

DIMENSIONAL VARIABLES

DRAWING NOT TO SCALE; DIMENSIONS IN INCHES

DOOR NO.	A	B	C	F	M	K1	K	H
MILLIMETERS								

ACTUAL DOOR SIZE IS PRODUCED IN MILLIMETERS
 REQUESTED DOOR SIZE IS CONVERTED TO MILLIMETERS
 AND ROUNDED UP TO THE NEAREST 10MM

ELECTRICAL OPTIONS

- 460v - 3ph
- 230v/208v - 3ph
- 230v - 1ph
- 480v OPEN DELTA, UNGROUNDED (\$)
- 575v - 3ph (\$)
 (INCLUDES NEMA 4 METAL ENCLOSURE WITH 575/460 TRANSFORMER)

STANDARD FEATURES

1. ONE THRU-BEAM PHOTOEYE SET MOUNTED IN SIDE COLUMN AT 16" FROM FLOOR-FACTORY INSTALLED.
2. ONE THRU-BEAM PHOTOEYE SET-FIELD INSTALLED.
3. VARIABLE DOOR OPENING SPEED; UP TO 60"/SEC
4. DOOR CLOSING SPEED OF 24"/SECOND
5. PROGRAMMABLE UPPER AND LOWER LIMITS
6. SYSTEM 4 CONTROL BOX (8 1/2"x16 1/2")
7. BRAKE RELEASE LEVER ON SIDE COLUMN
8. ELECTRICAL FAIL SAFE REVERSING EDGE.
9. HEAVY DUTY ROLLERS AND GUIDE TRACK
10. CARBON STEEL POWDER COATED HEAD & SIDE COLUMN COMPONENTS
11. INSULATED PANEL SLATS
12. DOOR APPROVED FOR USE IN AND OUTSIDE HVHZ
13. DOOR APPROVED FOR LARGE MISSILE IMPACT
14. REGISTERED BY FBC APPROVAL # FL28502-R3
15. REGISTERED BY MIAMI DADE NOA # 23-0929.05
16. CONCRETE ANCHORS TO BE 1/2" DIA. X 4-1/2" LONG, RED HEAD ITW TRUBOLT WEDGE OR HILTI KWIK BOLT 4 EXPANSION ANCHORS. SHALL BE INSTALLED FOLLOWING ALL RECOMMENDATIONS AND SPECS OF THE ANCHOR MANUFACTURER. ANCHORS TO BE INSTALLED IN MIN. 4000PSI CONCRETE WITH MIN. EMBEDMENT OF 2-1/4".

STANDARD OPTIONS

- RIGHT HAND DRIVE
- REMOTE MOUNTED EGRESS LEVER (\$)
- BTA4 (BLUETOOTH ACCESS TERMINAL) (\$)
 NIGHT SWITCH FUNCTION: _____

ACTIVATION OPTIONS (\$)

- PRESENSE SENSOR
- PULLCORDS
- RADIO CONTROL w/2 X-MITTERS
- MOTION DETECTOR
- PUSHBUTTON
- FLOOR LOOP CONTROLLER
- OTHERS (DESCRIBE IN NOTES)

OPTION NOTES

(\$) = PRICING CHANGE IF NOT INCLUDED IN QUOTE

— PATHWATCH SAFETY SYSTEM

PLEASE SPECIFY VOLTAGE

RYTEC CORPORATION

ONE CEDAR PARKWAY, JACKSON, WI 53037-0403

APPROVAL DRAWING

SPIRAL-HZ LOW HEADROOM

FOR DOOR WIDTH UP TO 16'-0", HEIGHT UP TO 16'-4"

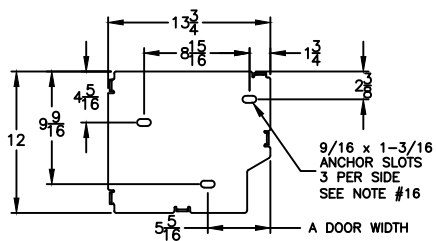
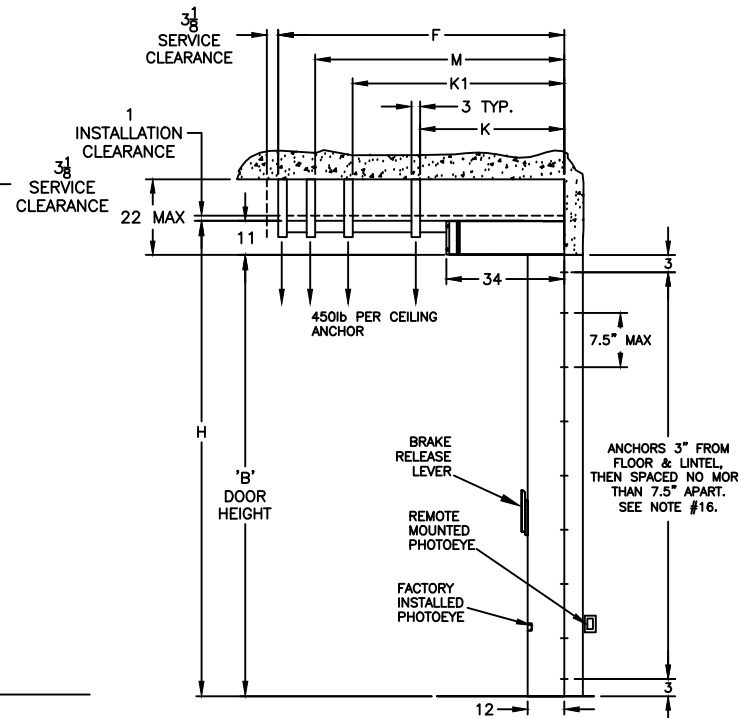
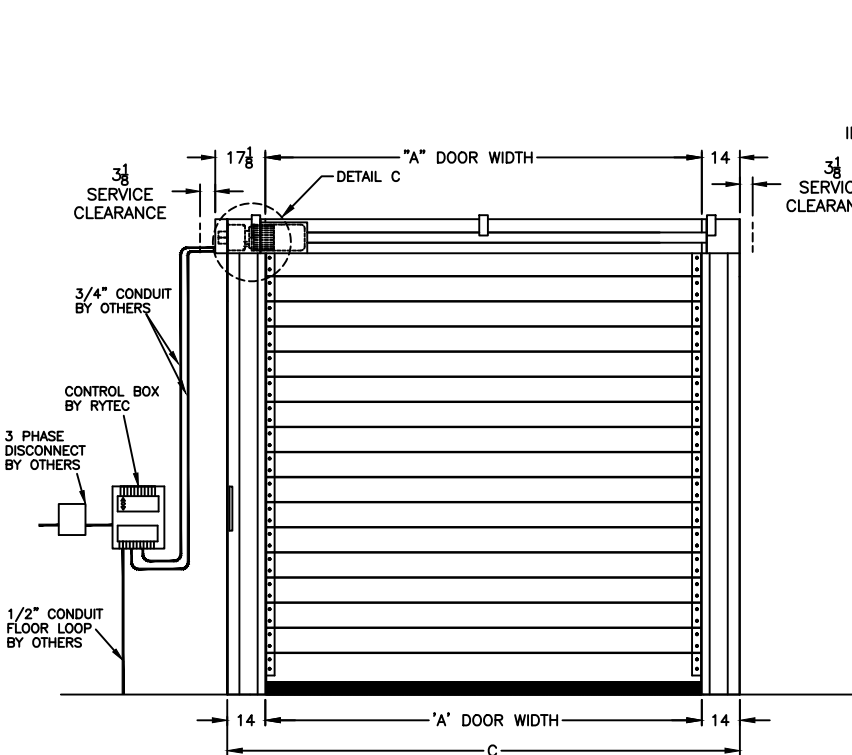
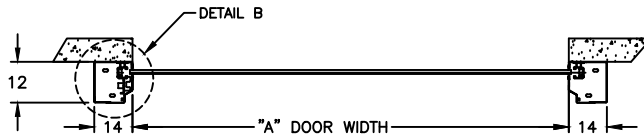
CUSTOMER: _____

LOCATION: _____

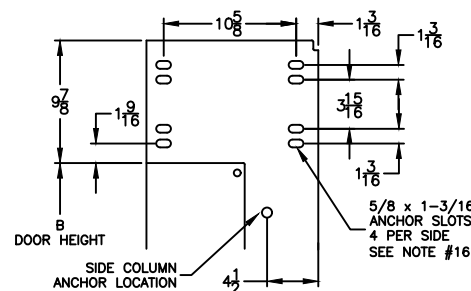
DATE: _____

DRAWING NO.: 728-01T

REV.: A



DETAIL B



DETAIL C

HANGER FORMULAS

- K = NOT REQUIRED; FOR B<99
K = 72; FOR B>=99
- K1 = NOT REQUIRED; FOR B<161
K1 = 135; FOR B>161
- M = B+20; FOR B<91
M = B; FOR B>91
- F = B+31; FOR B<91
F = B+11; FOR B>91

FINAL APPROVAL SIGNATURE

FABRICATION CAN PROCEED ACCORDING TO THE SPECIFICATION SHOWN EXCEPT AS NOTED

APPROVED BY: _____

PRINT NAME: _____

SIGNATURE: _____

DATE: _____

REV	DESCRIPTION	DATE	BY
02	UPDATED FOR CURRENT APPROVALS	12/19/23	JMM