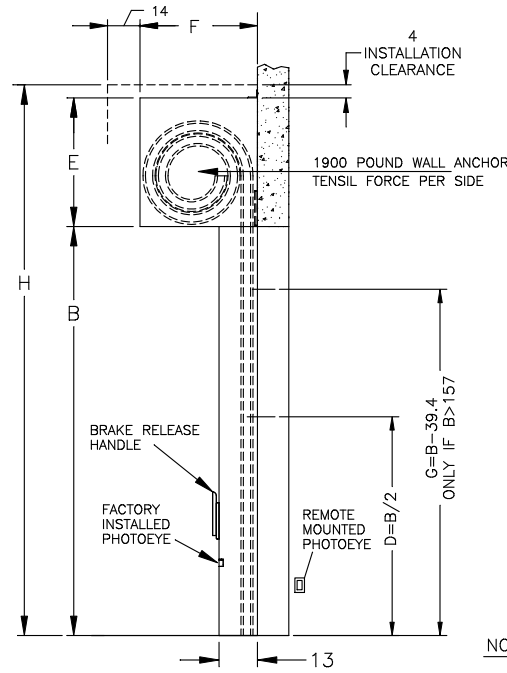
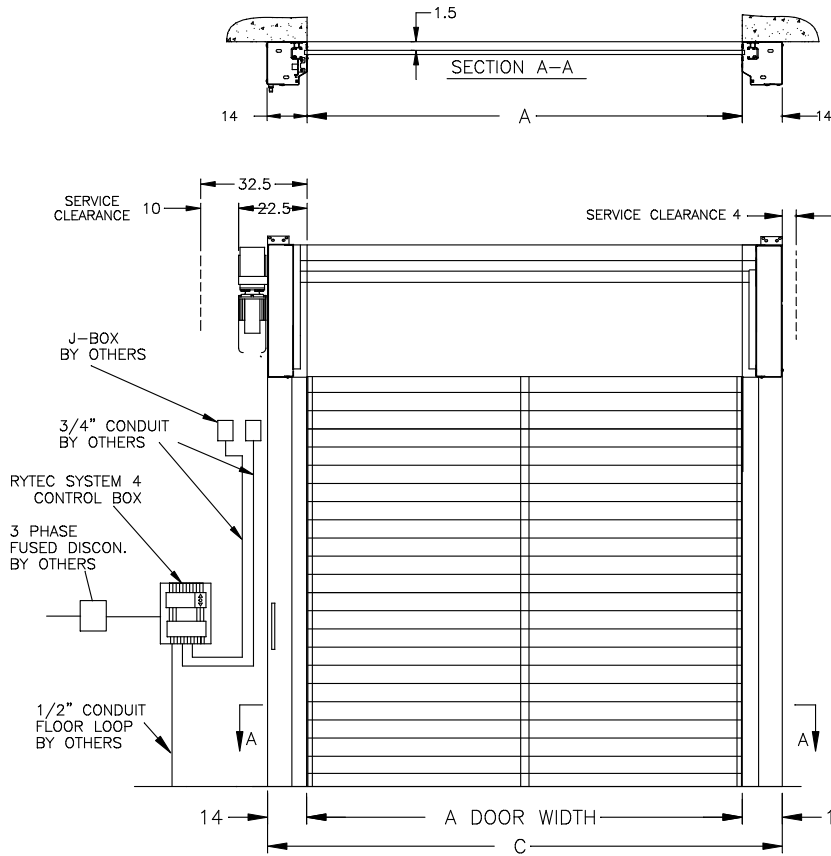


DRAWING NOT TO SCALE, ALL DIMENSIONS IN INCHES

DOOR NO.	A	B	C	D	E	F	G	X	VOLTAGE	PHASE	H.P.	H
									460	3	3	

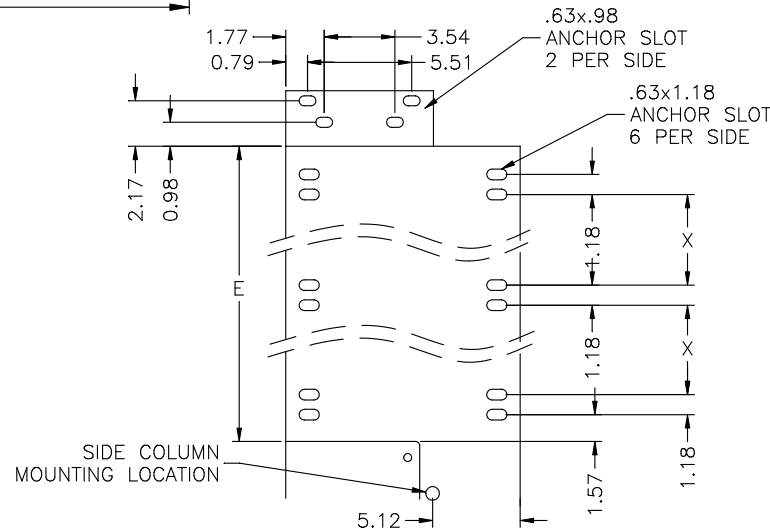
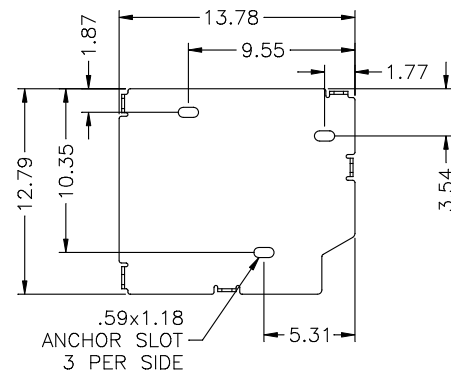
DOOR HEIGHT	E	F	X
<= 193"	37	38	13.68
>193" <= 244"	41	41	15.35
>244" <= 307"	43	45	16.69

NOTE!
 DOOR SIZE IS CONVERTED TO MILIMETERS FOR MANUFACTURING SIZE MAY BE ROUNDED UP TO NEAREST 10mm.
 ACTUAL MANUFACTURED SIZE IS:
 WIDTH "A":_XXXX_mm
 HEIGHT "B":_XXXX_mm



NOTES:

- ONE PHOTO EYES IN SIDE COLUMN - FACTORY INSTALLED
- ONE PHOTOEYE FOR FIELD INSTALLATION.
- VARIABLE DOOR OPENING SPEED UP TO 60" PER SECOND
- DOOR CLOSING SPEED OF 30" PER SECOND
- PROGRAMABLE UPPER AND LOWER LIMITS
- RYTEC SYSTEM 4 CONTROL BOX (8 1/2" x 16 1/2")
- BRAKE RELEASE LEVER ON SIDE COLUMN
- ELECTRIC FAIL SAFE REVERSING EDGE
- FULL WIDTH AND HEIGHT CLEAR PLASTIC PANELS



ACTIVATORS	QTY.	ACTIVATORS	QTY.
<input type="checkbox"/> PHOTOEYE	_____	<input type="checkbox"/> MOTION DETECTOR	_____
<input type="checkbox"/> PULLCORDS	_____	<input type="checkbox"/> PUSHBUTTON	_____
<input type="checkbox"/> RADIO CONTROL W/2 TRANSMITTERS	_____	<input type="checkbox"/> FLOOR LOOP CONTROLLER	_____
<input type="checkbox"/> ADDITIONAL TRANSMITTERS	_____	<input type="checkbox"/> OTHERS (DESCRIBE IN NOTES)	_____

- OPTIONS
- (1) 575x230V TRANSFORMER IN TYPE 3R ENCLOSURE PROVIDED
 - OTHERS (DESCRIBE IN NOTES)

RYTEC CORPORATION
 ONE CEDAR PARKWAY, JACKSON, WI 53037-0403

APPROVAL DRAWING

SPIRAL MODEL FV (STT-US) SYSTEM 4

FOOR DOORS WIDTH UP TO 26'-3", HEIGHT UP TO 25'-7"

CUSTOMER: _____

LOCATION: _____

DATE: 12/2/11 DEALER: _____ APPV'D BY: _____

DRAWING NO.: 401074-12T REV.: _____