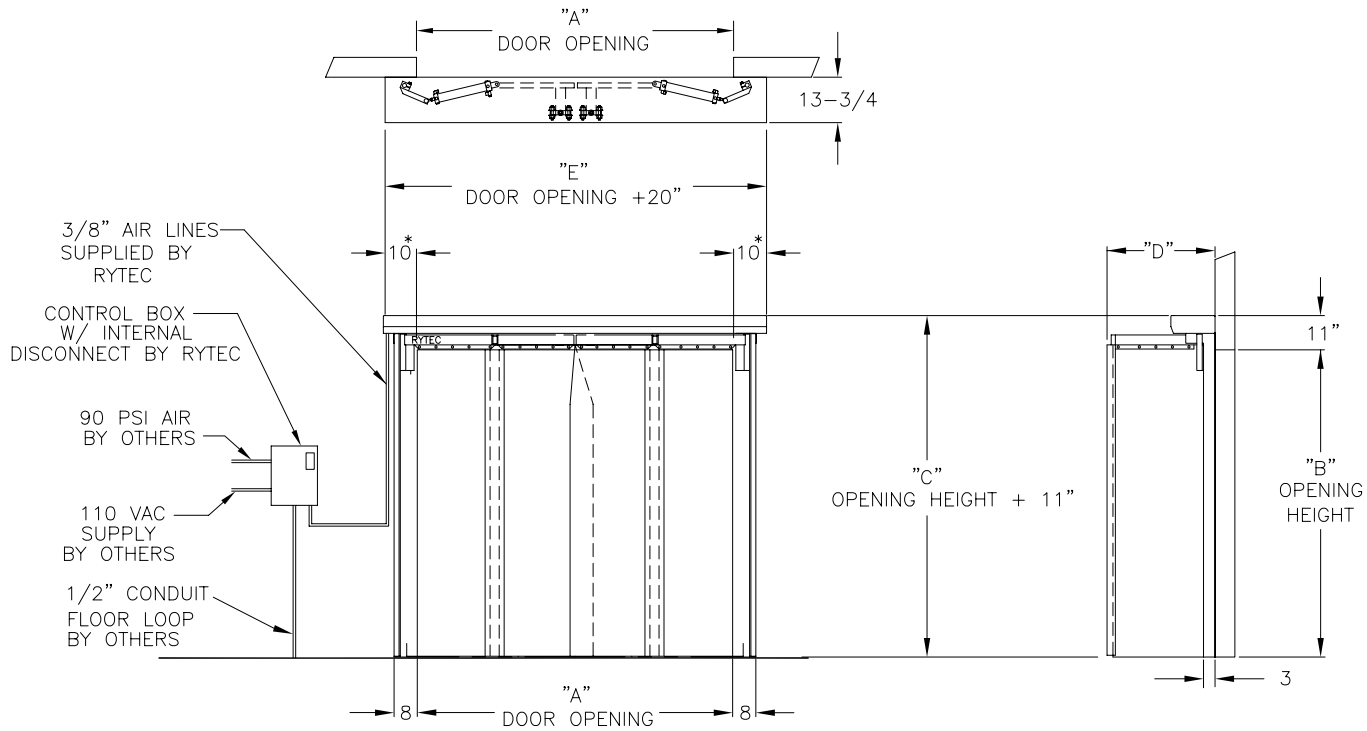


DRAWING NOT TO SCALE, ALL DIMENSIONS IN INCHES

DOOR NO.	A	B	C	D	E

* NOTE: 10" REQUIRED ON TOP



DOOR OPENING "A"	"D" DIM
5' - 0"	23"
6' - 0"	26"
7' - 0"	29"
8' - 0"	32"
9' - 0"	35"
10' - 0"	38"
11' - 0"	41"
12' - 0"	44"

FOR LARGER DOOR SIZES
CONSULT FACTORY

- | ACTIVATORS | QTY. | NOTES: |
|---|-------|--------|
| <input type="checkbox"/> PHOTOEYE | _____ | |
| <input type="checkbox"/> PULLCORDS | _____ | |
| <input type="checkbox"/> MOTION DETECTOR | _____ | |
| <input type="checkbox"/> RADIO CONTROL | _____ | |
| W/2 TRANSMITTERS | | |
| <input type="checkbox"/> ADDITIONAL | _____ | |
| TRANSMITTERS | | |
| <input type="checkbox"/> PUSHBUTTON | _____ | |
| <input type="checkbox"/> FLOOR LOOP | _____ | |
| <input type="checkbox"/> OTHERS (DESCRIBE IN NOTES) | | |

RYTEC CORPORATION	
FAST-FOLD® PNEUMATIC (FF4A)	
CUSTOMER: _____	
ADDRESS: _____	
DATE: _____	APPR'D BY: _____
FILE #: 4B002TEMP REV. C APPR'D DATE: _____	