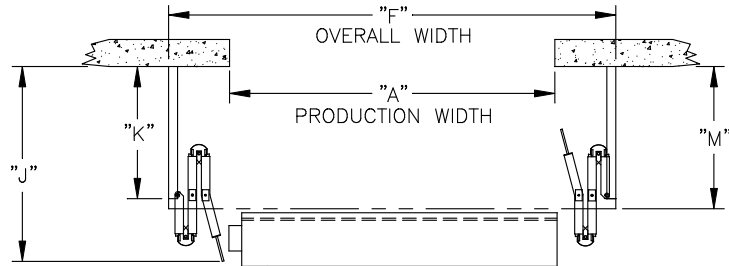
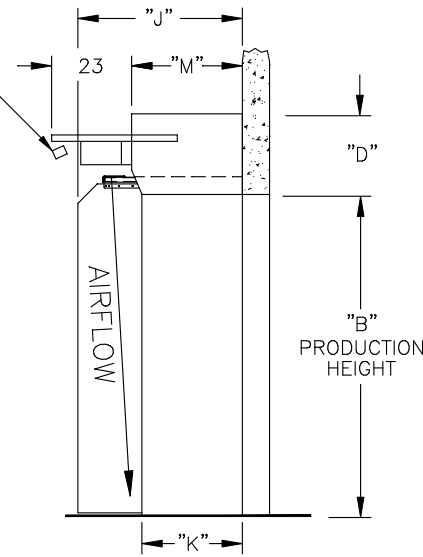
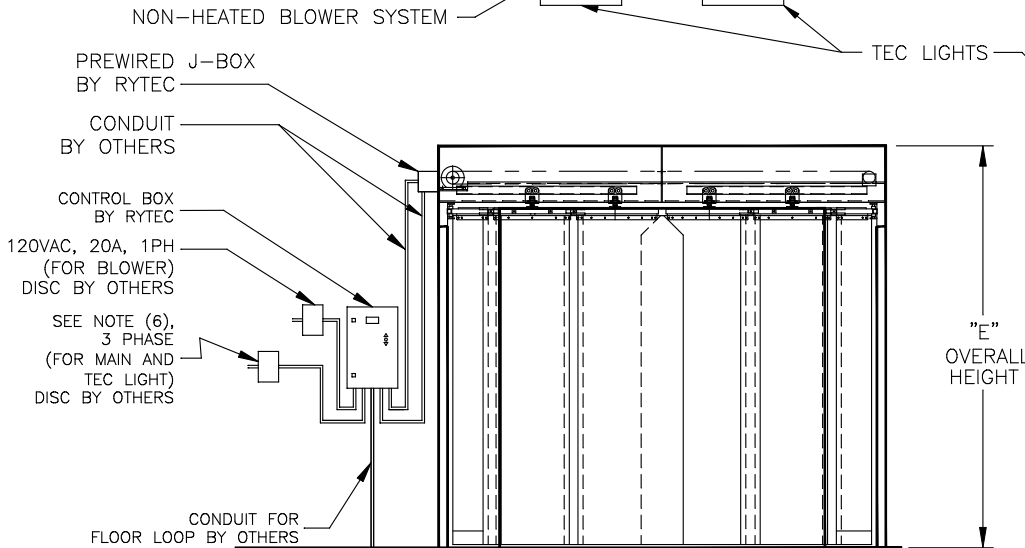


DRAWING NOT TO SCALE, ALL DIMENSIONS IN INCHES

DOOR NO.	A	B	C1	C2	D	E	F	J	K	M	VOLTAGE	PHASE	HP



NOTE: RYTEC CORP. DOES NOT GUARANTEE A FROST FREE DOOR. THE RANGE OF THE TEC-LIGHTS ALONE IS APPROXIMATELY 10 VERTICAL FEET. WITH THE NON HEATED BLOWER SYSTEM HOWEVER, THE AMOUNT OF FROST IS GREATLY REDUCED AND THE DEFROST RANGE EXPANDED TO APPROXIMATELY 14 FEET. DEPENDING ON SITE CONDITIONS AND RELATIVE HUMIDITY IT IS POSSIBLE FOR FROST TO BUILD UP ON THE LOWER PORTION OF THE DOOR PANELS.



- NOTES:
- 1) SYSTEM 4 - AC DRIVE
 - 2) CONTROL BOX TO BE MOUNTED ON WARM SIDE.
 - 3) TURN ARMS W/SEALS.
 - 4) INSULATED SIDE PANELS WITH THERMAL BREAK.
 - 5) 1,2 & 5,6 INTEGRAL PANELS WITH 1&6 INSULATED.
 - 6) 208 & 230V REQUIRES 50 AMP SERVICE
460 & 575V REQUIRES 30 AMP SERVICE.

DRAWING DEPICTS WARM SIDE DOOR MOUNTING

- | ACTIVATORS | QTY. |
|---|-------|
| <input type="checkbox"/> PHOTOEYE | _____ |
| <input type="checkbox"/> PULLCORDS | _____ |
| <input type="checkbox"/> MOTION DETECTOR | _____ |
| <input type="checkbox"/> RADIO CONTROL | _____ |
| W/2 TRANSMITTERS | _____ |
| <input type="checkbox"/> ADDITIONAL | _____ |
| TRANSMITTERS | _____ |
| <input type="checkbox"/> PUSHBUTTON | _____ |
| <input type="checkbox"/> FLOOR LOOP | _____ |
| <input type="checkbox"/> OTHERS (DESCRIBE IN NOTES) | _____ |

- OPTIONS
- HEAD PREWIRED RIGHT (LEFT IS STANDARD)
 - 3&4 CENTER PANELS WITH MAGNETS
 - 575/460V STEP DOWN TRANSFORMER INCLUDED IN RYTEC CONTROL BOX
 - OTHERS (DESCRIBE IN NOTES)

RYTEC CORPORATION	
<i>FAST FOLD® (EXT. FREEZER FF6RCS) w/LIGHTS AND UNHEATED BLOWER, SYSTEM 4</i>	
CUSTOMER: _____	
ADDRESS: _____	
DATE: 12/5/11 _____	APPR'D BY: _____
FILE #: 401014-06T REV. -	APPR'D DATE: _____