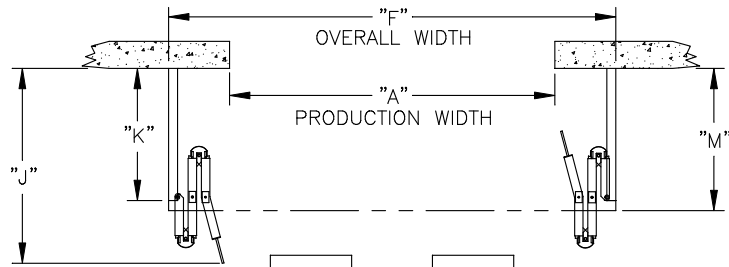
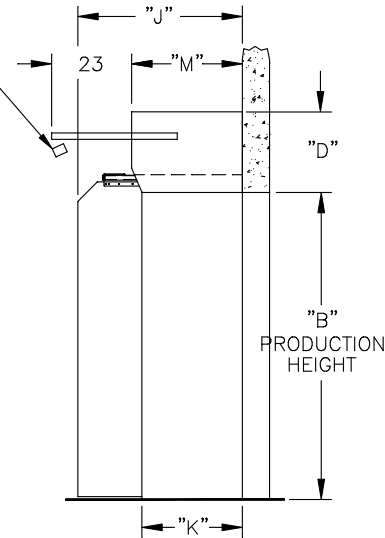
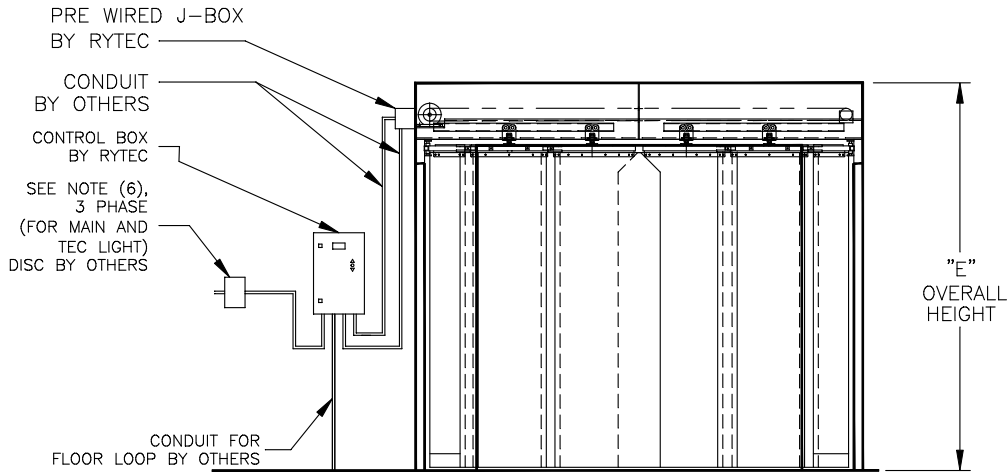


DRAWING NOT TO SCALE, ALL DIMENSIONS IN INCHES

DOOR NO.	A	B	C1	C2	D	E	F	J	K	M	VOLTAGE	PHASE	HP



NOTE:
RYTEC CORP. DOES NOT GUARANTEE A FROST FREE DOOR. THE RANGE OF THE TEC LIGHTS IS APPROXIMATELY TEN (10) VERTICAL FEET. DEPENDING ON SITE CONDITIONS AND RELATIVE HUMIDITY IT IS POSSIBLE FOR FROST TO BUILD UP ON THE DOOR PANELS.



- NOTES:
- 1) SYSTEM 4 - AC DRIVE
 - 2) CONTROL BOX TO BE MOUNTED ON WARM SIDE.
 - 3) TURN ARMS W/SEALS.
 - 4) INSULATED SIDE PANELS WITH THERMAL BREAK.
 - 5) 1,2 & 5,6 INTEGRAL PANELS WITH 1&6 INSULATED.
 - 6) 208 & 230V REQUIRES 50 AMP SERVICE
460 & 575V REQUIRES 30 AMP SERVICE.

DRAWING DEPICTS WARM SIDE DOOR MOUNTING

- | ACTIVATORS | QTY. |
|---|-------|
| <input type="checkbox"/> PHOTOEYE | _____ |
| <input type="checkbox"/> PULLCORDS | _____ |
| <input type="checkbox"/> MOTION DETECTOR | _____ |
| <input type="checkbox"/> RADIO CONTROL | _____ |
| W/2 TRANSMITTERS | _____ |
| <input type="checkbox"/> ADDITIONAL | _____ |
| TRANSMITTERS | _____ |
| <input type="checkbox"/> PUSHBUTTON | _____ |
| <input type="checkbox"/> FLOOR LOOP | _____ |
| <input type="checkbox"/> OTHERS (DESCRIBE IN NOTES) | _____ |

- OPTIONS
- HEAD PREWIRED RIGHT (LEFT IS STANDARD)
 - 3&4 CENTER PANELS WITH MAGNETS
 - 575/460V STEP DOWN TRANSFORMER INCLUDED IN RYTEC CONTROL BOX
 - OTHERS (DESCRIBE IN NOTES)

RYTEC CORPORATION

FAST FOLD[®] (EXT. FREEZER FF6RGS) w/LIGHTS, SYSTEM 4

CUSTOMER: _____

ADDRESS: _____

DATE: 12/5/11 APPR'D BY: _____

FILE #: 401014-00T REV. - APPR'D DATE: _____