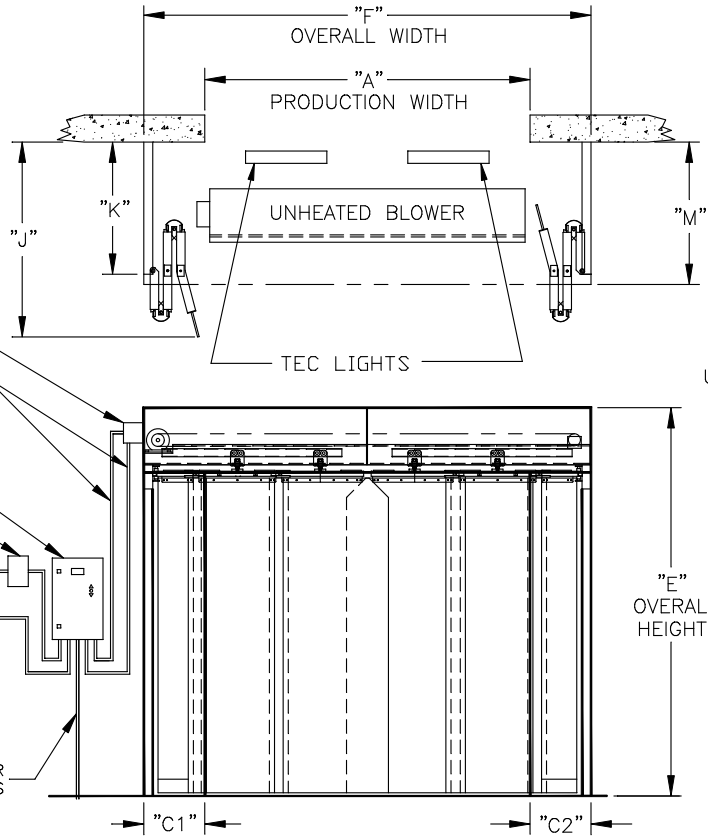


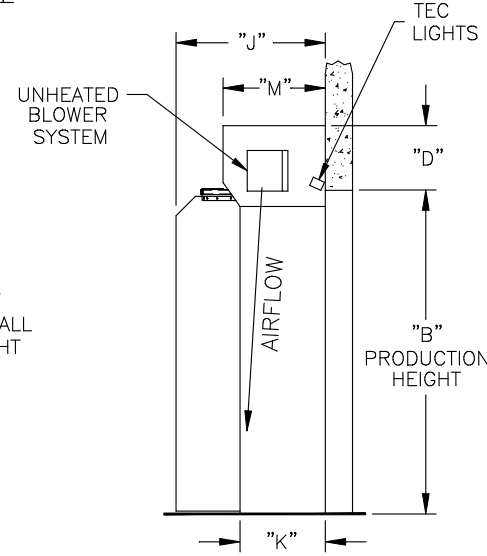
DRAWING NOT TO SCALE, ALL DIMENSIONS IN INCHES

DOOR NO.	A	B	C1	C2	D	E	F	J	K	M	VOLTAGE	PHASE	HP



PREWIRED J-BOX BY RYTEC
 CONDUIT BY OTHERS
 CONTROL BOX BY RYTEC
 120VAC, 20A, 1PH (FOR BLOWER) DISC BY OTHERS
 SEE NOTE (6), 3 PHASE (FOR MAIN AND TEC LIGHT) DISC BY OTHERS
 CONDUIT FOR FLOOR LOOP BY OTHERS

NOTE:
 RYTEC CORP. DOES NOT GUARANTEE A FROST FREE DOOR. THE RANGE OF THE TEC-LIGHTS ALONE IS APPROXIMATELY 10 VERTICAL FEET. WITH THE NON HEATED BLOWER SYSTEM HOWEVER, THE AMOUNT OF FROST IS GREATLY REDUCED AND THE DEFROST RANGE IS EXPANDED TO APPROXIMATELY 14 FEET. DEPENDING ON SITE CONDITIONS AND RELATIVE HUMIDITY IT IS POSSIBLE FOR FROST TO BUILD UP ON THE LOWER PORTION OF THE DOOR PANELS.



- NOTES:
- 1) SYSTEM 4 - AC DRIVE
 - 2) CONTROL BOX TO BE MOUNTED ON WARM SIDE.
 - 3) TURN ARMS W/SEALS.
 - 4) INSULATED SIDE PANELS WITH THERMAL BREAK.
 - 5) 1,2 & 5,6 INTEGRAL PANELS WITH 1&6 INSULATED.
 - 6) 208 & 230V REQUIRES 50 AMP SERVICE
 460 & 575V REQUIRES 30 AMP SERVICE.

DRAWING DEPICTS COLD SIDE DOOR MOUNTING

ACTIVATORS	QTY.	OPTIONS
<input type="checkbox"/> PHOTOEYE	_____	<input type="checkbox"/> HEAD PREWIRED RIGHT (LEFT IS STANDARD)
<input type="checkbox"/> PULLCORDS	_____	<input type="checkbox"/> 3&4 CENTER PANELS WITH MAGNETS
<input type="checkbox"/> MOTION DETECTOR	_____	<input type="checkbox"/> 575/460V STEP DOWN TRANSFORMER INCLUDED IN RYTEC CONTROL BOX
<input type="checkbox"/> RADIO CONTROL W/2 TRANSMITTERS	_____	<input type="checkbox"/> OTHERS (DESCRIBE IN NOTES)
<input type="checkbox"/> ADDITIONAL TRANSMITTERS	_____	
<input type="checkbox"/> PUSHBUTTON	_____	
<input type="checkbox"/> FLOOR LOOP	_____	
<input type="checkbox"/> OTHERS (DESCRIBE IN NOTES)	_____	

RYTEC CORPORATION	
FAST FOLD® (FF6RGS) W/LIGHTS & UNHEATED BLOWER, SYSTEM 4	
CUSTOMER: _____	
ADDRESS: _____	
DATE: 12/5/11 _____	APPR'D BY: _____
FILE #: 401014-02T REV. - APPR'D DATE: _____	