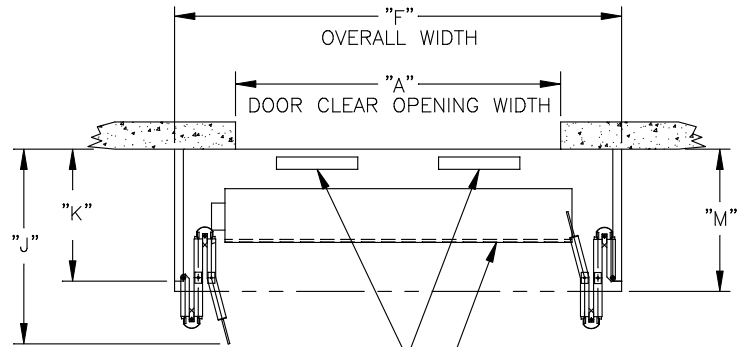
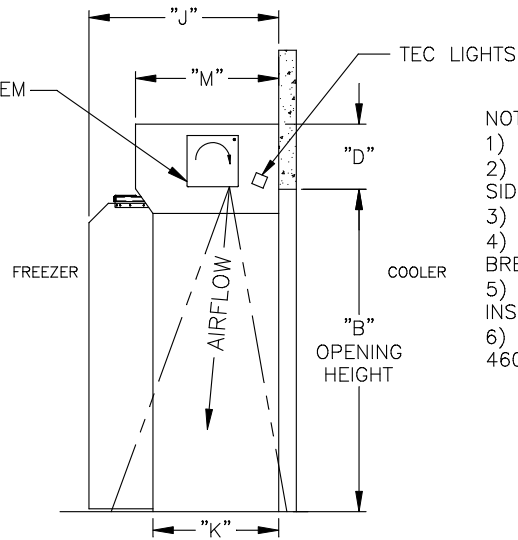
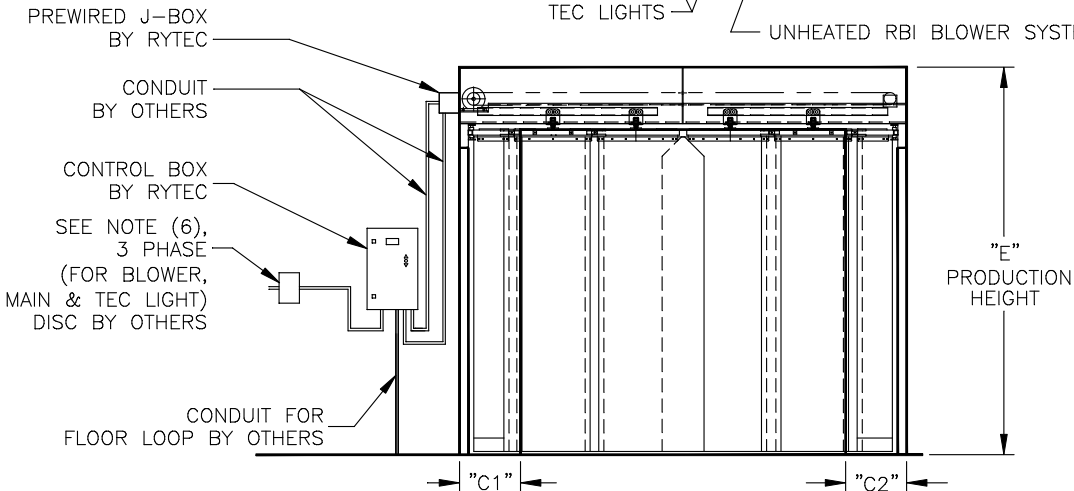


DRAWING NOT TO SCALE, ALL DIMENSIONS IN INCHES

DOOR NO.	A	B	C1	C2	D	E	F	J	K	M	VOLTAGE	PHASE	HP



NOTE:  
RYTEC CORP. DOES NOT GUARANTEE A FROST FREE DOOR. THE RANGE OF THE TEC-LIGHTS ALONE IS APPROXIMATELY 10 VERTICAL FEET. WITH THE NON HEATED BLOWER SYSTEM HOWEVER, THE AMOUNT OF FROST IS GREATLY REDUCED AND THE DEFROST RANGE IS EXPANDED TO APPROXIMATELY 16 FEET. DEPENDING ON SITE CONDITIONS AND RELATIVE HUMIDITY IT IS POSSIBLE FOR FROST TO BUILD UP ON THE LOWER PORTION OF THE DOOR PANELS.



- NOTES:
- 1) SYSTEM 4 - AC DRIVE
  - 2) CONTROL BOX TO BE MOUNTED ON WARM SIDE.
  - 3) TURN ARMS W/SEALS.
  - 4) INSULATED SIDE PANELS WITH THERMAL BREAK.
  - 5) 1,2 & 5,6 INTEGRAL PANELS WITH 1&6 INSULATED.
  - 6) 208 & 230V REQUIRES 50 AMP SERVICE  
460 & 575V REQUIRES 30 AMP SERVICE.

*DRAWING DEPICTS COLD  
SIDE DOOR MOUNTING ONLY*

- | ACTIVATORS  | QTY.  | OPTIONS   |
|---|-------|---|
| <input type="checkbox"/> PHOTOEYE                   | _____ | <input type="checkbox"/> RIGHT HAND MOTOR               |
| <input type="checkbox"/> PULLCORDS                  | _____ | <input type="checkbox"/> 3&4 CENTER PANELS WITH MAGNETS |
| <input type="checkbox"/> MOTION DETECTOR            | _____ | <input type="checkbox"/> OTHERS (DESCRIBE IN NOTES)     |
| <input type="checkbox"/> RADIO CONTROL              | _____ |   |
| W/2 TRANSMITTERS                                    | _____ |   |
| <input type="checkbox"/> ADDITIONAL TRANSMITTERS    | _____ |   |
| <input type="checkbox"/> PUSHBUTTON                 | _____ |   |
| <input type="checkbox"/> FLOOR LOOP                 | _____ |   |
| <input type="checkbox"/> OTHERS (DESCRIBE IN NOTES) | _____ |   |

**RYTEC CORPORATION**

**FAST FOLD® (FF6RGS) W/LIGHTS & UNHEATED RBI BLOWER, SYSTEM 4**

CUSTOMER: \_\_\_\_\_

ADDRESS: \_\_\_\_\_

DATE: 12/5/11 \_\_\_\_\_ APPR'D BY: \_\_\_\_\_

FILE #: 401014-07REV. - APPR'D DATE: \_\_\_\_\_