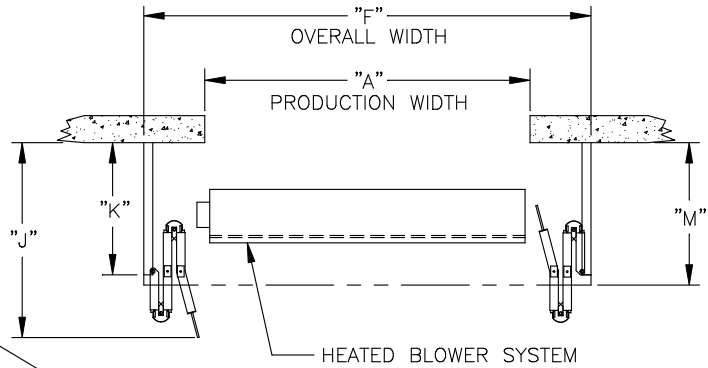
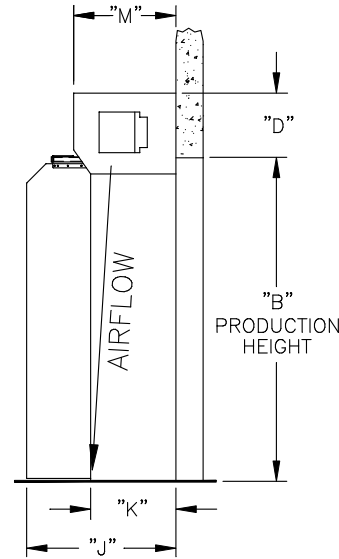
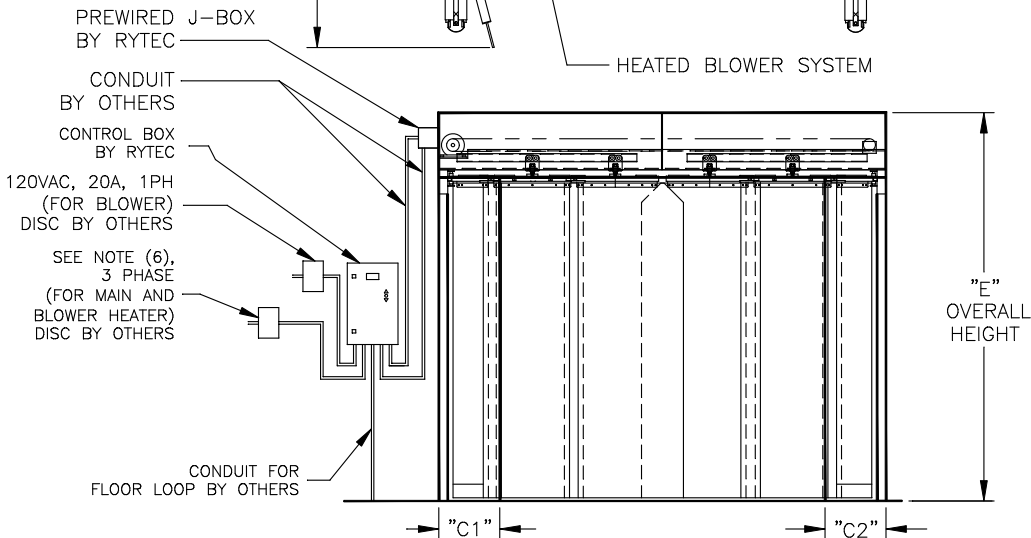


DRAWING NOT TO SCALE, ALL DIMENSIONS IN INCHES

DOOR NO.	A	B	C1	C2	D	E	F	J	K	M	VOLTAGE	PHASE	HP



NOTE: RYTEC CORPORATION DOES NOT GUARANTEE A 100% FROST FREE DOOR. WITH THE HEATED BLOWER SYSTEM HOWEVER, THE AMOUNT OF FROST IS GREATLY REDUCED AND THE DEFROST RANGE EXPANDED TO APPROXIMATELY 16 FEET. DEPENDING ON SITE CONDITIONS AND RELATIVE HUMIDITY IT IS POSSIBLE FOR FROST TO FORM ON THE LOWER PORTION OF THE DOOR PANELS OR IN AREAS NOT COVERED BY THE AIR FLOW.



- NOTES:
- 1) SYSTEM 4 - AC DRIVE
 - 2) CONTROL BOX TO BE MOUNTED ON WARM SIDE.
 - 3) TURN ARMS W/SEALS.
 - 4) INSULATED SIDE PANELS WITH THERMAL BREAK.
 - 5) 1,2 & 5,6 INTEGRAL PANELS WITH 1&6 INSULATED.
 - 6) 45 AMP SERVICE REQUIRED IF "A" < 93"
60 AMP SERVICE REQUIRED IF "A" ≥ 93".

DRAWING DEPICTS COLD SIDE DOOR MOUNTING

ACTIVATORS	QTY.	OPTIONS
<input type="checkbox"/> PHOTOEYE	_____	<input type="checkbox"/> HEAD PREWIRED RIGHT (LEFT IS STANDARD)
<input type="checkbox"/> PULLCORDS	_____	<input type="checkbox"/> 3&4 CENTER PANELS WITH MAGNETS
<input type="checkbox"/> MOTION DETECTOR	_____	<input type="checkbox"/> 575/460V STEP DOWN TRANSFORMER INCLUDED IN RYTEC CONTROL BOX
<input type="checkbox"/> RADIO CONTROL W/2 TRANSMITTERS	_____	<input type="checkbox"/> OTHERS (DESCRIBE IN NOTES)
<input type="checkbox"/> ADDITIONAL TRANSMITTERS	_____	
<input type="checkbox"/> PUSHBUTTON	_____	
<input type="checkbox"/> FLOOR LOOP	_____	
<input type="checkbox"/> OTHERS (DESCRIBE IN NOTES)	_____	

RYTEC CORPORATION

FAST FOLD® (FF6RGS) W/HEATED BLOWER, SYSTEM 4

CUSTOMER: _____

ADDRESS: _____

DATE: 12/5/11 _____ APPR'D BY: _____

FILE #: 401014-01T REV. - APPR'D DATE: _____