

R Y T E C

PredaDoor®

NXT®

Owner's Manual



P.O. Box 403, One Cedar Parkway, Jackson, WI 53037

Phone 262-677-9046 Fax 262-677-2058

Rytec website: www.rytecdoors.com

Rytec E-mail: helpdesk@rytecdoors.com, Parts E-mail: parts@rytecdoors.com

[Revision: AD (2020-02-21), R1060169-0, ©Rytec Corporation 2020

PREDADOOR® NXT®, PD5000 NXT, PD5500 NXT LIMITED WARRANTY

Rytec Corporation ("Seller"), an Illinois corporation with its principal place of business at One Cedar Parkway, PO Box 403, Jackson, WI 53037, warrants to the original registered end-user commercial purchaser ("Buyer") that the **Predadoor® NXT®** ("Product") sold to the Buyer will be free of defects in materials and workmanship (ordinary wear and tear excepted) for the time periods set forth below:

- **Mechanical** components for a period of **Five (5) Years** from the date of shipment of the Product from the Seller's plant ("Shipment"). Note: **Motor Assembly** is a mechanical component.
- **Electrical** components for a period of **Two (2) Years** from Shipment.
- **Door panels**
 - 2-ply Rylon™, 2-Ply USDA, and 3-Ply Rylon™** for a period of **Five (5) Years** from Shipment.
 - Vinyl**, for a period of **One (1) Year** from Shipment.
 - Screen, windows**, for a period of **One (1) Year** from Shipment.
- **Coil cords, brush or vinyl seals, side column wear strips, side column self-repair guides, vinyl loop seal, wireless mobile unit battery** are considered wear items and are not covered under this Limited Warranty.
- **Aftermarket parts, accessories, and assemblies** for a period of **Ninety (90) Days** from the date of Shipment.

Remedies. Seller's obligation under this Limited Warranty is limited to repairing or replacing, at Seller's option, any part which is determined by Seller to be defective during the applicable warranty period. Such repair or replacement shall be the Seller's sole obligation and the Buyer's exclusive remedy under this Limited Warranty.

Labor. Except in the case of aftermarket parts, accessories, and assemblies, labor is warranted for one year. This means that Seller will provide warranty service without charge for labor in the first year of the warranty period. Thereafter, a charge will apply in to any repair or replacement under this Limited Warranty. In the case of aftermarket parts, accessories, and assemblies, Seller will provide replacement parts only.

Claims. Claims under this Limited Warranty must be made (i) within 30 (thirty) days after discovery and (ii) prior to expiration of the applicable warranty period. Claims shall be made in writing delivered to the Seller at the address provided in the first paragraph of this warranty. Buyer must allow Seller and Dealer, or their agents, a reasonable opportunity to inspect any Product claimed to be defective and shall, at Seller's option, either (x) grant Seller and Dealer or their agents access to Buyer's premises for the purpose of repairing or replacing the Product or (y) return of the Product to the Seller, f.o.b. Seller's factory.

Original Buyer. This Limited Warranty is made to the original Buyer of the Product and is not assignable or transferable. This Limited Warranty shall not be altered or amended except in a written instrument signed by Buyer and Seller.

Not Warranted. Seller does not warrant against and is not responsible for, and no implied warranty shall be deemed to cover, damages that result directly or indirectly from: (i) the unauthorized modification or repair of the Product, (ii) damage due to misuse, neglect, accident, failure to provide necessary maintenance, or normal wear and tear of the Product, (iii) failure to follow Seller's instructions for

installation, operation, or maintenance of the Product, (iv) use of the Product in a manner that is inconsistent with Seller's guidelines or local building codes, (v) movement, settling, distortion, or collapse of the ground, or of improvements to which the Products are affixed, (vi) fire, flood, earthquake, elements of nature or acts of God, riots, civil disorder, war, or any other cause beyond the reasonable control of Seller, (vii) improper handling, storage, abuse, or neglect of the Product by Buyer or by any third party.

DISCLAIMERS. THIS WARRANTY IS EXCLUSIVE AND IN LIEU OF ALL OTHER REPRESENTATIONS AND WARRANTIES, EXPRESS OR IMPLIED, AND THE SELLER EXPRESSLY DISCLAIMS AND EXCLUDES ANY IMPLIED WARRANTIES OF MERCHANTABILITY OR FITNESS FOR PURPOSE. SELLER SHALL NOT BE SUBJECT TO ANY OTHER OBLIGATIONS OR LIABILITIES, WHETHER ARISING OUT OF BREACH OF CONTRACT, WARRANTY, TORT (INCLUDING NEGLIGENCE AND STRICT LIABILITY) OR OTHER THEORIES OF LAW, WITH RESPECT TO THE PRODUCTS SOLD OR SERVICES RENDERED BY THE SELLER, OR ANY UNDERTAKINGS, ACTS, OR OMISSIONS RELATING THERETO.

LIMITATION OF LIABILITY. IN NO EVENT WILL SELLER BE RESPONSIBLE FOR, OR LIABLE TO ANY- ONE FOR, SPECIAL, INDIRECT, COLLATERAL, PUNITIVE, INCIDENTAL, OR CONSEQUENTIAL DAM- AGES, EVEN IF SELLER HAS BEEN ADVISED OF THE POSSIBILITY OF SUCH DAMAGES. Such excluded damages include, but are not limited to, personal injury, damage to property, loss of goodwill, loss of profits, loss of use, cost of cover with any substitute product, interruption of business, or other similar indirect financial loss.

Product Descriptions. Any description of the Products, whether in writing or made orally by the Seller or the Seller's agents, including specifications, samples, models, bulletins, drawings, diagrams, engineering or similar materials used in connection with the Buyer's order, are for the sole purpose of identifying the Product and shall not be construed as an express warranty. Any suggestions by the Seller or the Seller's agents regarding the use, application, or suitability of the Product shall not be construed as an express warranty unless confirmed to be such in writing by the Seller.

Limited Warranty Void. This Limited Warranty shall be void in its entirety if:

- a. The Product is modified in a manner not approved in writing by Seller; or
- b. Buyer fails to maintain the Product in accordance with instructions contained in the Owner's Manual for the Product.

TABLE OF CONTENTS

	PAGE
INTRODUCTION	1
HOW TO USE MANUAL	1
DOOR SERIAL NUMBER(S)	1
GENERAL ARRANGEMENT OF DOOR COMPONENTS	2
OPERATION	2
OPERATING CONTROL SYSTEM	2
Automatic Mode of Operation	2
Manual Mode of Operation	2
OPEN AND CLOSE DOOR LIMIT POSITIONS	2
Close Limit Position.....	2
Open Limit Position	3
GENERAL	3
PHOTO EYES	3
System Reset — Photo Eyes.....	3
DOOR BOTTOM BAR ASSEMBLY	4
Breakaway Capability	4
IMPACT	4
RESET BOTTOM BAR ASSEMBLY	4
Reversing Edge	4
SYSTEM RESET — DOOR PANEL REVERSING EDGE	5
POWER DRIVE SYSTEM	5
MOVE THE DOOR MANUALLY	5
Lower the Door.....	5
Raise the Door.....	6
SAMPLE OBJECT LIST	6
PLANNED MAINTENANCE	8
RECOMMENDED INSPECTION SCHEDULE	8
DAILY INSPECTION	8
Visual Damage Inspection.....	8
Door Operation Inspection	8
Bottom Bar Reversing Edge Inspection	9
Photo Eye Inspection.....	9
PHOTO EYE SYSTEM TESTING.....	9

TABLE OF CONTENTS

	PAGE
CLEANING PHOTO EYES	10
Vision Panel Inspection	10
ROUTINE CLEANING	10
QUARTERLY INSPECTION	11
Mounting Hardware Inspection	11
MOTOR MOUNTING HARDWARE	11
ENCODER MOUNTING HARDWARE (ABM MOTOR ASSY SHOWN).....	11
SIDE COLUMN MOUNTING HARDWARE.....	11
BEARING BLOCK MOUNTING HARDWARE.....	12
Door Panel/Fabric Inspection.....	12
Door Limit Inspection	13
CLOSE LIMIT	13
OPEN LIMIT	13
Motor Brake Inspection	13
Bottom Bar Inspection.....	13
Breakaway Tab Kill Switch Inspection	14
Lubrication Inspection.....	14
FLANGED BEARING.....	14
SEW MOTOR GEARBOX ASSEMBLY.....	15
ABM MOTOR GEARBOX ASSEMBLY	15
Brush Seal Inspection	15
HEADER ASSEMBLY	15
SIDE COLUMNS	16
Electrical/Control Panel Inspection	16
Safety Decals Inspection	17
Wireless Antenna Inspection	17
ADJUSTMENTS	17
DOOR LIMIT POSITIONS	17
Close-Limit Position	17
Open-Limit Position	18
PNEUMATIC REVERSING EDGE SWITCH ADJUSTMENT	18
Reversing Edge Switch Air Bleed Check	18
Reversing Edge Switch Sensitivity Adjustment.....	19
BREAKAWAY PNEUMATIC KILL SWITCH ADJUSTMENT.....	19

TABLE OF CONTENTS

	PAGE
Kill Switch Air Bleed Adjustment.....	19
Kill Switch Sensitivity Adjustment.....	20
Wireless Reversing Edge	20
PHOTO EYE ALIGNMENT.....	21
DOOR PANEL ROLL ASSEMBLY ADJUSTMENT	22
MOTOR BRAKE ADJUSTMENT.....	22
SEW Motor Brake Adjustment.....	22
ABM Motor Brake Adjustment.....	23
REPLACEMENT PROCEDURES.....	23
WEATHER SEAL	23
Header Assembly	24
Side Columns	25
PARTS LIST	26
PARTS ORDERING INFORMATION	26
How to Order Parts	26
Substitute Parts	26
Return of Parts	26
RYTEC TECHNICAL KNOWLEDGE CENTER.....	26
PREDADOOR ASSEMBLY-LAYOUT	27
PREDADOOR DOOR ASSEMBLY-LAYOUT	28
PREDADOOR ASSEMBLY-LAYOUT BOM.....	29
SIDE COLUMN ASSEMBLY	30
SIDE COLUMN ASSEMBLY BOM.....	31
FRONT/REAR PHOTO EYES & CABLES	32
FRONT/REAR PHOTO EYES & CABLES BOM.....	33
WIRELESS ANTENNA BRACKET & ENCODER ASSEMBLY	34
WIRELESS ANTENNA BRACKET & ENCODER ASSEMBLY BOM.....	35
DRIVE, ROLL, & PANEL ASSEMBLY.....	36
DRIVE, ROLL, & PANEL ASSEMBLY BOM	37
PANEL ASSEMBLY	38
PANEL ASSEMBLY BOM.....	39
BOTTOM BAR ASSEMBLY.....	40
BOTTOM BAR ASSEMBLY BOM.....	42

TABLE OF CONTENTS

	PAGE
END BLOCK ASSEMBLIES	44
END BLOCK ASSEMBLIES BOM	45
HOOD COVER ASSEMBLY-ALUMINUM/STAINLESS STEEL	46
HOOD COVER ASSEMBLY-ALUMINUM/STAINLESS STEEL BOM	49
MOTOR COVER-ALUMINUM/STAINLESS STEEL ASSEMBLY	50
MOTOR COVER-ALUMINUM/STAINLESS STEEL ASSEMBLY BOM.....	51
HOOD & MOTOR COVER-PLEX STYLE ASSEMBLY	52
HOOD & MOTOR COVER-PLEX STYLE ASSEMBLY BOM	54

INTRODUCTION

The information contained in this manual will allow you to operate and maintain your Rytec® PredaDoor® NXT® door in a manner which will ensure maximum life and trouble-free operation.

Any unauthorized changes to these procedures, or failure to follow the steps as outlined, will automatically void the warranty. Any changes to the working parts, assemblies, or specifications as written, which are not authorized by Rytec Corporation, will also cancel the warranty. The responsibility for the successful operation and performance of this door lies with the owner.

DO NOT OPERATE OR PERFORM MAINTENANCE ON THIS DOOR UNTIL YOU READ AND UNDERSTAND THE INSTRUCTIONS CONTAINED IN THIS MANUAL.

If you have any questions contact your Rytec representative or call the Rytec Technical Support Department at 800-628-1909. Always refer to the serial number of the door when calling the representative or Technical Support.

The wiring connections and schematics in this manual are for general information purposes only. A wiring schematic is provided with each individual door specifically covering the control panel and electrical components of that door. The schematic for a specific door is shipped inside the cover of the System 4® control panel.

HOW TO USE MANUAL

Throughout this manual, the following key words are used to alert the reader of potentially hazardous situations, or situations where additional information to successfully perform the procedure is presented:

⚠ WARNING

WARNING is used to indicate the potential for personal injury, if the procedure is not performed as described.

⚠ CAUTION

CAUTION is used to indicate the potential for damage to the product or property damage, if the procedure is not followed as described.

IMPORTANT: IMPORTANT is used to relay information **CRITICAL** to the successful completion of the procedure.

NOTE: NOTE is used to provide additional information to aid in the performance of the procedure or operation of the door, but not necessarily safety related.

DOOR SERIAL NUMBER(S)

To obtain your DOOR SERIAL NUMBER, there are four (5) universal locations that this information can be attained. These are on the left & right side column assemblies (at approximately 5 ft/eye level), on the drive motor assembly, both outside & inside the door cover of the System 4® Control panel. (See Figure 1)

⚠ CAUTION

When installing multiple doors of the same model, verify & match the serial numbers of all the components for each door (i.e. control panel, side columns, drive assembly, etc.). Failure to do this will void the manufacturer's warranty and may lead to catastrophic failure and/or personal injury! Mark any items not previously marked.

NOTE: The following illustration shows the front side of the door. Left and right sides are determined when viewing the front side of the door.

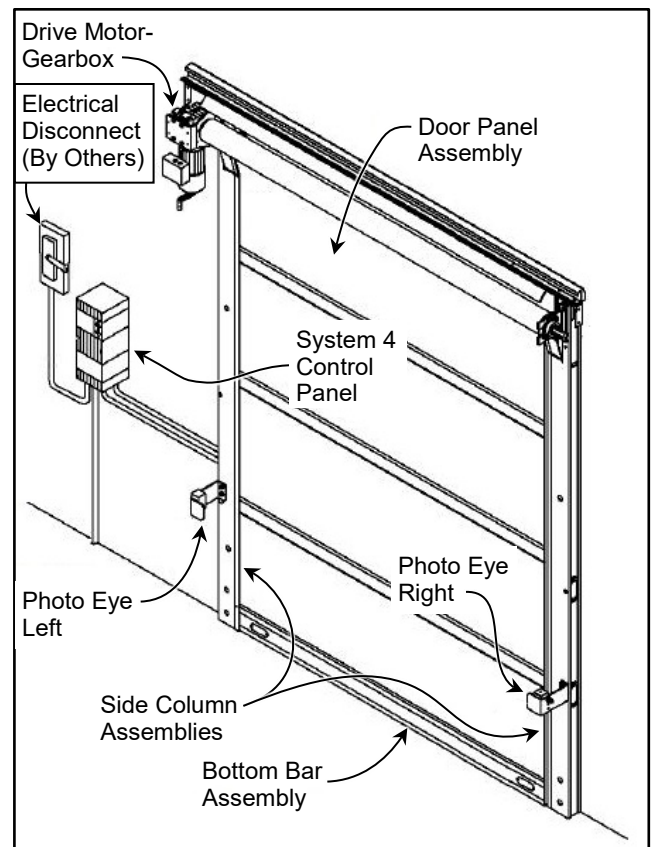


Figure 1

OPERATION-GENERAL ARRANGEMENT OF DOOR COMPONENTS

GENERAL ARRANGEMENT OF DOOR COMPONENTS

Figure 1 shows the location of the major components of your PredaDoor® NXT® door. This illustration also shows the general placement of the associated control sub-assemblies for a typical installation.

The illustration is provided to you for general informational purposes only. It should not be relied upon solely for the operation and maintenance of your door and its sub-assemblies.

NOTE: The above illustration shows the front side of the door. Left and right are determined when viewing the front side of the door.

OPERATION

OPERATING CONTROL SYSTEM

The PredaDoor® NXT® Door is equipped with the Rytec System 4® Drive & Control, a solid-state, microprocessor-based control system designed exclusively to operate Rytec high-performance doors. It provides connections for multiple activators, close-delay timers, and status indicators. All command functions to operate the drive and control system are software controlled. For information on control panel operation, see the Rytec "System 4®" Drive & Control Installation & Owner's Manual. (See Figure 1 & Figure 2)

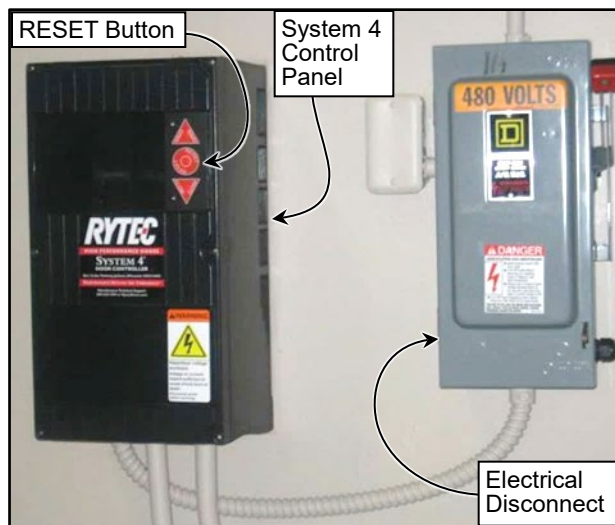


Figure 2

MODES OF OPERATION

The door may be operated in two (2) different operation modes: Automatic & Manual.

Automatic Mode of Operation

If a *momentary* contact activator such as a push-button, pull cord, radio control, etc., is used to activate the door:

- The door will open when the device is activated.

- A timer, internal to the control system, will start up once the door is at the full open position.
- When the internal timer clocks out, the door will automatically begin to close.

If a *maintained* contact activator device such as a floor loop, motion detector, etc., is used to activate the door:

- The door will open and remain open for as long as the device is active.
- Once the device becomes inactive, the internal timer will start up.
- When the internal timer runs out, the door will automatically begin to close.

In the automatic mode, while the timer is running, at any time the activator device or another activator in the system is enabled, the timer will reset and the door will not be allowed to close. It is only when the timer clocks out that the door will begin to close. (To change the timer setting, see "System 4® Drive & Control" manual.)

In summary, in the automatic mode, an externally installed activator device is used to open the door and an internal timer is used to close the door.

Manual Mode of Operation

If a *momentary* contact activator such as a push-button, pull cord, radio control, etc., is used to operate the door:

- The door will open when the device is activated.
- After passing through the door, a similar type of device must be used to close the door.

In summary, in the manual mode, a manually-operated activator is used to open **and** close the door.

OPEN AND CLOSE DOOR LIMIT POSITIONS

See the Rytec System 4® Drive & Control Manual for the proper procedure for setting the open and close door limits. The open and close door limit positions are detailed below.

Close Limit Position

The "close" limit position should be adjusted so that the door travel allows the yellow vinyl loop on the bottom bar to gently seal against the floor. (See Figure 3)

DO NOT allow the rubber reversing edge, enclosed in the yellow vinyl loop, to come in contact with the floor.

CAUTION

Premature wear or damage to the reversing edge or other bottom bar parts can occur if the door seal is allowed to seal too tightly against the floor.

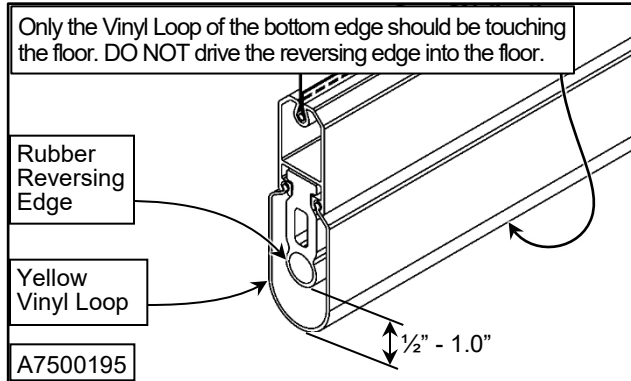


Figure 3

Open Limit Position

The “open” limit position should be adjusted so that the door travel allows the bottom bar assembly to stop at the position as shown in Figure 4.

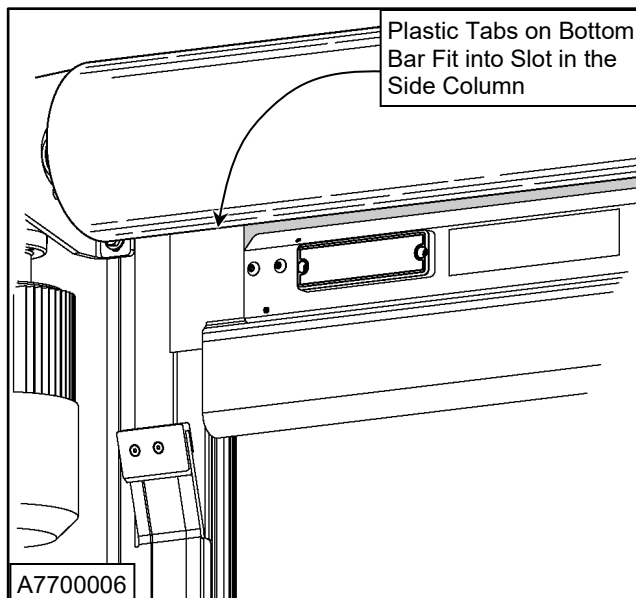


Figure 4

GENERAL

For more operating instructions, including Control Panel System Inputs, Modes of Operation, Accessing Parameters and Miscellaneous Inputs, see the “System 4® Drive & Control” manual.

PHOTO EYES

Your Rytec® PredaDoor® NXT® is equipped with two (2) sets of photo eyes that monitor the opening of the door. One set is mounted on the front and one set is

field-installed on the back/rear. Each set of photo eyes consist of an emitter module & a receiver module. The purpose of these photo eyes is to serve as a safety device. They will prevent the door from closing or, if the door is closing, reverse the direction of the door if a person or object crosses/breaks one of the photo eye beams and it will move to the fully open position. The photo eyes are not meant to be used as activators to open or close the door & are not active when the door is closed. (See Figure 1)

System Reset — Photo Eyes

The door will remain parked in the open position until the object interrupting the photo eye beam(s) has been removed from within the opening. If the front set of photo eyes detects the interruption, the display will read “**Photoeye – Fr**”. If the rear set of photo eyes detects the interruption, the display will read “**Photoeye -Rr**”. After the door is opened & an obstruction breaking the photo eye beam is removed (See Figure 5):

- If the door was originally opened by an automatic activator & if the auto-close timer is on, when the timer clocks out the door will close automatically.
- If the door was originally opened by an automatic activator & if the auto-close timer is off, the door close (▼) button must be pressed to close the door
- If the door was originally opened by a non-automatic activator, the door will remain open until it is closed by the manual/non-automatic activator.

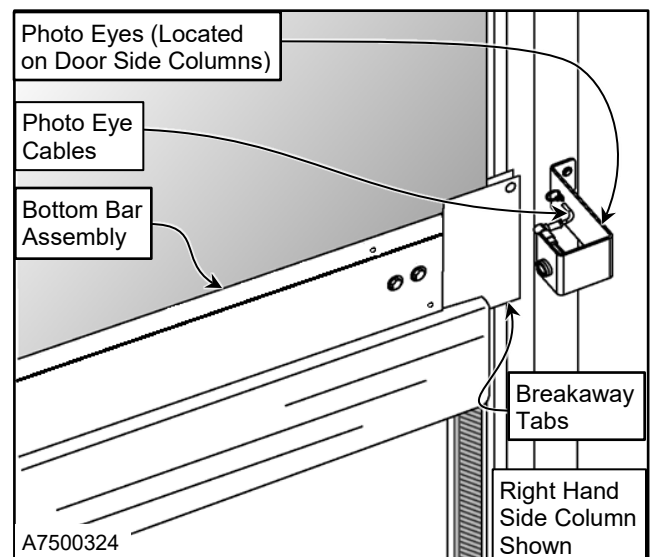


Figure 5

After the door is closed, the System 4® Drive & Controller display will read “**PredaDoor NXT**” and the control system will wait for operator input.

OPERATION-DOOR BOTTOM BAR ASSEMBLY

DOOR BOTTOM BAR ASSEMBLY

The bottom bar assembly provides two functions: breakaway capability and reversing edge.

Breakaway Capability

IMPACT

Plastic tabs mounted at each end of the bottom bar provide adequate strength to keep the assembly in contact with the side columns during normal operation. The tabs, however, are flexible enough to allow the bottom bar to separate from either or both of the side columns should the bottom bar be struck by a vehicle or load passing through the door. A kill switch assembly made up of air bladders and a pressure switch mounted in the bottom bar will turn off electrical power to the door if the bottom bar is separated from the side column. This feature helps prevent the bottom bar from being bent or damaged if struck by a vehicle or load. (See Figure 5)

NOTE: If the bottom bar has been impacted, F:060 DOOR AJAR will appear on the display. The informational message I:060 AJAR REPAIR may also appear. This is expected, and the DOOR AJAR error places the door into a "JOG ONLY" mode.

RESET BOTTOM BAR ASSEMBLY



If the bottom bar or door panel assembly has been damaged, remove door from service.

NOTE: If the bottom bar has been impacted, F:060 DOOR AJAR will appear on the display. The informational message I:060 AJAR REPAIR may also appear. This is expected, and the DOOR AJAR error places the door into a "JOG ONLY" mode.



The electrical disconnect must be in the OFF position & properly locked and tagged before performing the following procedures.

1. Position the breakaway tabs on one end of the bottom bar assembly in front of the side column channel. Lift the other end of the bottom bar & position the breakaway tabs inside of the side column channel. (See Figure 6)

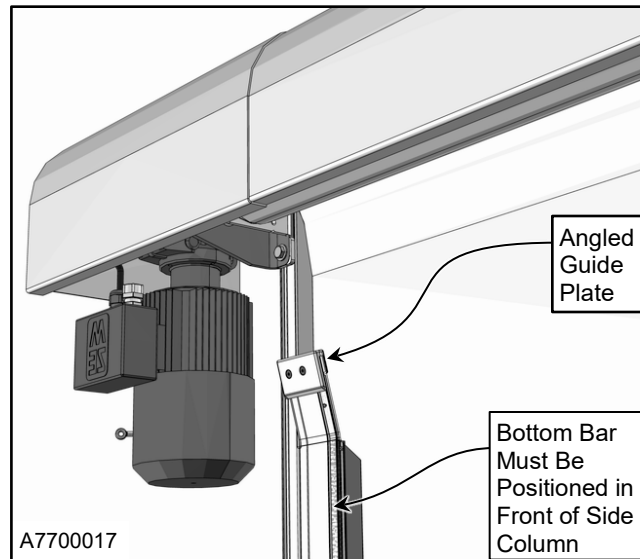


Figure 6

2. Press and hold the up arrow on the control panel until the door is in the full-open position.
3. Press the down arrow and the door will close in automatic mode and be ready for service.

NOTE: Check to make sure that the fabric is inside each channel.

4. Check the operation of the door.

Reversing Edge

An electrically operated reversing edge is mounted along the bottom of the door panel. It is designed to provide a seal between the door panel and the floor. If this pressure sensitive edge comes in contact with an object as the door is closing, the control system will reverse the door and move it to the fully open position. (See Figure 7)

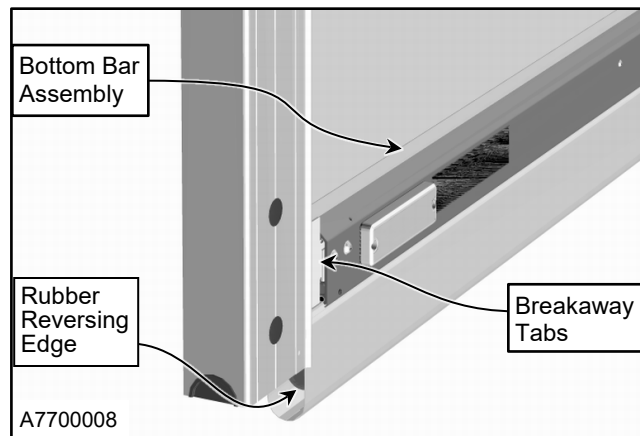


Figure 7

SYSTEM RESET — DOOR PANEL REVERSING EDGE

Anytime the door is closing and the reversing edge along the bottom bar makes contact with an object, the door will move to the fully open position. If the reversing edge is activated 3 consecutive times the door will open and remain open displaying “F:361” “Edge Tripped”.

1. To reset the control system with “F.361” displayed, first make sure the area directly below the path of the door is clear of all objects and personnel.
2. Then press and hold the RESET (●) button on the control panel to reset the control system. (See Figure 2)

POWER DRIVE SYSTEM

The PredaDoor® NXT® power drive system consists of an electric motor/brake assembly, reduction gear assembly, and encoder. The standard PredaDoor® NXT® is equipped with a variable-speed motor. The control system will vary the door speed depending on door position. The power drive system can be mounted on either the right or left end of the fabric roll. (See Figure 8)

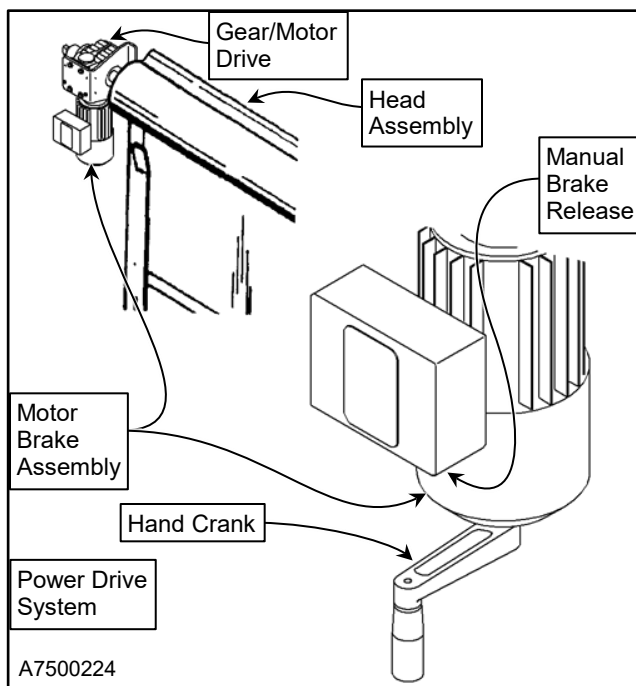


Figure 8

The power drive incorporates an electric brake used as a parking brake to prevent door movement when electrical power to the door is shut off. A manual brake release is provided for manual opening or closing of the door should there be a power failure, or when routine maintenance needs to be performed with the power disconnected. (See Figure 8)

An encoder, mounted on the end of the fabric drum shaft, generates electrical signals as the door panel moves. These signals are used by the control system to monitor the position of the door.

MOVE THE DOOR MANUALLY



The electrical disconnect must be in the OFF position & properly locked and tagged before performing the following procedures.

DO NOT stand under the door panel when moving the door.

1. Turn off power to the door.

Lower the Door



The door panel will close very quickly if the brake is fully released. Releasing the brake partially will allow the door to close smoothly. Failure to restrict motor movement using the brake can result in the panel free-falling to the closed position, which can result in damage to the bottom bar and fabric panel, and/or personal injury.

2. Partially pull down and hold the manual brake release to disengage the brake. Allow the door to close smoothly to the desired height. (See Figure 9)
3. Release the manual brake release to engage the brake and lock the door in place. (See Figure 9)

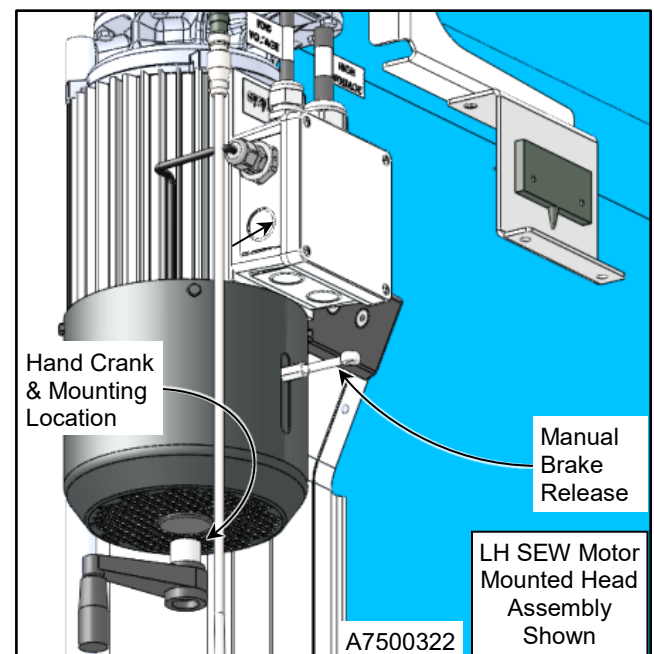


Figure 9

OPERATION-SAMPLE OBJECT LIST

Raise the Door

2. Place the crank handle on the shaft at the bottom of the motor. (See Figure 8)



Hold the crank firmly while disengaging the brake to prevent the door from closing.

3. Pull down and hold the manual brake release to disengage the brake. (See Figure 8 & Figure 9)
4. Using the crank, hand turn the motor shaft to raise the door as needed.
5. Release the manual brake release to fully engage the brake.
6. Repeat steps 3–5 until door is raised to the desired height.
7. Remove the crank.



Remove the crank handle before applying power to the door. Failure to remove the crank handle could result in personal injury and property damage.

8. Turn on power to the door.

SAMPLE OBJECT LIST

Included with every door shipped is an Object List as shown in Figure 10 which is a sample version. This list contains key information specific to the door such as the model, serial number, door Production Size specifications, etc. Locate this document (it will be with the small parts for the door) as you will need information on it which will be key for proper installation, operation, and maintenance. Keep this document along with the manuals in a safe place for future reference.

OPERATION-SAMPLE OBJECT LIST


		Object list Duplicate		Material number 601	
		Material description PREDADOOR		Order number XXXXXXXX	Order quantity 1 EA
MRP controller 100 MAIN ZMAT	Production scheduler T3 Tier 3	Order type ZP02 RYTEC MTO	Start 01/24/2018	Finish 01/25/2018	
Status REL MSPT PRT PRC SETC		Plant 1000 Rytec Corporation	Reservation number 000XXXXXXXXX	Creation Date 01/11/2018	
Serial number D00XXXXX - XXX					
Configuration Door Serial Number D00XXXXX - XXX Custom Order Standard Order DOOR MODEL NAME PredaDoor Production Width (in) 72 Production Height (in) 96 Fabric Type USDA Fabric Fabric Color Blue Line Voltage 460V Line Phase Three Phase Power motor mount side Left Hand Motor Horsepower 1.0 width in feet 6 height in feet 8 Qty of doors in crate 1 Domestic or Export crate Domestic Crate Control Logic System 4 door control Motor Gearbox Ratio 12.10 Motor Duty Standard Duty Motor Hood Material Aluminum Hood Motor Cover Motor Cover Required Side Column Material Aluminum Side Columns PredaDoor Edge Style Foam Edge Bottom Bar Material Aluminum Bottom Bar Surrounding air temperature Greater than or equal to 50° F Number of panels 3 Panel 1 Material Panel 1 = Solid material Windrib 1 height above floor 59.00 Panel 2 Material Panel 2 = Full Width PVC Windrib 2 height above floor 91.00 Panel with window No Windows in panel Number of windows 0 Top Panel Material Top Panel = Solid Windrib Material Black Fiberglass Windribs Total Panel Weight 90.672 Wireless Bottom Bar Wireless Bottom Bar Side Column LEDs Side column LEDs Top Windrib height above floor 91.00 System 4 Enclosure Sys4 standard NEMA 4X enclosur System 4 Disconnect type No Disconnect List Price Variant PB BLK List Price Variant P_06_HOOD_1 List Price Variant P_06_MOTOR_COVER_1 List Price Variant P_PD5500-6X8 List Price Variant USDA Source of BB Weldment Purchase BB Weldment Source of Drum Weldment Purchase Drum Weldment BOM level 0 Motor Cord Length (feet) 22 Encoder Cable Length 15 Meter encoder cable (49') Panel 1 Weight 0.744 Panel 2 Weight 0.507 Panel Top Weight 0.744 Activator 1 Black Mushroom Pushbutton Activator 1 Quantity 2					

Figure 10

PLANNED MAINTENANCE-RECOMMENDED INSPECTION SCHEDULE

PLANNED MAINTENANCE

RECOMMENDED INSPECTION SCHEDULE

Action Items	Daily	Quarterly
Visual Damage Inspection		
Door Operation Inspection		
Bottom Bar/Reversing Edge Inspection		
Photo Eye Inspection		
Vision Panel Inspection		
Mounting Hardware Inspection		
Door Panel/Fabric Inspection		
Door Limit Inspection		
Motor Brake Inspection		
Bottom Bar Inspection		
Breakaway Tab Kill Switch Inspection		
Lubrication Inspection		
Brush Seal Inspection		
Electrical/Control Panel Inspection		
Safety Decals Inspection		
Wireless Antenna Inspection		

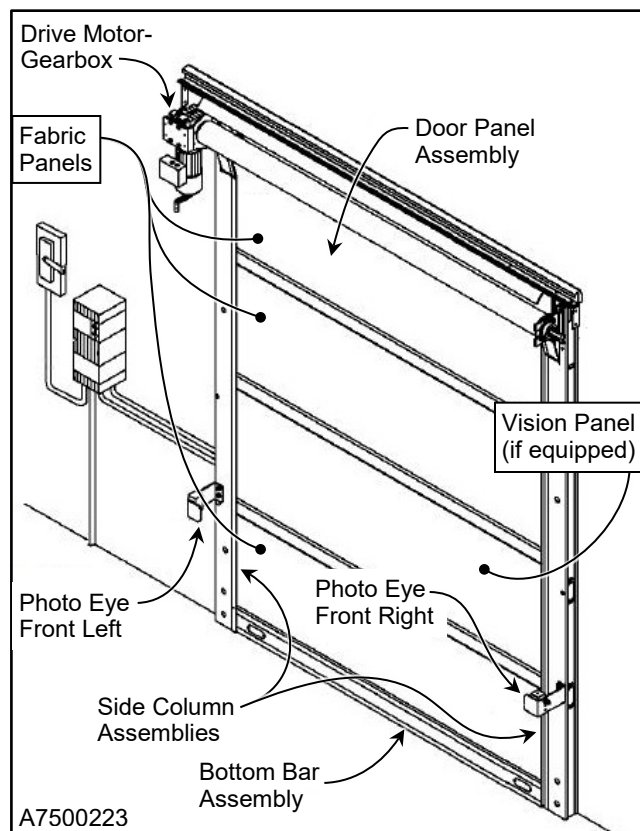


Figure 11

DAILY INSPECTION

Visual Damage Inspection

Visually inspect the door whether any damage has occurred. Examples would be tear(s) in the panel fabric, damaged reversing edge, damage to side column(s), dented or broken components such as door panel(s), side column(s), photo eyes, or brackets etc. (See Figure 11)

Door Panel Assembly: Inspect for tears, holes, and worn areas. If equipped with windows or vision panel(s), inspect them for damage or dirt that may impair vision — clean or replace as required.

Bottom Bar Reversing Edge: Inspect the bottom bar for damaged, missing, or loose hardware. Inspect the bottom edge seal along the lower edge of the bottom bar for tears and/or holes. Inspect the edge itself.

Side Columns and Covers: Inspect for damage that may prevent the door from operating properly.

Wiring, Cords, Etc: Inspect for damage & wear that may prevent the door from operating properly.

Photo Eyes: Inspect the lens of each photo eye for damage or dirt that may prevent the photo eyes from working properly. Clean or replace as required.

Door Operation Inspection

Run the door through four or five complete cycles to make sure it is operating smoothly & efficiently. Also make sure there is no binding or unusual noise(s).

DO NOT continue to operate the door if it is not working properly as this could further complicate the problem.

Bottom Bar Reversing Edge Inspection



DO NOT stand under the door panel when performing the following test. If the reversing edge sensor is not working properly, the door could strike the person performing the procedure. DO NOT use the door if the reversing edge is not working properly. If the door does not reverse properly, see “PNEUMATIC REVERSING EDGE SWITCH ADJUSTMENT” on page 18 for the adjustment procedure..

1. Move the door to the fully open position by pressing the door open (▲) button located on the control panel.
2. Press the door close (▼) button. While the door is closing, tap the bottom of the reversing edge that runs along the bottom edge of the door. Stand outside the photo eyes to avoid activating the photo eye circuit. (See Figure 12)
3. If the reversing edge is working correctly, the door will reverse direction and move to the fully open position, if the door was opened using a timer input, the door will begin counting that timer. When the door timer reaches 0 the door will again begin to close. If the reversing edge is activated 3 consecutive times the door will open and remain open displaying **F:361 “Edge Tripped”**.
4. Inspect the bottom seal along the bottom bar assembly for wear, tears, and/or abrasion. Replace any worn or damaged parts as required. (See Figure 12)

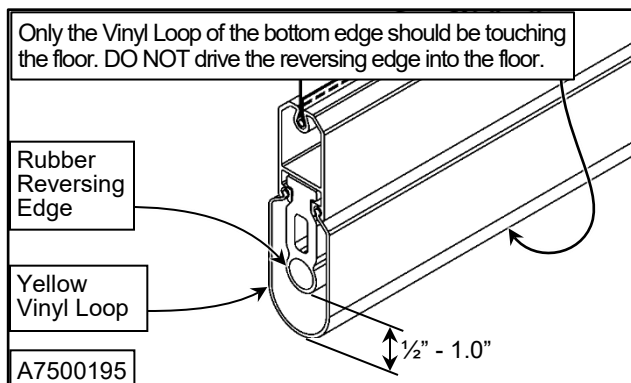


Figure 12

To reset the control system, see “System Reset – Door Reversing Edge” on page 5.

Photo Eye Inspection

NOTE: Two sets of photo eyes have been provided with the PredaDoor® NXT®. Photo eyes act as a safety device to prevent the door from closing if an object or person is within the photo eye beam. The photo eyes are not to be used as door activators.



Personnel or objects being used for this inspection should not be in the path of the door panel when this check is made. If the photo eyes are not working properly, the door panel will lower, striking personnel or objects in its path. DO NOT use the door if the photo eyes do not operate properly.

To prevent the front & rear sets of eyes from interfering with each other, the emitter and receiver modules of each set are mounted diagonally across from each other.

PHOTO EYE SYSTEM TESTING

NOTE: Avoid interrupting both beams of light when testing one, or the other, set of photo eyes. Interrupt only one beam of light at a time.



To prevent injury to personnel and damage to equipment, the photo eye circuit must be thoroughly tested to make sure the photo eye system is operating correctly.

Test the door photo eyes by doing the following procedure:

1. Move the door to the fully open position by pressing the door open (▲) button located on the control panel.
2. Place an object in front of the photo eye in a position where it will break the photo eye beam.

NOTE: When the front beam of light is interrupted, the display on the control panel will read “Photo Eye – Fr”. When the rear beam of light is interrupted, the display will read “Photo Eye – Rr”.

3. Press the down key on the front of the control panel. The door should not operate.
4. If a photo eye does not operate properly, the photo eye lense(s) may be dirty. Clean as required using window cleaner and a clean, soft cloth (See “Cleaning Photo Eyes” section on page 10). Retest the set of eyes. If cleaning does not

PLANNED MAINTENANCE-DAILY INSPECTION

solve the problem, check that each photo eye set is properly lit up & aligned. (See "PHOTO EYE ALIGNMENT" on page 22) If realignment does not resolve the problem, replace the photo eyes as required.

- Repeat this procedure for each set of photo eyes only after verifying that the set of eyes just tested are working properly.
- The front photo eyes are externally mounted on the front of the side column. The rear photo eyes are externally mounted on the rear of the door opening. Check that the photo eyes & all connections are secure & there is nothing damaged.
- Confirm the cable/wires are securely & safely routed as necessary through the side column, across the rear spreader, through the consoles, to the junction box, to the control panel, and correctly wired as required.

When the door is open and an object breaks either beam of light, the door will remain open until the beam is restored (object removed). If the door is closing at the time either beam is broken, the door will immediately reverse direction and move back to the fully open position, where it will remain parked until the beam of light is restored (object removed).

It is important to note that the sets of photo eyes are interchangeable. Each set performs the same function and operates with the same set of photo eye modules. Also, the photo eye modules that make up the photo eye sets each have one indicator light. (See Figure 13)



Figure 13

The eyes are receiving power & are aligned when the indicator on the transmitter module is green and the indicator on the receiver module emits a yellow light which only illuminates when it is in proper alignment with the transmitter. If the receiver module indicator light is out, the eyes are not aligned. The emitter has a single green light that comes on when it is powered up. (See Figure 13)

CLEANING PHOTO EYES

⚠ WARNING

The electrical disconnect must be in the OFF position & properly locked and tagged before performing the following procedures.

A dirty photo eye lens can cause a photo eye module to fail or operate intermittently. After any work is performed on either set of photo eyes, it is recommended that the lens on each photo eye be cleaned.

- Using a clean soft cloth & household window cleaner clean off the photo eye lenses.

Vision Panel Inspection

The Vision Panels should be inspected on a daily basis for dirt, grease, etc. Cleaning must be done when dirt, grease, or anything else that diminishes panel clarity is observed. Follow the procedure(s) as necessary:

⚠ WARNING

The electrical disconnect must be in the OFF position & properly locked and tagged before performing the following procedures.

ROUTINE CLEANING

- Remove power to the control panel by placing the electrical disconnect in the OFF position.
- Dirt may be cleaned using a mild NON-abrasive soap/warm water solution. Grease & oil based build up may require using a commercial/institutional grade Degreaser cleaning product.
- Apply appropriate cleaning solution to the dirty area by spraying, or with a damp non-abrasive microfiber, washcloth, or any other appropriate method. Wash as needed to remove the dirt from the affected panel area.
- Lightly rinse with a water spray & wipe with a CLEAN damp NON-abrasive microfiber, washcloth, or towel.
- Remove excess water using a clean & dry NON-abrasive microfiber or lint free cloth/towel.

QUARTERLY INSPECTION

Mounting Hardware Inspection

Check all mounting hardware to ensure all nuts, bolts, set screws, and anchors are tight. Example: motor mounting hardware, anchor or through wall bolts, bearing block, mounting hardware, etc. (See Figure 14 - Figure 16)

MOTOR MOUNTING HARDWARE

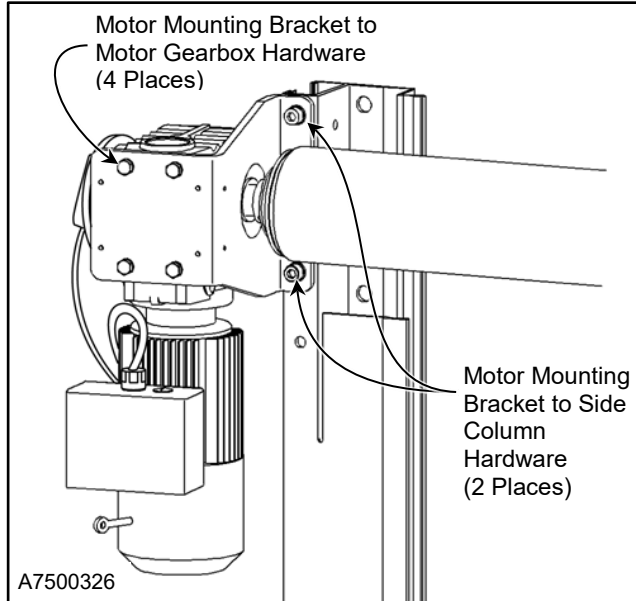


Figure 14

1. Remove power to the control panel by placing the electrical disconnect in the OFF position.



WARNING

The electrical disconnect must be in the OFF position & properly locked and tagged before performing the following procedures.

2. Tighten four bracket-to-gearbox screws to 15–20 foot-pounds.
3. Tighten the two bracket-to-side column socket head cap screws, if loose.

ENCODER MOUNTING HARDWARE (ABM MOTOR ASSY SHOWN)

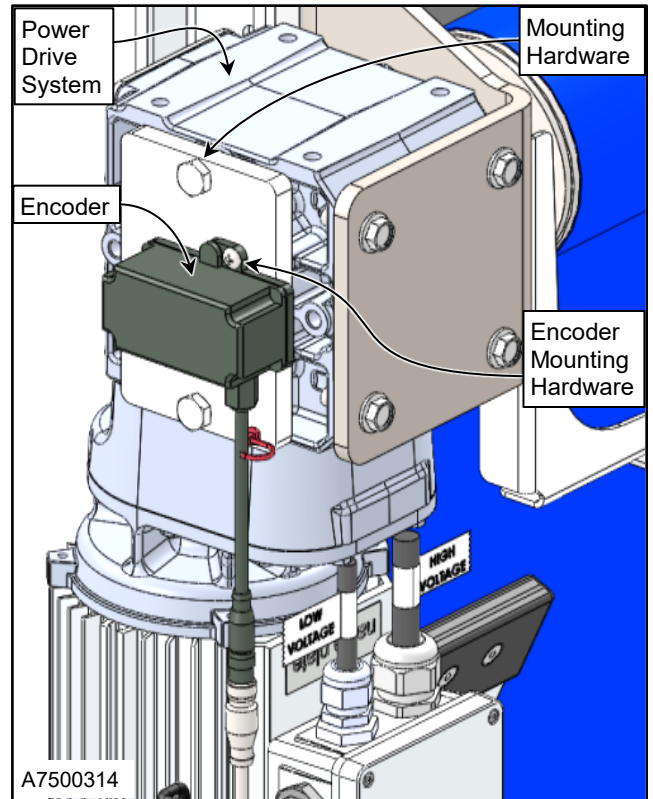


Figure 15

SIDE COLUMN MOUNTING HARDWARE

NOTE: Restrict access to the area around the door and remove it from service if any repairs are needed. All repairs must be done in accordance with building codes.

4. Inspect all nuts, bolts, threaded rods, and anchors used to secure the side columns to the wall. Tighten any loose hardware. Replace any missing or damaged hardware as required. (See Figure 16)
5. When all repairs and adjustments have been made, restore power to the door and return to service.

PLANNED MAINTENANCE-QUARTERLY INSPECTION

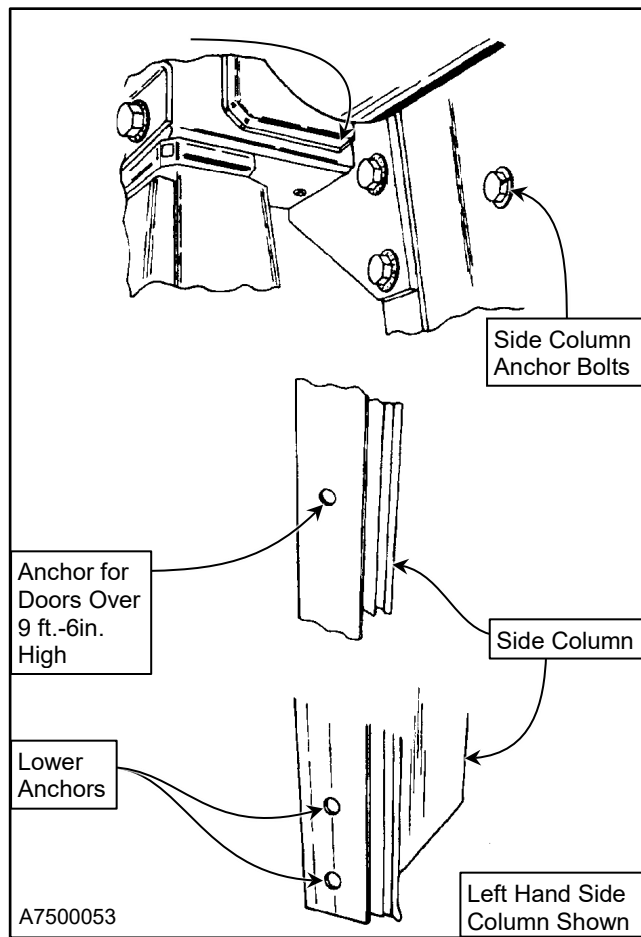


Figure 16

BEARING BLOCK MOUNTING HARDWARE

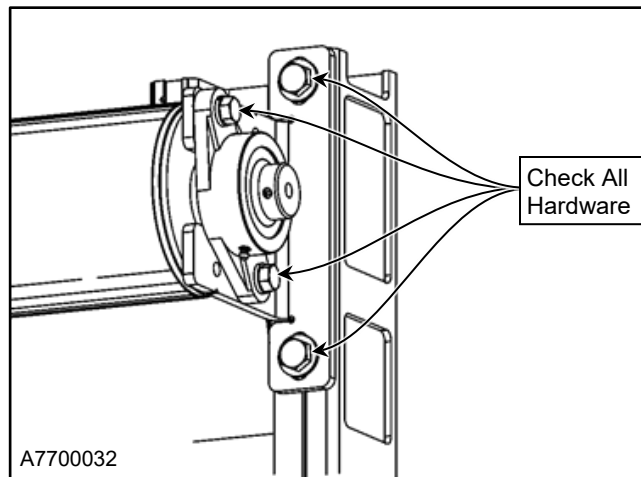


Figure 17

Door Panel/Fabric Inspection

1. Check fabric panels for tears. Replace if required.
2. Check all panels to ensure they are tightly enclosed in the wind ribs and pins are in place in wind ribs. (See Figure 18)

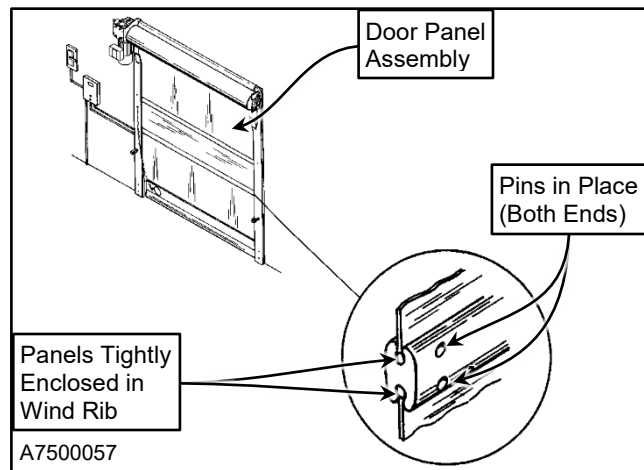


Figure 18

3. Check the vision panel for clarity. Clean or replace the panel as required.

IMPORTANT: Use any good brand of window cleaner and a clean, soft cloth to clean vision panel. DO NOT use an abrasive cleaner or a petroleum based solvent.

4. Check lower panel to ensure that it is fastened to the plastic breakaway tabs at each end of the bottom bar. Tighten or replace hardware, if required. If fabric is torn and cannot be re-bolted to the plastic tab, replace the panel. (See Figure 19 & Figure 20)

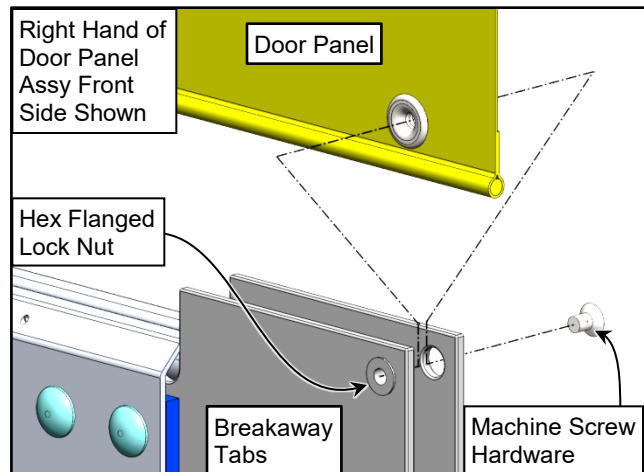


Figure 19

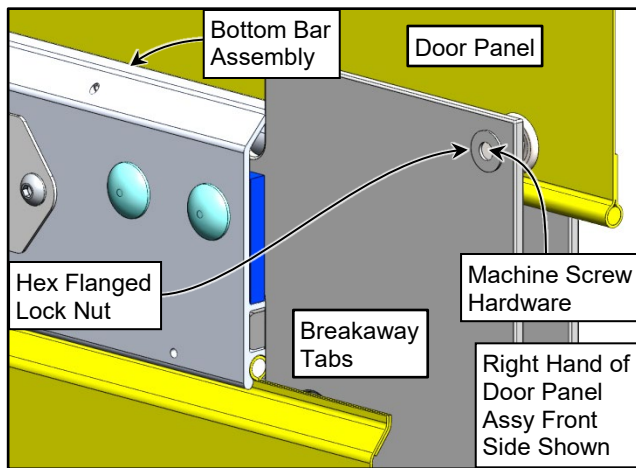


Figure 20

- Run the door through two or three cycles. Check that the panels are tracking properly in the side columns. If the panels do not track properly, see "DOOR PANEL ASSEMBLY ADJUSTMENT" on page 22.

Door Limit Inspection

CLOSE LIMIT

See the Rytec System 4® Drive & Control Installation & Owner's Manual for the proper procedure for setting the open & close door limits. The open & close limit door positions are detailed as follows.

- With the door in the closed position, check the yellow vinyl loop on the bottom bar. It should be in the position as shown in Figure 21.



Damage to the rubber reversing edge or other bottom bar parts can occur if the door is allowed to seal too tightly against the floor. (See Figure 21)

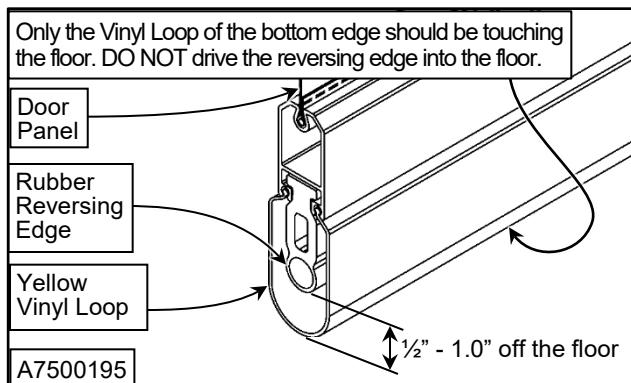


Figure 21

- If the bottom bar loop does not seal properly against the floor, see the Rytec System 4® Drive & Control Installation & Owner's Manual for adjustment procedure.

OPEN LIMIT

- With the door in the open position, check the location of the yellow vinyl loop on the bottom bar. It is shown in the correct position in Figure 22.

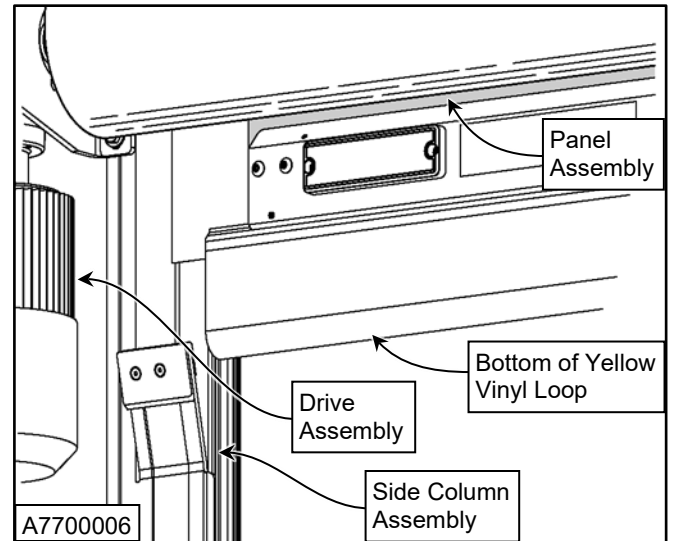


Figure 22

- If the panel does not stop in the proper location, see the Rytec System 4® Drive & Control Installation & Owner's Manual for adjustment procedure.

Motor Brake Inspection

The power drive brake assembly is designed to act as a parking brake when electrical power is turned off to the motor. If the limit switches are set properly and the door drifts past the set limits, the brake may need to be adjusted. See the "MOTOR BRAKE ADJUSTMENT" section on page 22 for procedures.

Bottom Bar Inspection

Inspect the entire length of the bottom bar reversing edge seal for damage such as tears, holes, & for missing or loose hardware.



DO NOT stand under the door when performing the following test! If the reversing edge sensor is not working properly the door could strike the person performing the procedure. Failure to stay clear of it may cause damage or personal injury! DO NOT use the door if the sensor is not working properly.

- Inspect the roll pins securing the bottom bar to the door panel & loop seal as shown. It is critical that the hardware is tight to prevent shifting of the fabric in the bottom bar. (See Figure 23)

PLANNED MAINTENANCE-QUARTERLY INSPECTION

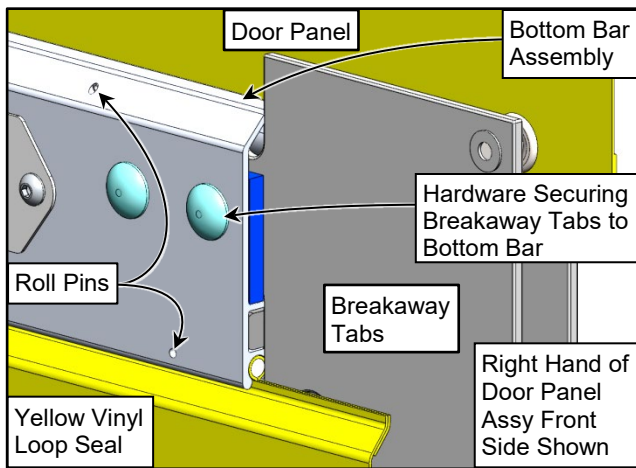


Figure 23

2. Check hardware used to secure the breakaway assembly to the bottom bar on both sides. Tighten as required.
3. Check the reversing edge to see that it is tightly secured in the bottom bar.
4. Inspect the yellow vinyl loop of the reversing edge for abrasion or tearing. Replace if required. Make sure screw securing vinyl loop is in place and tight.

Breakaway Tab Kill Switch Inspection

The bottom bar has breakaway tabs on each end & kill switch assemblies have been installed in between them. The purpose of this kill switch assembly is to prevent the door from being operated if the bottom bar becomes separated (breaks away) from either side column.

To check the breakaway tab/kill switch assembly, perform the following procedure:

⚠️ WARNING

Take precautions to prevent the door from being opened or closed while performing the following procedure.

1. Lower or raise the door to approximately head or chest height and stop the door.
2. Push the breakaway bottom bar out of one of the side columns. (See Figure 24)

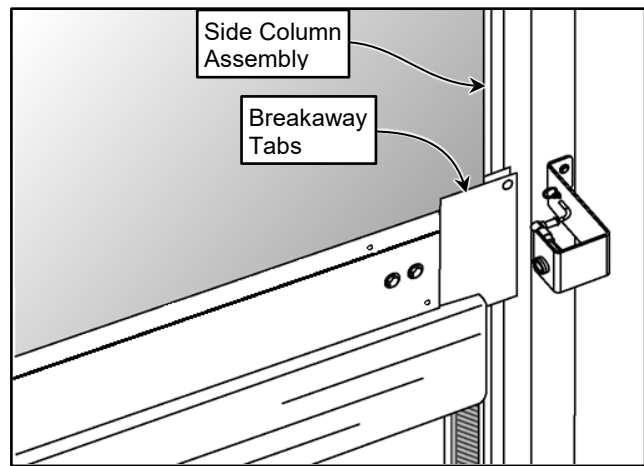


Figure 24

3. If the kill switch operated properly:

- a. Reinstall the bottom bar into the side column and repeat the procedure on the remaining column. (See "BOTTOM BAR ASSEMBLY" on page 4)

If the kill switch did not operate properly:

- b. Check the switch for damage. Replace if required.
- c. Check all switch wiring. Correct and/or adjust if required.

(See "BREAKAWAY PNEUMATIC KILL SWITCH ADJUSTMENT" on page 19)

4. Retest kill switch.

Lubrication Inspection

FLANGED BEARING

1. The fabric roll is supported by a flanged bearing located on the roll shaft end opposite the motor/brake assembly. The flanged bearing is equipped with a grease fitting. Recommended lubrication is a lithium-based grease conforming to NLGI Grade 2 standards. It should be medium viscosity, low torque, with an operating temperature range of -30°F to $+200^{\circ}\text{F}$. (See Figure 25)

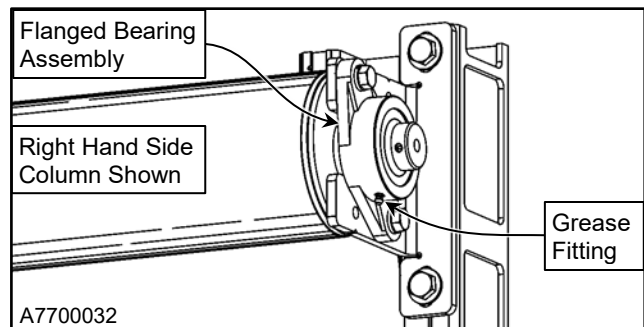


Figure 25

SEW MOTOR GEARBOX ASSEMBLY

- The motor gearbox is filled with synthetic oil, which does not need to be changed but should be checked regularly for proper oil level. The level can be checked at the plug located on the lower section of the gearbox.

Recommended oil for refill is:

- Mobil®1 SHC 630 Synthetic Gear Oil

- Fill the gearbox by removing the breather at the top of the gearbox and add oil through exposed hole. Add oil until it starts draining from the check plug hole. Replace the O-ring on the refill plug as needed to maintain a tight seal. (See Figure 26)

Should you notice any signs of oil leakage contact the RYTEC Technical Support Department @ 1-800-628-1909.

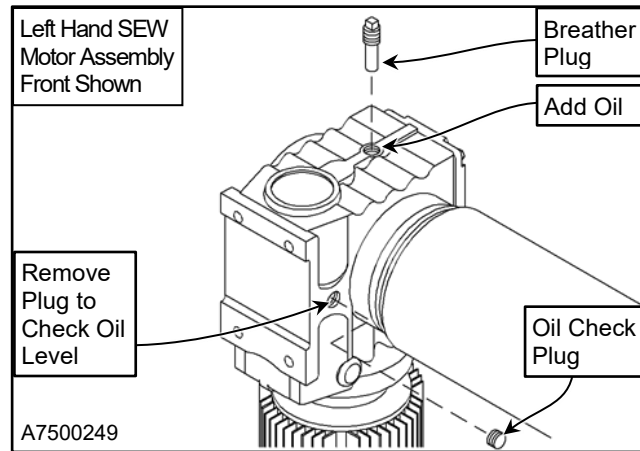


Figure 26

ABM MOTOR GEARBOX ASSEMBLY

- The ABM gearbox is designed as a maintenance free sealed unit and its oil should not need to be checked. There are drain plugs on either side of the gearbox of the unit. (See Figure 27)

Should you notice any signs of oil leakage contact the RYTEC Technical Support Department @ 1-800-628-1909.

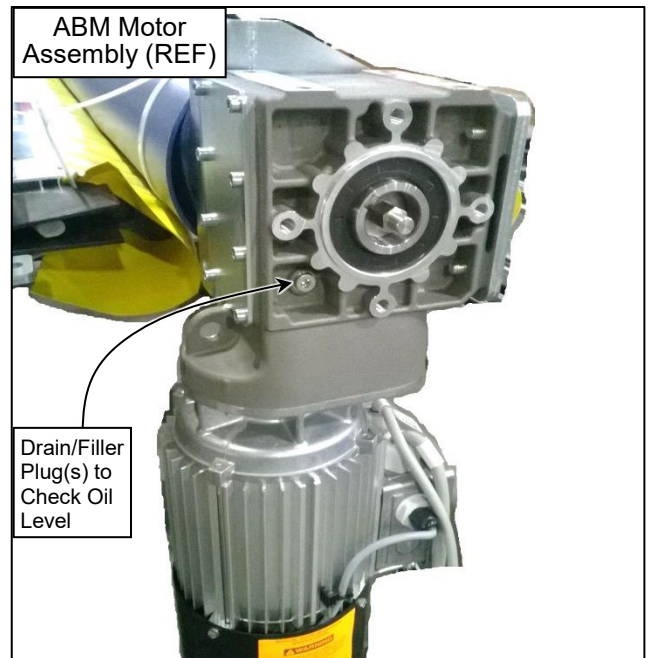


Figure 27

Brush Seal Inspection

There are brush seals on the front & rear side of the door panel in the side columns as well as a brush seal between the door and the wall along the door's top lintel. (See Figure 28 & Figure 29)

HEADER ASSEMBLY

- Move the door to the fully closed position by pressing the door close (▼) button located on the control panel.
- Remove power to the control panel by placing the electrical disconnect in the OFF position.



The electrical disconnect must be in the OFF position & properly locked and tagged before performing the following procedures.

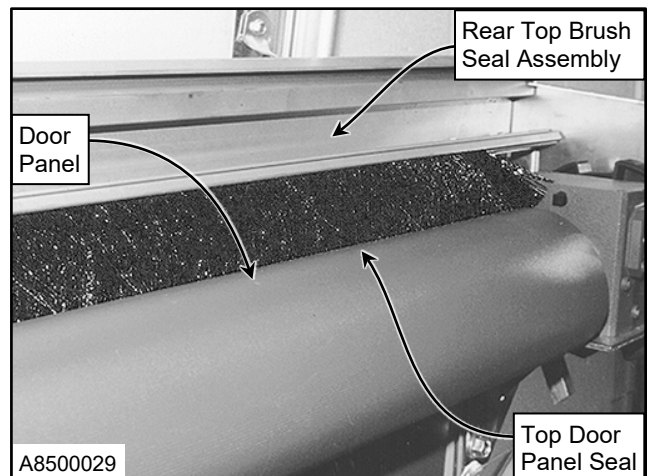


Figure 28

PLANNED MAINTENANCE-QUARTERLY INSPECTION

3. Inspect the header weather seal for wear or damage. (See Figure 28) Replace if necessary. (See “WEATHER SEAL” on page 23.)

SIDE COLUMNS

1. Inspect the weather seals in both side columns. Check for wear and tear, and check for a good, tight fit between the door panel and the seal. Replace if necessary. (See Figure 29)
2. Inspect all weather seals to confirm they are properly positioned. (See Figure 29)

To replace the weather seal, see “WEATHER SEAL REPLACEMENT” on page 23.

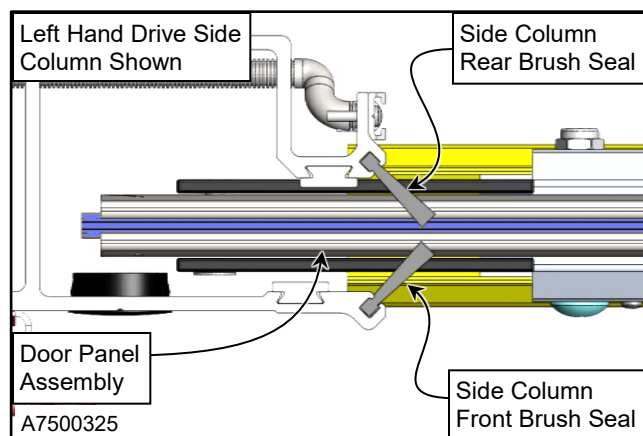


Figure 29

Electrical/Control Panel Inspection

1. Remove power to the control panel by placing the electrical disconnect in the OFF position.



The electrical disconnect must be in the OFF position & properly locked and tagged before

2. Open the door to the control panel. (See Figure 30)
3. Inspect all electrical lines leading to the control panel. Check all electrical connections inside the control panel. All connections must be tightly secured.

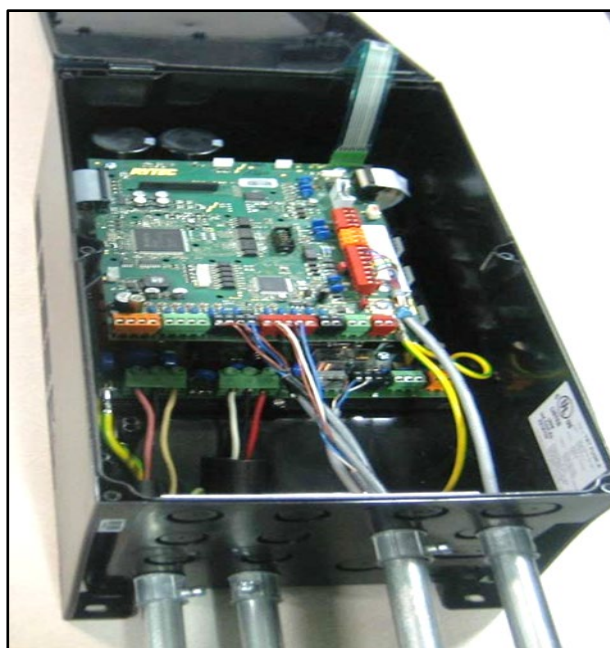


Figure 30

4. Check for pinched, cracked, or damaged wires & insulation. Repair or replace wires as needed. For the proper control panel electrical connection inspection procedure, see the Rytec “System 4® Drive & Control” manual.
5. Inspect the serial number decal for legibility and adhesion. (See Figure 31)



Figure 31

6. Restore power to the door & control panel.
7. Operate the door five or six complete cycles with each activator that has been installed on the door.

Typical activators may be floor loops, pull cords, push buttons, motion detectors, radio controls, photo eyes, etc. The opening is controlled by the activator, and closing may be controlled by the activator or a timer in the control panel.

8. Check the control panel for proper operation. If adjustment or repair is required, see the activator instructions or Rytec System 4® Drive & Control Installation & Owner's Manual.

Safety Decals Inspection

Safety decals are vital to the door. This is to inform the owner and operators of procedures, proper operation, and possible hazardous situations. See Figure 32 and Figure 33 for a sample of how a safety decal should look at all times.

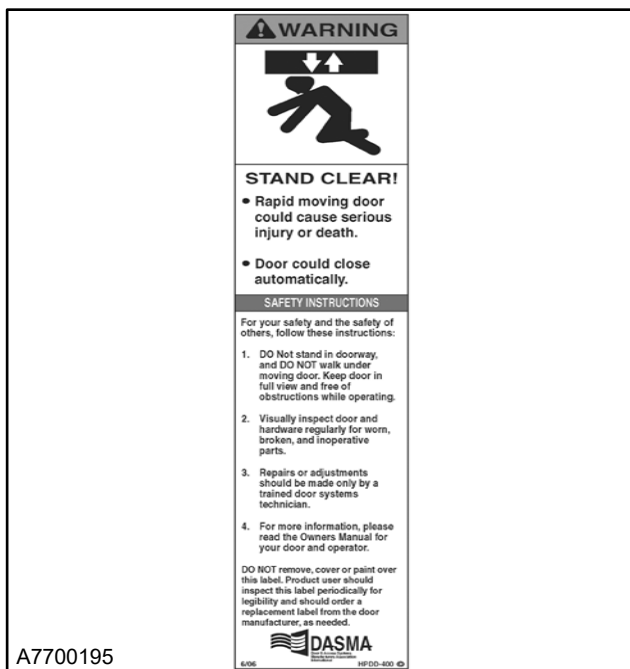
1. Check text on safety decals. It must be clear and readable. Replace as necessary.
2. Check for worn-out safety decals. No rips, tears, or missing information is allowed in an instructional area. Replace as necessary.

NOTE: Notify building maintenance of any safety decal discrepancies.



A7700034

Figure 32



A7700195

Figure 33

Wireless Antenna Inspection

Located at the top of the drive side (left or right) side column is the Spiral door wireless reversing edge antenna & bracket. Check that all mounting hardware is secure. Inspect the antenna & cable for damage. (See Figure 34)

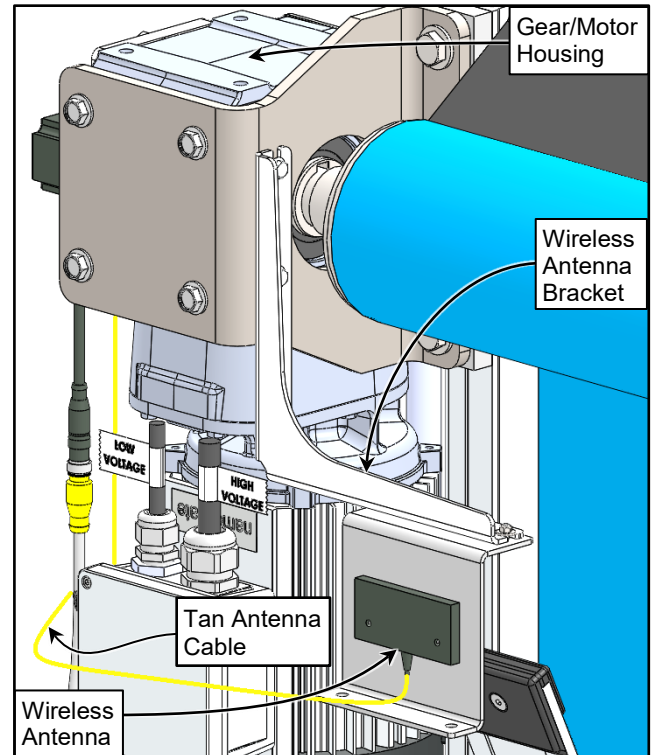


Figure 34

ADJUSTMENTS

DOOR LIMIT POSITIONS

See the Rytec System 4® Drive & Control Installation & Owner's Manual for the proper procedure for adjusting the open and close door limits. The open and close-limit door positions are detailed below.

Close-Limit Position

The close-limit position should be adjusted so that the door travel allows the yellow vinyl loop on the bottom bar to gently seal against the floor. (See Figure 35)

DO NOT allow the rubber reversing edge, enclosed in the yellow vinyl loop, to come in contact with the floor.



Damage to the rubber reversing edge or other bottom bar parts can occur if the door is allowed to seal too tightly against the floor.

ADJUSTMENTS-PNEUMATIC REVERSING EDGE SWITCH ADJUSTMENT

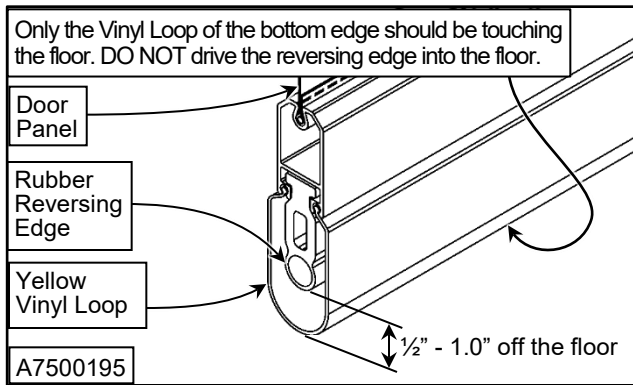


Figure 35

Open-Limit Position

The open-limit position should be adjusted so that the door travel allows the bottom bar assembly to stop at the position shown in Figure 36.

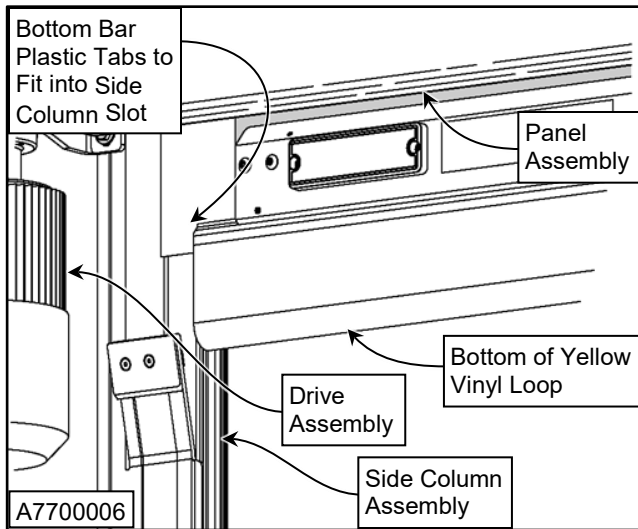


Figure 36

PNEUMATIC REVERSING EDGE SWITCH ADJUSTMENT

⚠ WARNING

Do not stand under the door panel when testing the reversing edge. If the reversing edge switch is not working properly, the panel could strike the person performing the check.

1. Inspect the door's Pneumatic Reversing Edge by performing a "Bottom Bar Reversing Edge Inspection" (See page 9)
2. If the reversing edge switch is operating properly, the door will immediately reverse and run to the full-open position.
3. Reset the control system after the check is completed.

4. If the door does not operate properly & reverse, perform a "Reversing Edge Switch Air Bleed" and/or a "Reversing Edge Switch Sensitivity" check & adjustment as necessary (See page(s) 18 & 19). The switch is located in the bottom bar on the opposite side of the door motor. (See Figure 37) Also check the rubber reversing edge for damage if necessary.

Reversing Edge Switch Air Bleed Check

1. The reversing edge switch is located inside the bottom bar assembly. To inspect or adjust the switch, remove the access cover from the face of the bottom bar assembly. (See Figure 37)

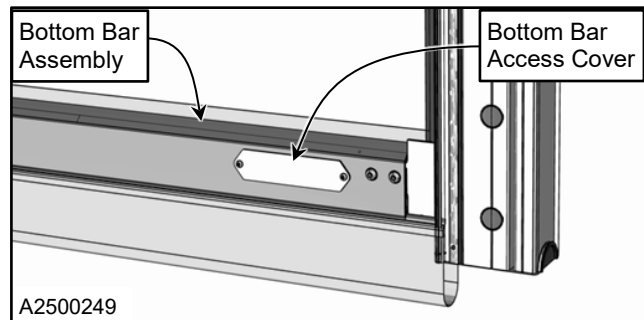


Figure 37

2. Make sure the clear PVC hose is in tight contact with the air input post so that air leakage cannot occur & that vibration will not cause the hose to fall off. Make sure the hose is not kinked. (See Figure 38)
3. The air bleed has been set at the factory and should not require adjustment. To check the air bleed, turn the air bleed adjustment screws, located on the front & back of the switch, fully clockwise but do not overtighten. Then turn the screws counter-clockwise one full turn. (See Figure 38)

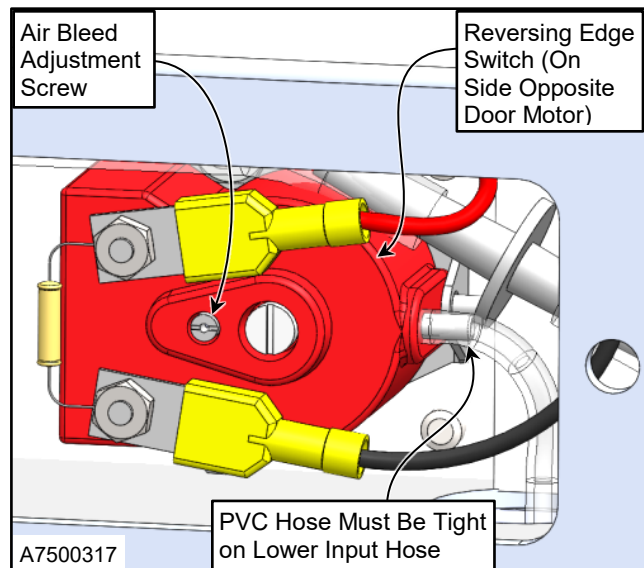


Figure 38

ADJUSTMENTS-BREAKAWAY PNEUMATIC KILL SWITCH ADJUSTMENT

Reversing Edge Switch Sensitivity Adjustment

1. The reversing edge switch is a normally-open contact. The PVC hose is on the lower air input post. To adjust the switch, first remove the wires and resistor from the contact terminals and attach an ohmmeter across the two terminals. (See Figure 39)
2. Turn the adjustment screw, located on the face of the switch, clockwise or counterclockwise until continuity is achieved. Then turn the screw two full turns counterclockwise. The ohmmeter should no longer show continuity. Turning the screw counterclockwise decreases sensitivity. Turning the screw clockwise increases sensitivity. (See Figure 39)

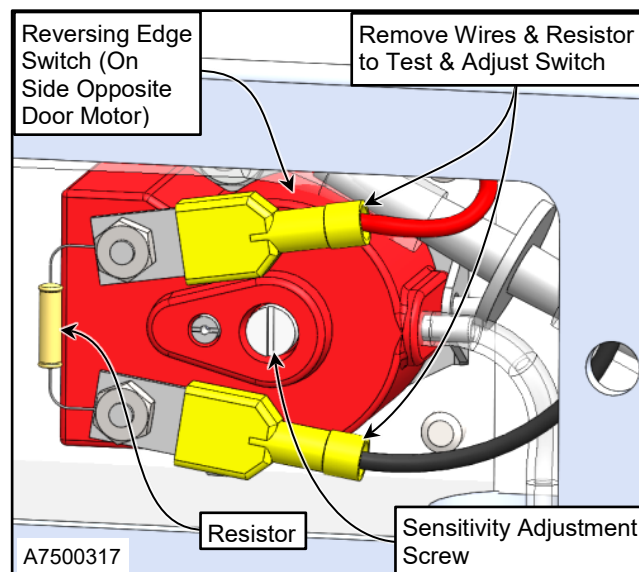


Figure 39

3. Reattach the resistor and wires to the contact terminals. Replace the access cover on the bottom bar.

NOTE: If the reversing edge is too sensitive, the door may reverse direction during the closing cycle, without the reversing edge coming in contact with an object. If this occurs, readjust the reversing edge switch.

BREAKAWAY PNEUMATIC KILL SWITCH ADJUSTMENT

1. With the bottom bar separated from the side columns, locate the kill switch assembly bladder at each end of the bottom bar, and then inspect each bladder for damage. Replace if required. (See Figure 40)

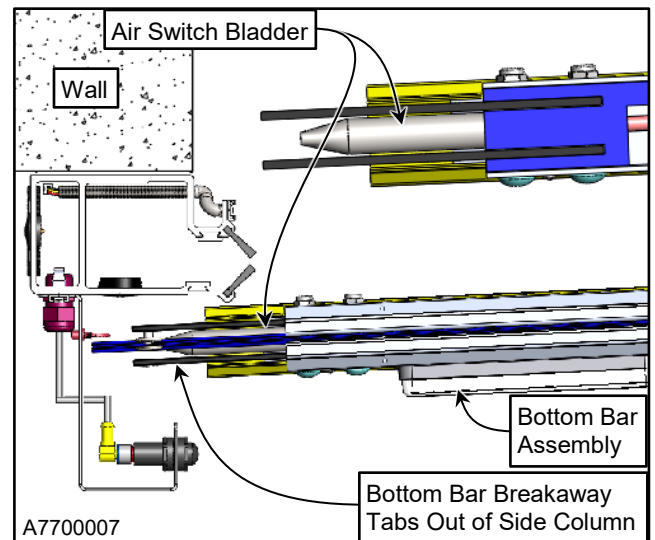


Figure 40

2. Remove the kill switch assembly access cover from the bottom bar. The kill switch is located on the same side as the door motor. (See Figure 41)

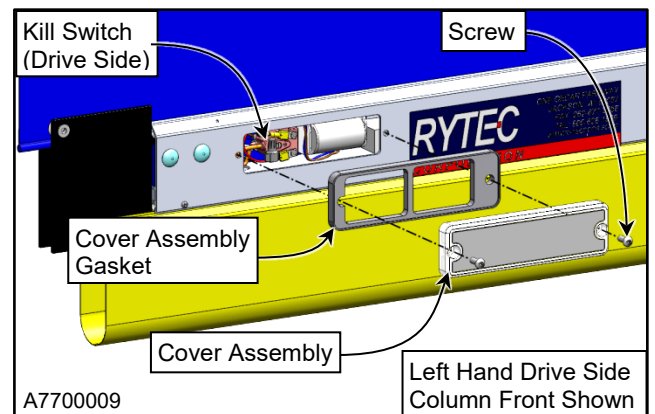


Figure 41

Kill Switch Air Bleed Adjustment

1. Make sure the clear PVC hose is tight on the air input post so that air leakage cannot occur and vibration will not cause the hose to fall off. Make sure the hose is not kinked. (See Figure 42)
2. The air bleed has been set at the factory and should not require adjustment. To check the air bleed, turn the air bleed adjustment screw, located on the front and back of the switch, fully clockwise but do not over tighten. Then turn the screw counterclockwise one full turn. (See Figure 42)

ADJUSTMENTS-BREAKAWAY PNEUMATIC KILL SWITCH ADJUSTMENT

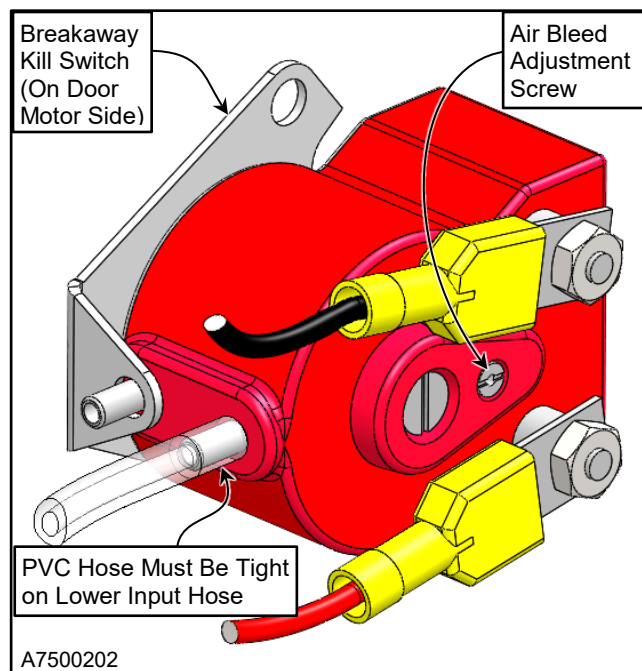


Figure 42

3. The air bleed has been set at the factory and should not require adjustment. To adjust the air bleed, turn the air bleed adjustment screw located on the front and back of the switch fully clockwise, but do not over tighten. Then turn each screw counterclockwise one full turn. (See Figure 42)
4. To adjust the kill switch sensitivity, see "Kill Switch Sensitivity Adjustment" below.

Kill Switch Sensitivity Adjustment

The kill switch assembly is a normally-closed contact. The PVC hose is on the upper air input post.

1. Remove the wires from the contact terminals and attach an ohmmeter across the two terminals. (See Figure 43)

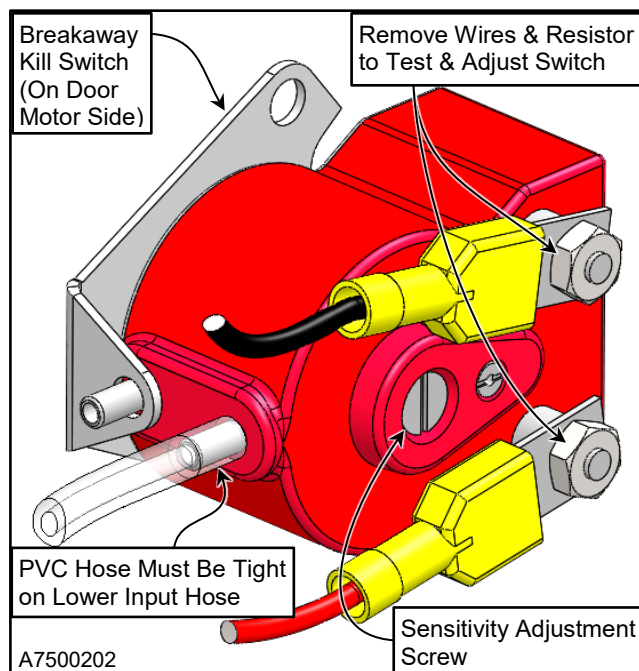


Figure 43

2. To adjust the switch, turn the small adjusting screw located on the face of the switch clockwise or counterclockwise until continuity is achieved.
3. Turn the screw 2 turns fully clockwise for final adjustment.

NOTE: The ohmmeter should continue to show continuity. Turning the screw clockwise decreases sensitivity. Turning the screw counterclockwise increases sensitivity.

4. Reconnect the wires onto the switch. Replace the access cover on the bottom bar.

NOTE: If the kill switch assembly is too sensitive, it may cause the door to stop during the opening or closing cycle. If this occurs, readjust the kill switch.

Wireless Reversing Edge

The wireless system has two main assemblies: the mobile unit located in the bottom bar under the plastic cover and the stationary antenna located near the motor assembly. (See Figure 44 and Figure 45) The wireless antenna is field installed and the mobile unit is installed at Rytec prior to shipping. The antenna has a tan colored cable that runs to the encoder mounted to the side of the motor gearbox. The gray cable from the encoder carries the signals for the reversing edge and the breakaway back to the System 4® control board.

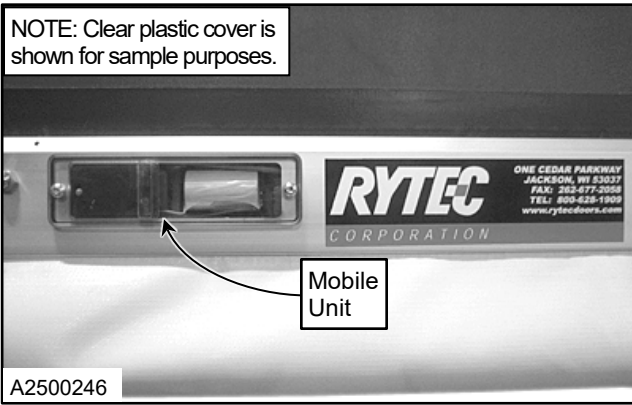


Figure 44

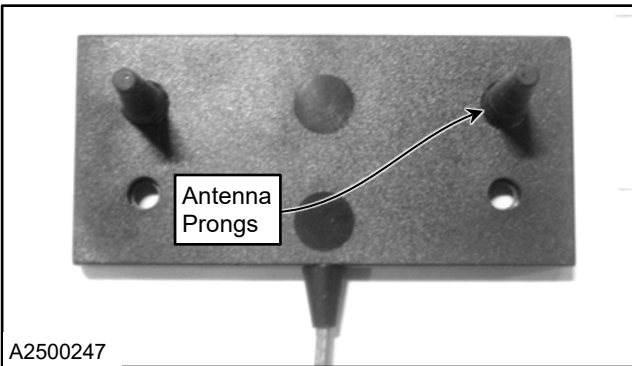


Figure 45

Attached to the antenna is a small tan-colored cable. The tan cable is routed from the encoder attached to the motor assembly to the mounting bracket for the antenna. When the bracket is installed, the 2-inch prongs from the antenna point toward the drum roll and the tan-colored cable points to the floor. Mounting the antenna upside down will affect the wireless signal. (See Figure 46 and Figure 47)

NOTE: No bends, kinks, or loops are allowed in the tan cable. The antenna is fragile and should be handled with extreme care.

Any leftover packaging material should be removed from the antenna prior to installation.

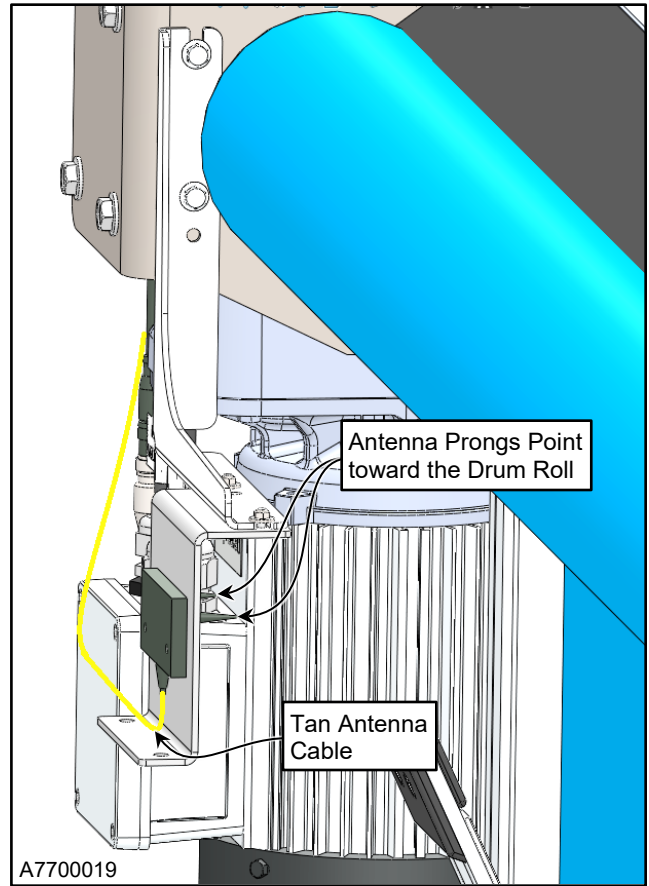


Figure 46

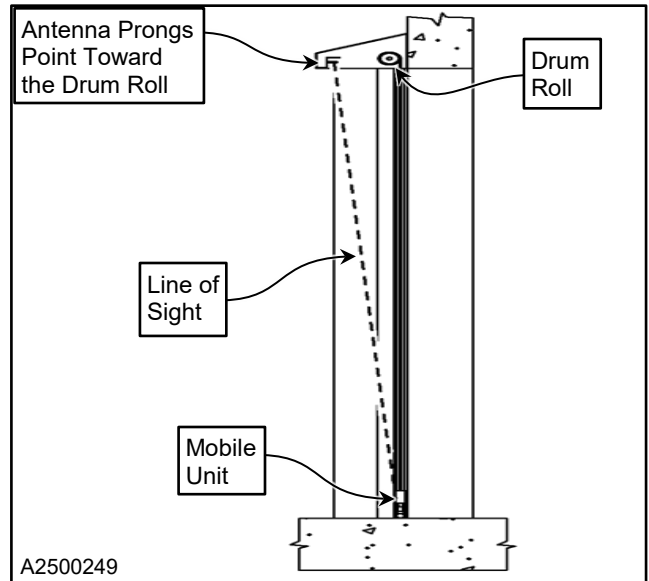


Figure 47

PHOTO EYE ALIGNMENT

The photo eye has no gain adjustment. Changing the position is the only available adjustment. (See Figure 48)

ADJUSTMENTS-DOOR PANEL ROLL ASSEMBLY ADJUSTMENT

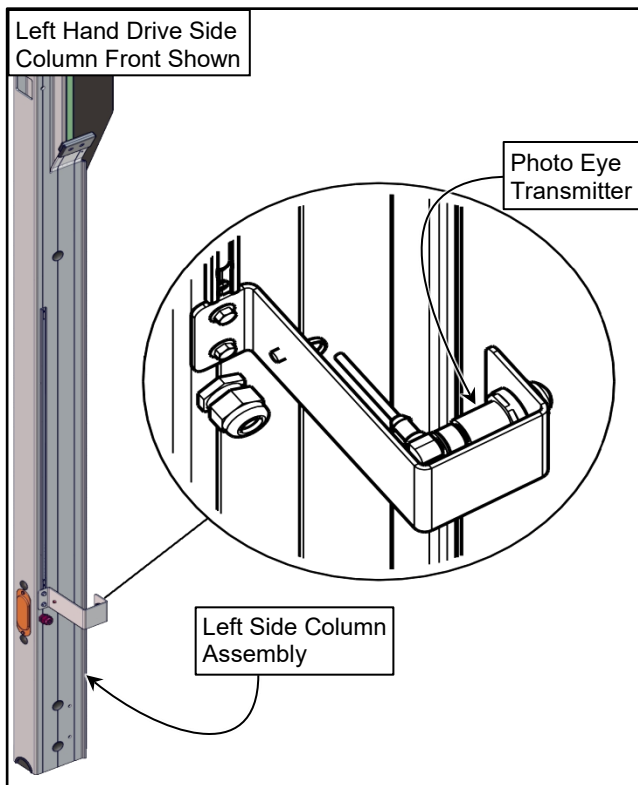


Figure 48

1. Check to see that the photo eyes on the front side of the door have been installed for a horizontal beam across the door opening. (See Figure 49)

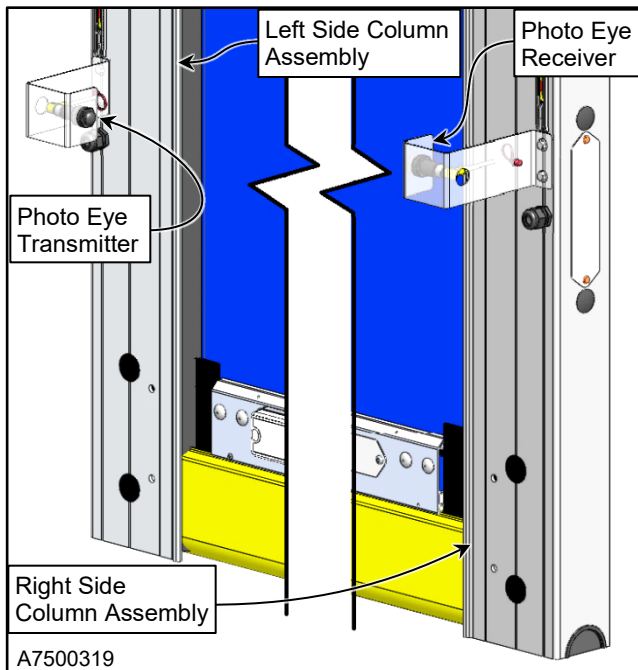


Figure 49

2. Align the photo eyes on the front side of the door.

NOTE: Loosening the cap screws will give you a small amount of adjustment of the mounting bracket.

When the photo eyes are aligned, the yellow light of the receiver module will be illuminated. (See Figure 49)

3. When the photo eyes are aligned, the yellow light of the receiver module will be illuminated. (See Figure 49)
4. Adjust the photo eyes on the rear side of the door as required in the same way.

DOOR PANEL ROLL ASSEMBLY ADJUSTMENT

1. If the door panel is not tracking properly when being rolled up on the drum, verify that the door panel assembly is level as shown. Adjust as required. (See Figure 50)

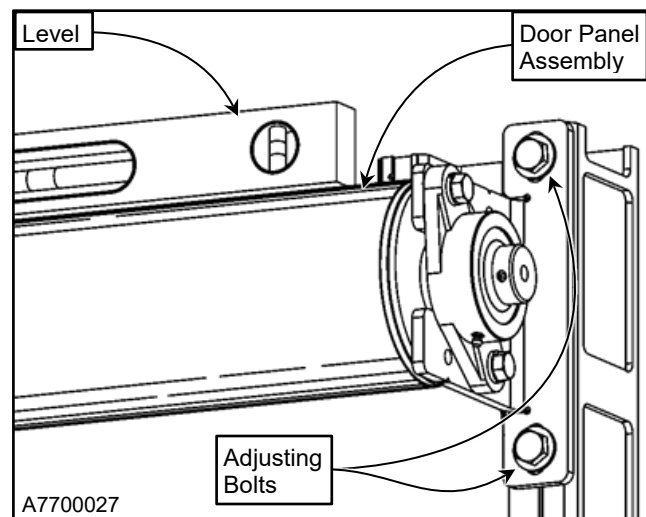


Figure 50

If the door panel assembly is level and the panel does not track properly when being rolled up, ensure that the side columns are plumb. Adjust as required.

MOTOR BRAKE ADJUSTMENT

The motor brake adjustment procedure depends on which motor is used on the door assembly. They are either the SEW or ABM motors.

SEW Motor Brake Adjustment

1. Move the door to the fully closed position by pressing the door close (▼) button located on the control panel.
2. Remove power to the control panel by placing the electrical disconnect in the OFF position.

⚠ WARNING

The electrical disconnect must be in the OFF position & properly locked and tagged before performing the following procedures.

3. Remove the manual brake release lever.

- Loosen hex-head bolts retaining the dust cover to the motor assembly. Remove the cover. (See Figure 51)

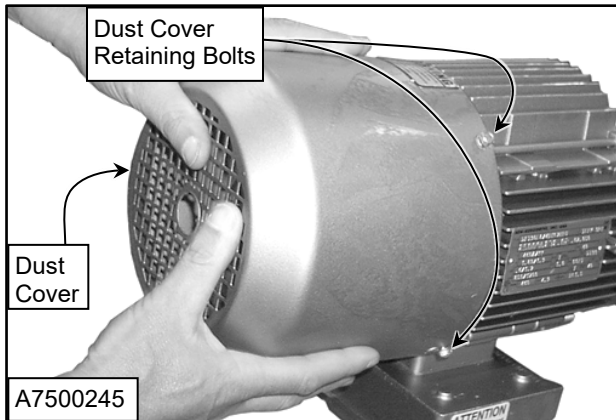


Figure 51

- Remove sealing band. (See Figure 52)

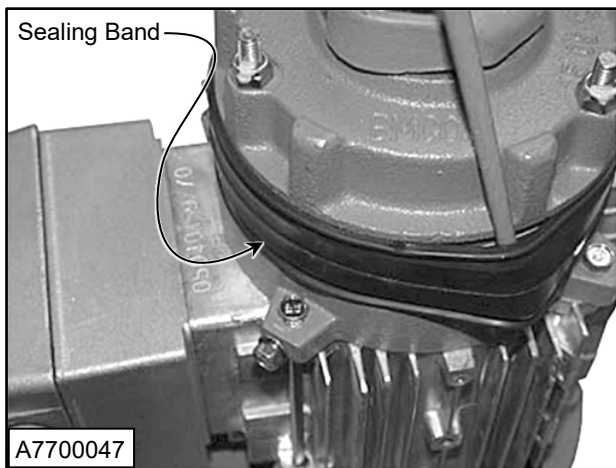


Figure 52

- Using a feeler gauge and a nut driver, adjust the retaining nuts until you achieve the proper air-gap (0.010–0.024-in.). (See Figure 53 and Figure 54)

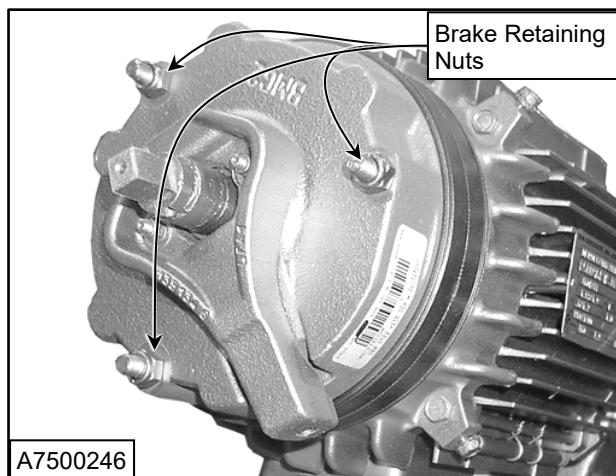


Figure 53

CAUTION

All retaining nuts and air-gap must be equally set throughout the entire circumference of the brake or the parts will wear unevenly.

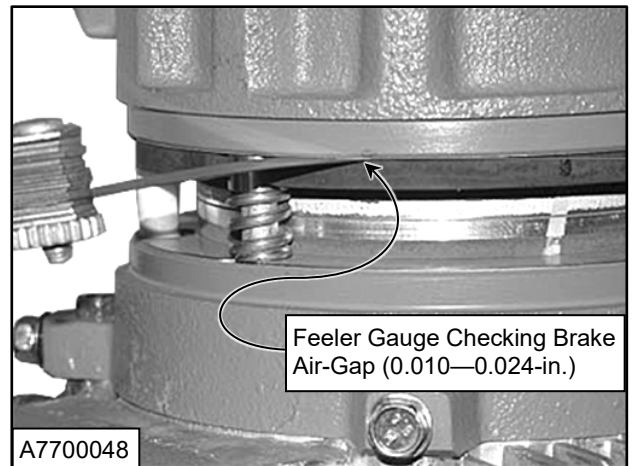


Figure 54

- Reinstall the dust cover and the manual brake release lever.
- Restore power to the door and perform operations check.

ABM Motor Brake Adjustment

The ABM motor gearbox brake is not designed to be adjusted. Therefore, if any issues develop regarding the brake please contact the RYTEC Technical Support Department at 800-628-1909.

REPLACEMENT PROCEDURES

WEATHER SEAL

There are brush seals on the front & rear side of the door panel in the side columns as well as a brush seal between the door and the wall along the door's top lintel. (See Figure 55 & Figure 56)

NOTE: On doors equipped with a hood, the hood will have to be removed to gain access to the weather seal.

REPLACEMENT PROCEDURES-WEATHER SEAL

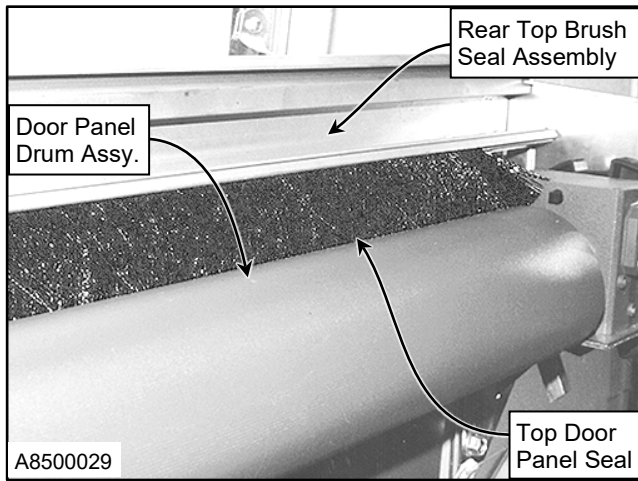


Figure 55

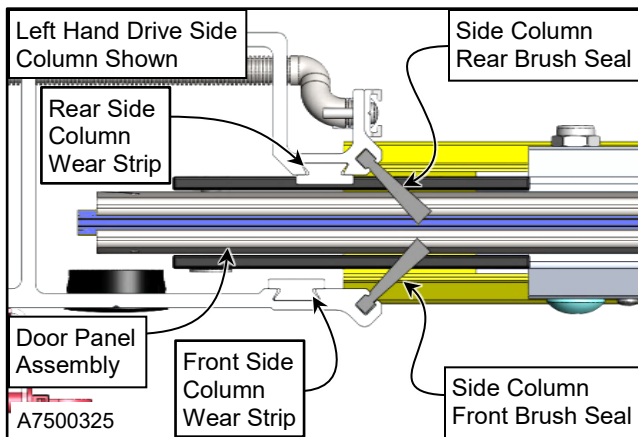


Figure 56

Header Assembly

1. Move the door to the fully closed position by pressing the door close (▼) button located on the control panel.
2. Remove power to the control panel by placing the electrical disconnect in the OFF position.



The electrical disconnect must be in the OFF position & properly locked and tagged before performing the following procedures.

3. From either side, remove two serrated-flange hex screws and nuts securing the header brush seal assembly & support bracket to the side column. Also remove any fasteners supporting the header extrusion to the wall if applicable. (See Figure 59
4.)
5. Lift the header extrusion slightly to gain clearance, and remove the damaged weather seal by sliding it out of the extrusion.
6. Insert the new weather seal into the channel. (See Figure 59 & Figure 59 for positions)

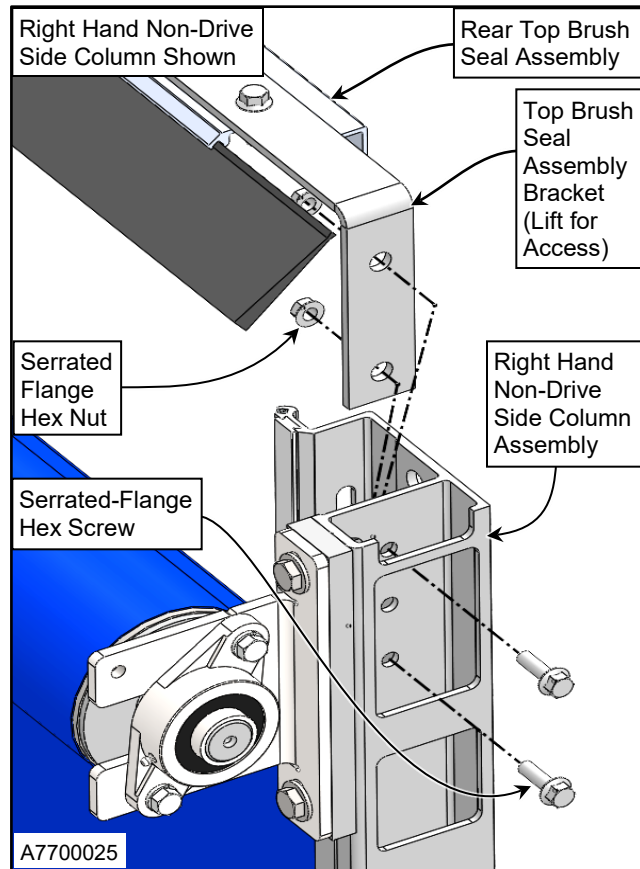


Figure 57

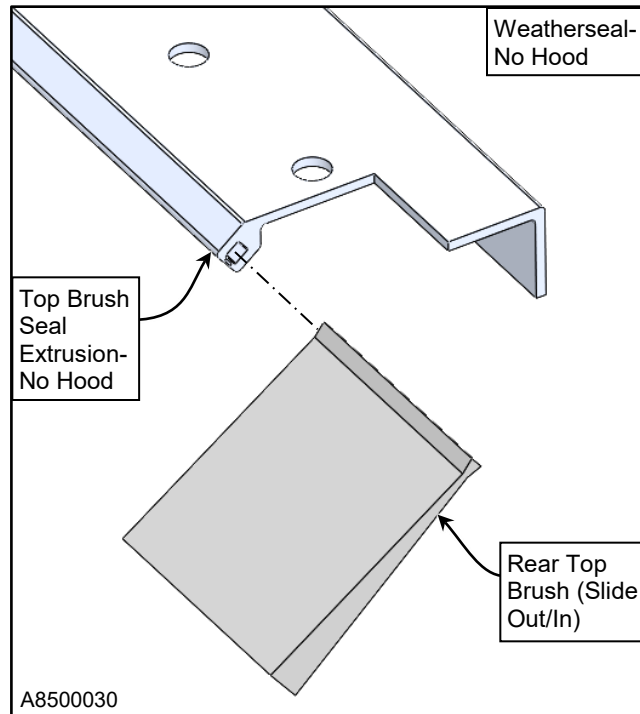


Figure 58

REPLACEMENT PROCEDURES-WEATHER SEAL

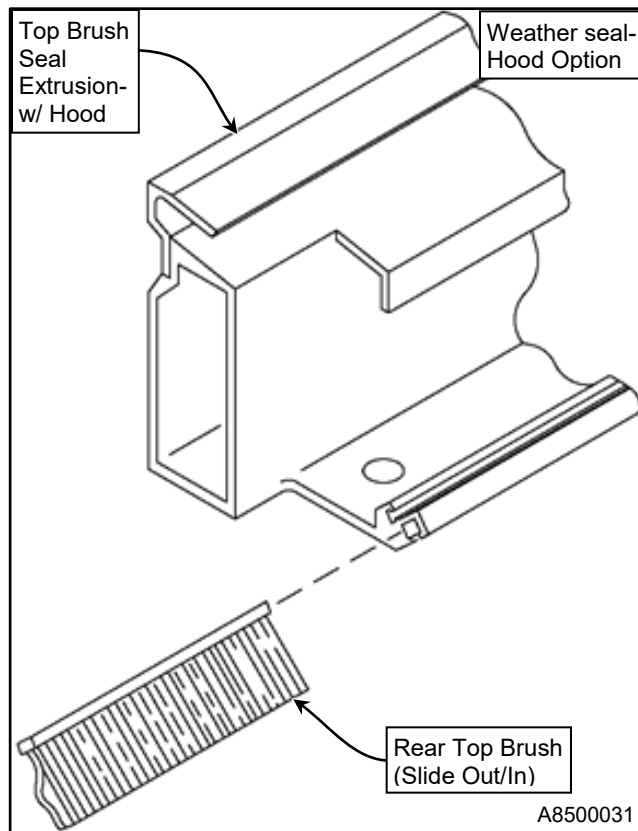


Figure 59

7. Lower the header extrusion and secure to the side column with serrated-flange hex screws and nuts.

Side Columns

1. Move the door to the fully closed position by pressing the door close (▼) button located on the control panel.
2. Remove power to the control panel by placing the electrical disconnect in the OFF position.

⚠ WARNING

The electrical disconnect must be in the OFF position and properly locked and tagged before performing the following procedures.

3. Remove the top brush seal assembly as listed in the prior "Header Assembly" section. Remove the top set screws in the side columns & remove the brush seal(s). (See Figure 59 & Figure 60

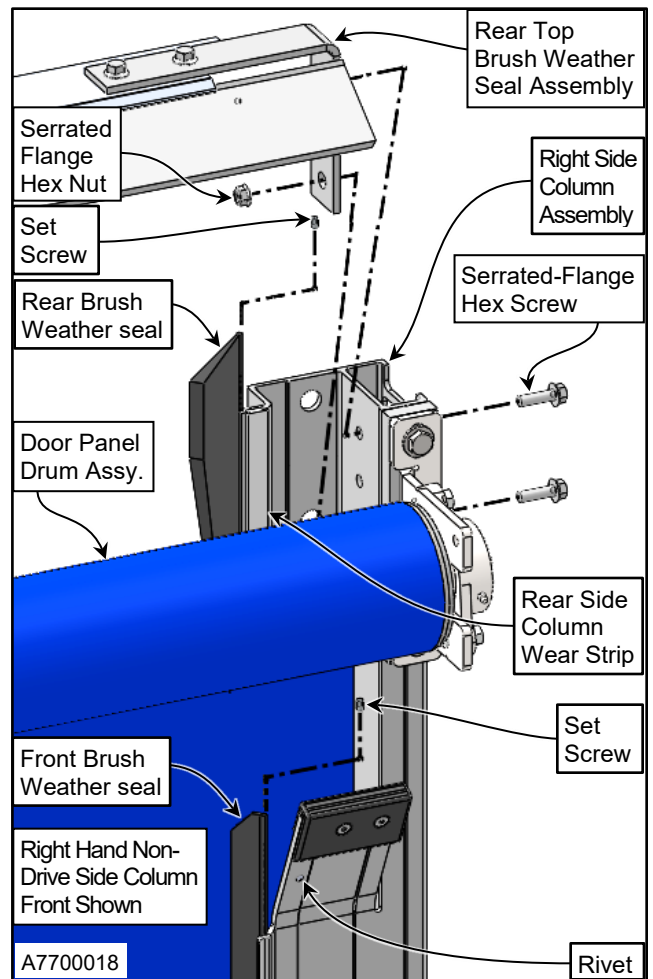


Figure 60

4. Install new brush seals and fasten in place with the set screw(s).

PARTS LIST-PARTS ORDERING INFORMATION

PARTS LIST

PARTS ORDERING INFORMATION

How to Order Parts

1. Identify the parts required by referring to the following pages for part numbers and part descriptions.
2. To place an order, contact your local Rytec representative or the Rytec Technical Support Department at 800-628-1909 or 262-677-2058 (fax). Rytec Corporation also has an on-line store at WWW.Rytecparts.com access to this on-line store requires an invitation from Rytec. The on-line store is open 24/7, 365 days. Some items are available to ship next day. Not all Rytec parts are carried in the on-line store.
3. To ensure the correct parts are shipped, please include the serial number of your door with the order. The serial number is located on the door in several locations per the "DOOR SERIAL NUMBER(S)" section (See page 1). All these serial numbers must match. (See Figure 61)

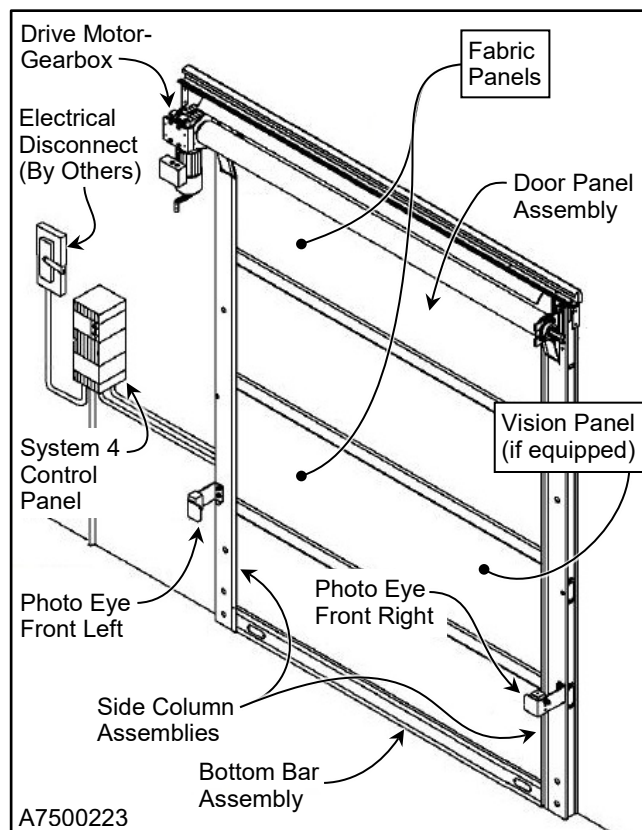


Figure 61

Substitute Parts

Due to special engineering and product enhancement, the actual parts used on your door may be different from those shown in this manual.

Also, if a part has been improved in design and bears a revised part number, the improved part will be substituted for the part ordered.

Return of Parts

Rytec will not accept the return of any parts unless they are accompanied by a Return Merchandise Authorization (RMA) form.

Before returning any parts, you must first contact the Rytec Technical Support Department to obtain authorization and an RMA number.

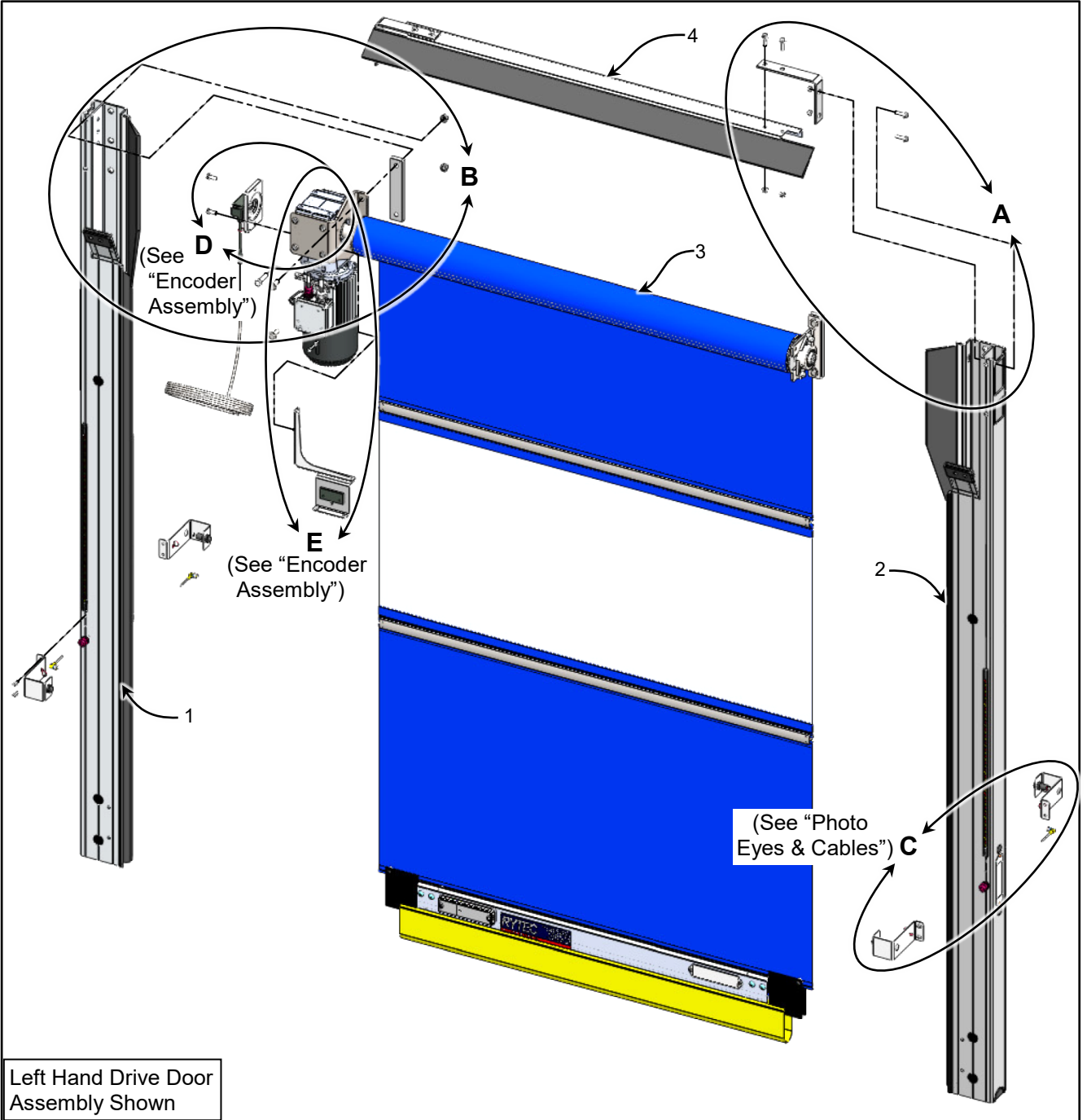
IMPORTANT: Obtain an incident number from the Rytec Technical Support Technician.

RYTEC TECHNICAL KNOWLEDGE CENTER

At WWW.Rytecdoors.com under the "Contact Us" pull down tab, a link to the Rytec Technical Knowledge Center can be found by selecting the "Customer Support" option. You will be directed to the Customer Support webpage. Within the "Technical Documents and Manuals" section you will find the link "Rytec Technical Knowledge Center".

This knowledge center contains on-line manuals, service bulletins, and video presentations of various Rytec models and repair information.

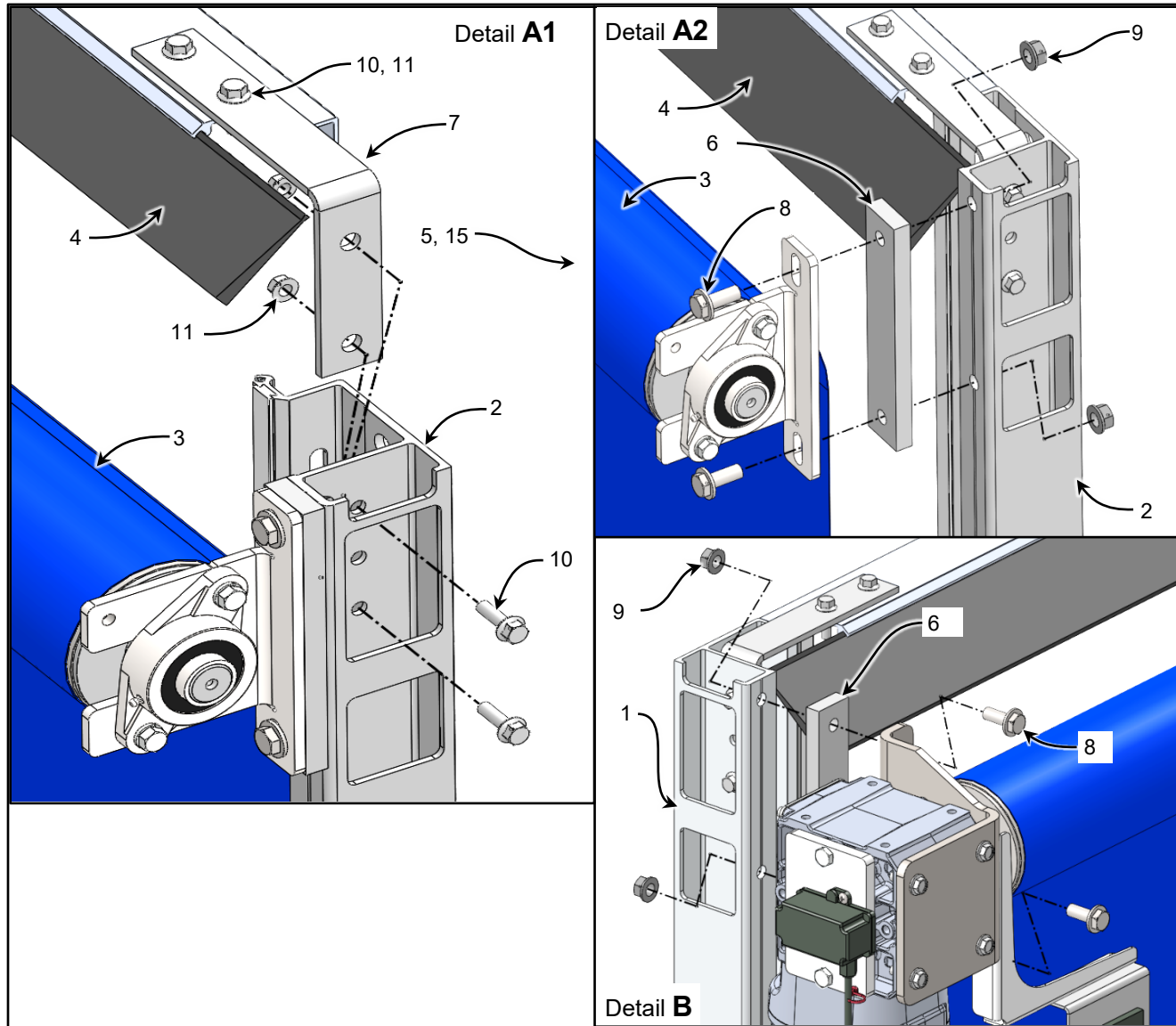
PREDADOOR ASSEMBLY-LAYOUT



Left Hand Drive Door
Assembly Shown

PARTS LIST-PREDADOOR DOOR ASSEMBLY-LAYOUT

PREDADOOR DOOR ASSEMBLY-LAYOUT



PARTS LIST-PREDADOOR ASSEMBLY-LAYOUT BOM

PREDADOOR ASSEMBLY-LAYOUT BOM

ITEM	QTY.	PART #	DESCRIPTION
-	1	CF	Final Assembly, PredaDoor NXT
1	1	CF	Assembly, Side Column, NXT, LH
2	1	CF	Assembly, Side Column, NXT, RH
3	1	R1060340-XX	Assembly, Drive, Roll, Panel
4	1	R1060342-0	Header Assembly, No Hood
5	A/R	CF	Hood Assembly, w/ Header, LH (not shown)
			Hood Assembly, w/ Header, RH (not shown)
6	A/R	R0703353	Spacer, Motor Side, PD (used if PH>14 feet or #Windribs≥5)
7	A/R	R0703026	Bracket, L Header
8	4	R0550303	Screw, 1/2-13UNC x 1-1/4 LG Serrated, GR 5
		R0550024	HHCS, Screw, 1/2-13UNC x 2.00 LG, GR 5 ZN (used if PH>14 feet or #Windribs≥5)
9	4	R0553100	Nut, 1/2-13UNC, Hex, Flng, Lock, ZN
10	A/R	R0550261	HFSMS, 3/8-16 x 1-1/4, GR5.2 ZN
11	A/R	R553229	HLNSF, 3/8-16, STL ZN
12	1	R00142003	System 4 Control Assy (Not Shown)

CF = Consult Factory

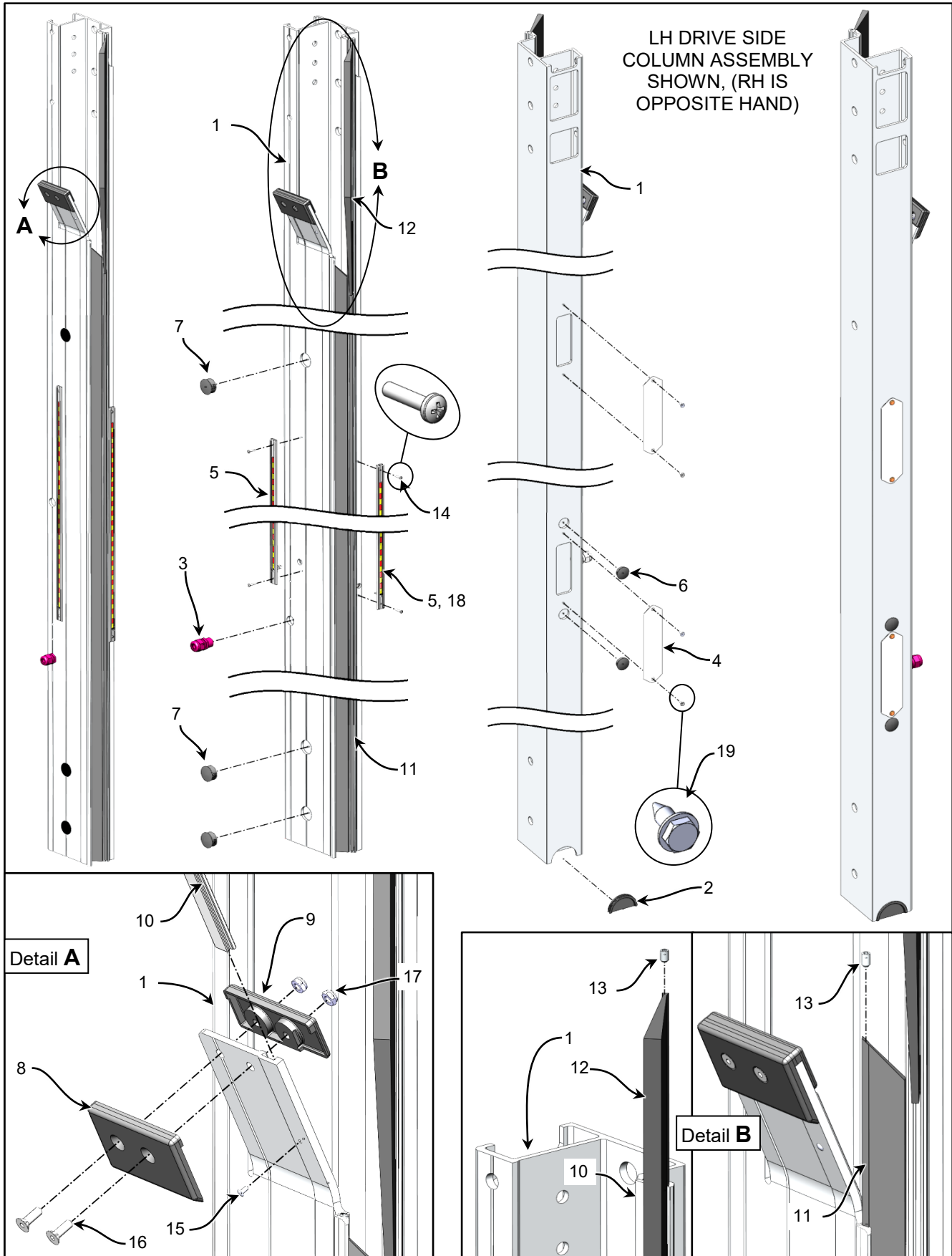
A/R = As Required

ALWAYS INCLUDE SERIAL NUMBER OF DOOR WHEN PLACING ORDER

Due to product enhancement, the actual parts on your door may be different from those shown in this manual.

PARTS LIST-SIDE COLUMN ASSEMBLY

SIDE COLUMN ASSEMBLY



PARTS LIST-SIDE COLUMN ASSEMBLY BOM

SIDE COLUMN ASSEMBLY BOM

ITEM	QTY.	PART #	DESCRIPTION
-	1	CF	Assembly, Side Column, PredaDoor NXT
1	1	R1060105-XX	Side Column, Machined, NXT
2	1	R1060115-0	Hole Plug, Half Moon, NXT
3	1	R0014491	Cord Grip, ½" NPT
4	A/R	R1060608-0Z01	Cover, Bottom Bar
5	A/R	R1210173-0	LED Warning Strip Kit
6	2	R1060164-0	Dome Plug, Ø25mm, ⅛" Max Wall
7	A/R	R5550088-0	Dome Plug, Ø1.25", ¼" Max Wall
8	1	R1060118-1A	Guide, Side Column Refeed, LH Front, LH, NXT
		R1060118-2A	Guide, Side Column Refeed, RH Front, RH, NXT
9	1	R1060118-1B	Guide, Side Column Refeed, LH Rear, LH, NXT
		R1060118-2B	Guide, Side Column Refeed, RH Rear, RH, NXT
10	2	R0705011	Wear Strip
11	2	R1200141-0	Brush, 1" Trim, #4 Alum Back
12	1	R1060152-0	Brush, 4" Trim, #4, 24" L Tapered
13	4	R5550160-0Z04	SHSS, M6-1.0 x 10, Knurl Point, SS
14	A/R	R5550143	PPTS, #6 x ¾", SS
15	1	R0556323	Rivet, Ø1/8 x ¼ Grip
16	2	RS021698	FSCS, ¼-20 x ¾", SS
17	2	R0553277	Nut, ¼-20, Hex, NYLOC, ZN, Thin
18	1	R1210180-0	Corrugated Loom Tubing Slit, Ø¼", Black
19	A/R	R0551325	HWSDS, #10-16 x ½", STL ZN
20	A/R	R1210181-0	Prewire Assembly, LED Terminal Block, Double (not shown)

CF = Consult Factory

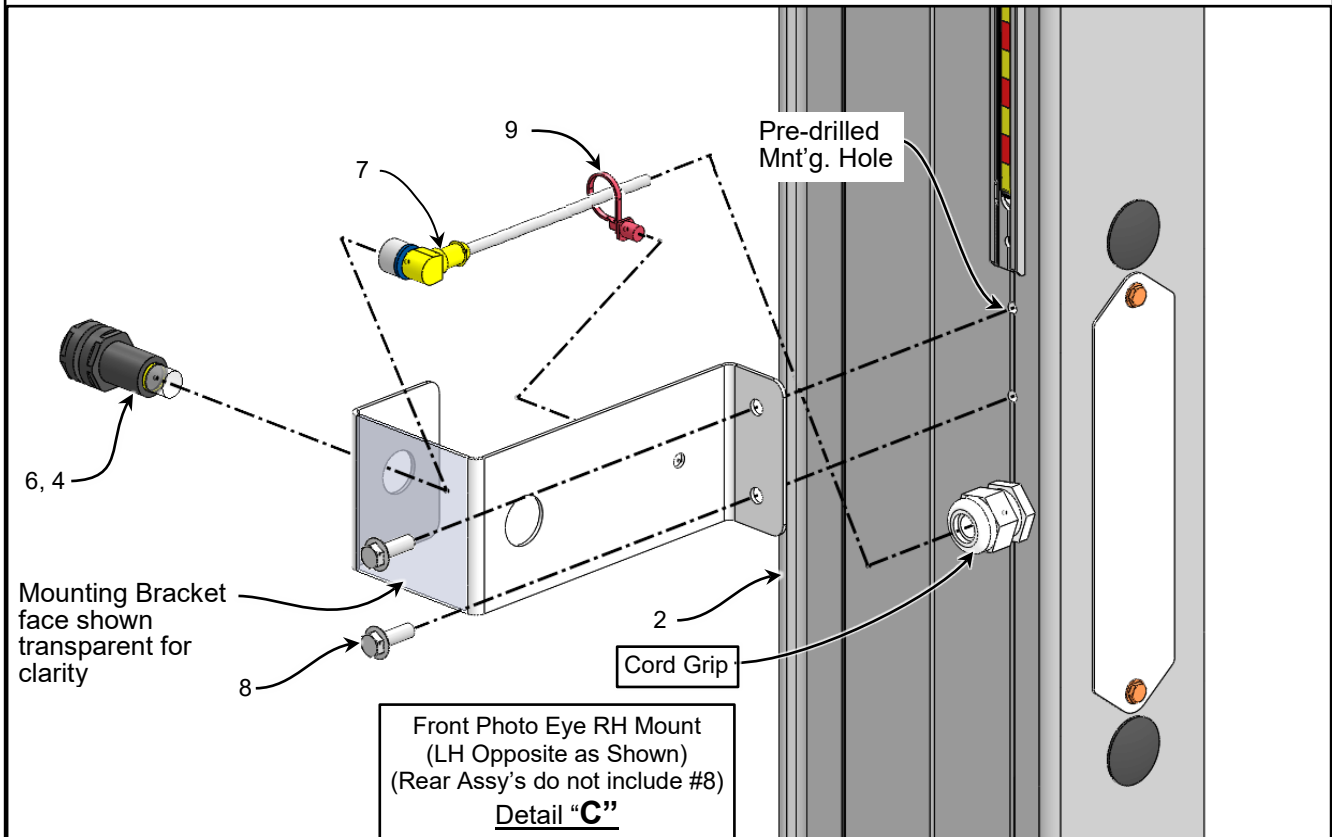
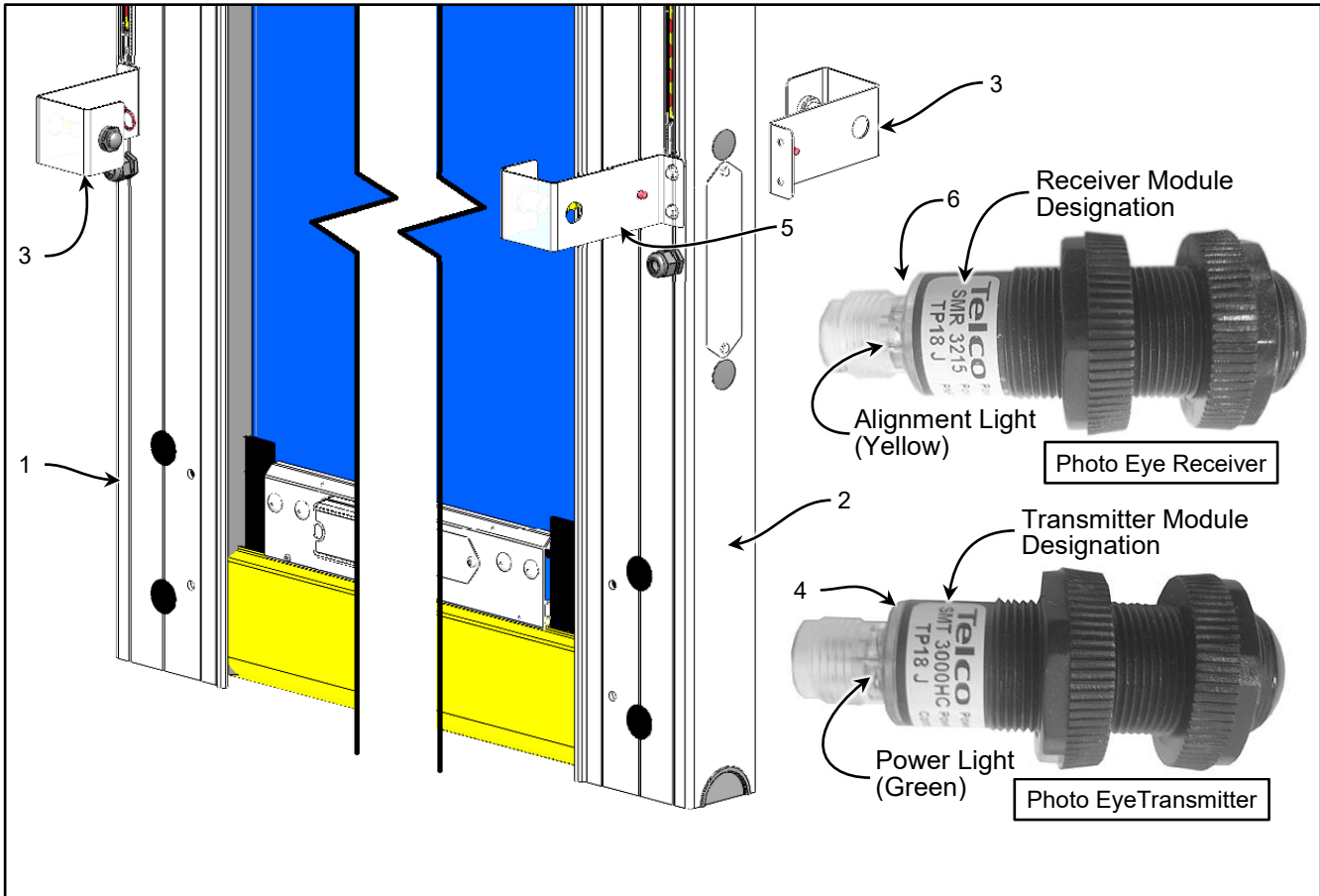
A/R = As Required

ALWAYS INCLUDE SERIAL NUMBER OF DOOR WHEN PLACING ORDER

Due to product enhancement, the actual parts on your door may be different from those shown in this manual.

PARTS LIST-FRONT/REAR PHOTO EYES & CABLES

FRONT/REAR PHOTO EYES & CABLES



PARTS LIST-FRONT/REAR PHOTO EYES & CABLES BOM

FRONT/REAR PHOTO EYES & CABLES BOM

ITEM	QTY.	PART #	DESCRIPTION
-	REF	CF	Final Assembly, PredaDoor NXT Photo Eye/Cable Detail
1	1	CF	Assembly, Side Column, NXT, LH
2	1	CF	Assembly, Side Column, NXT, RH
3	2	R1210614-0A01	Assembly, Photo Eye Transmitter, 18mm
4	2 (REF)	R00141087	Photo Eye, Transmitter, Telco SMT-3000 (1/PE Assy. #3)
5	2	R1210614-0B01	Assembly, Photo Eye Receiver, 18mm
6	2 (REF)	R00141088	Photo Eye, Receiver, Telco SMR-3215 (1/PE Assy. #4)
7	4	R0012053	Photo Eye Cable, 4-Pole, Banner Mini-beam, 50ft
8	4	R0550016	HFSMS, 1/4-20 UNC x 3/4 Hex Flanged Socket Mach. Screw (Front mount only)
9	4 (REF)	R0005401	Tie, Cable, Push Stud Mtg. (1 each in #3 & #4)

CF = Consult Factory

A/R = As Required

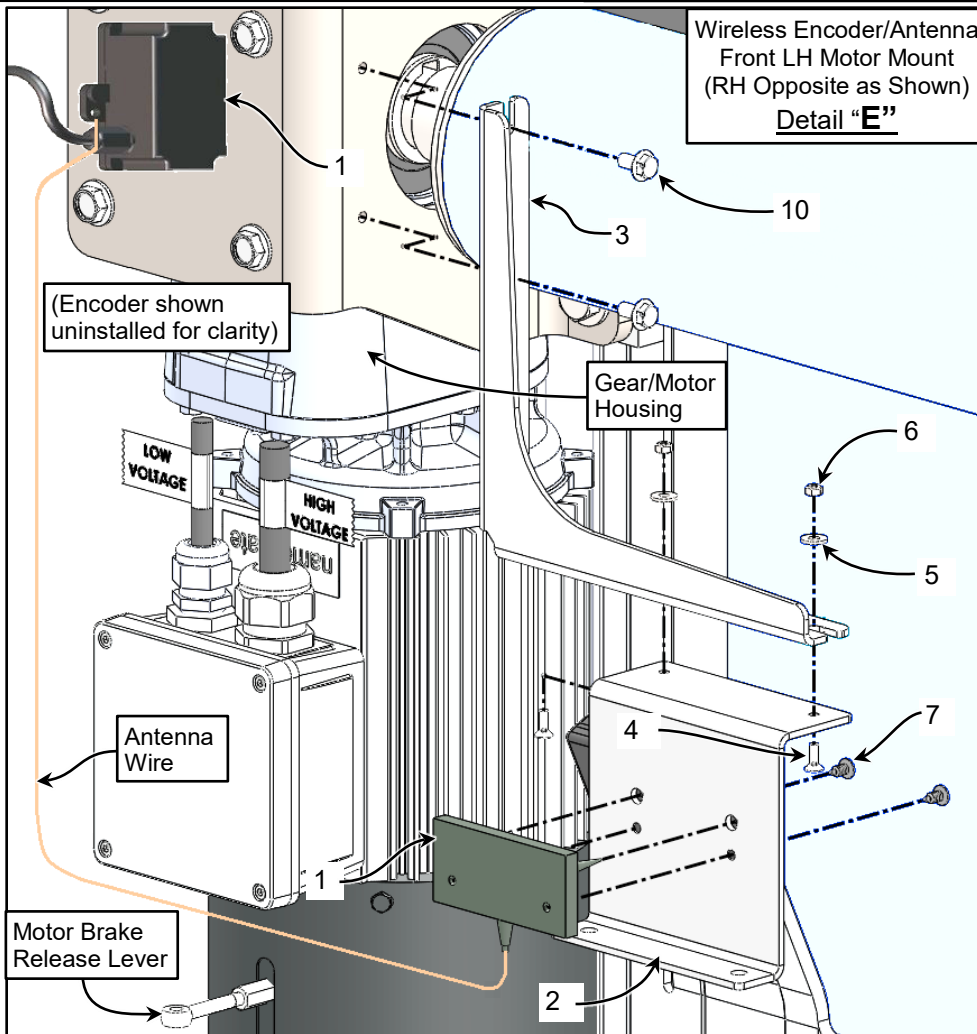
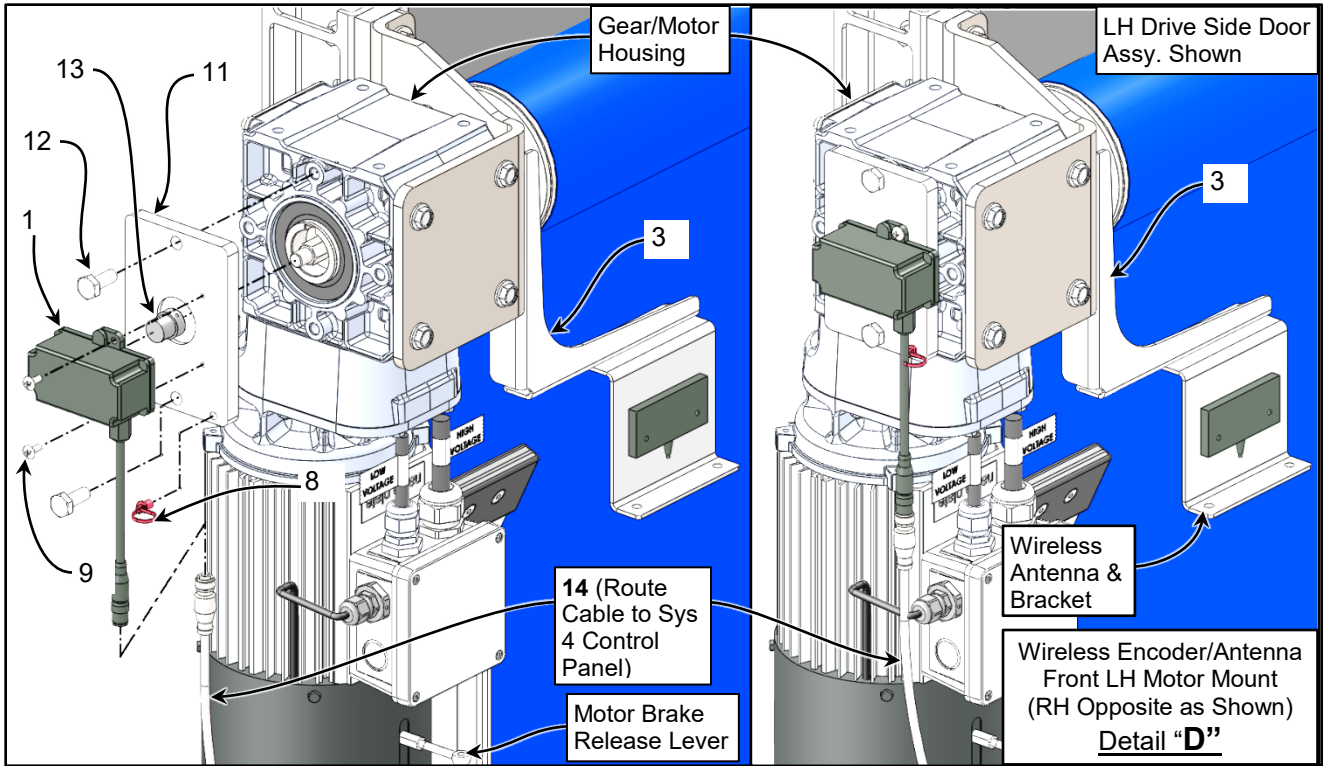
Items are produced based on manufactured height and width of door.

ALWAYS INCLUDE SERIAL NUMBER OF DOOR WHEN PLACING ORDER

Due to product enhancement, the actual parts on your door may be different from those shown in this manual.

PARTS LIST-WIRELESS ANTENNA BRACKET & ENCODER ASSEMBLY

WIRELESS ANTENNA BRACKET & ENCODER ASSEMBLY



PARTS LIST-WIRELESS ANTENNA BRACKET & ENCODER ASSEMBLY BOM

WIRELESS ANTENNA BRACKET & ENCODER ASSEMBLY BOM

ITEM	QTY.	PART #	DESCRIPTION
-	1	CF	Wireless Encoder & Bracket Assy, LH
			Wireless Encoder & Bracket Assy, RH
1	1	R00142058 ^{††}	Wireless Encoder w/ Antenna, XR, PD
		R00141134 [†]	Encoder, FEIG, TST
2	1	R1050036-0Z03 ^{††}	Bracket, Wireless Antenna Mounting
3	1	R1060617-0Z01 ^{††}	Wireless Antenna Bracket
4	2	R5550054-0Z04 ^{††}	PFMS, M4-0.7 x 12, ZN
5	2	R5550329-0Z04 ^{††}	Washer, Flat, M4, SS
6	2	R5550057-0Z01 ^{††}	HLNNI, Nut, M4-0.7, Hex Lock, w/ Nylon Insert, SS
7	2	R5550264-0 ^{††}	Ratchet Fastener, 0.160 Hole x 0.040-0.250 Thk, Black Nylon
8	1	R0005401	Cable Tie, Insert
9	2	RS550317	PTMS, Screw, #10-24 x 1/2", Phil Truss HD, SS
10	2	R0021048 ^{††}	HFSMS, 1/4-20 x 1/2, GR5.2 ZN
11	1	R1170774-0	Encoder Mounting Plate, ABM
12	REF	R01260320	HHCS, M10 x 25, DIN 933.8-8 ZN
13	REF	R00141030	Shaft End, FEIG Encoder, Short (contained in #1)
14	1	R00141086	Encoder Cable Female, A, 8 Pin, 15

CF = Consult Factory
A/R = As Required

[†] Only used with Coil Cord
^{††} Only used on Wireless

*Installed Only on Side Columns of Door's Drive Side.

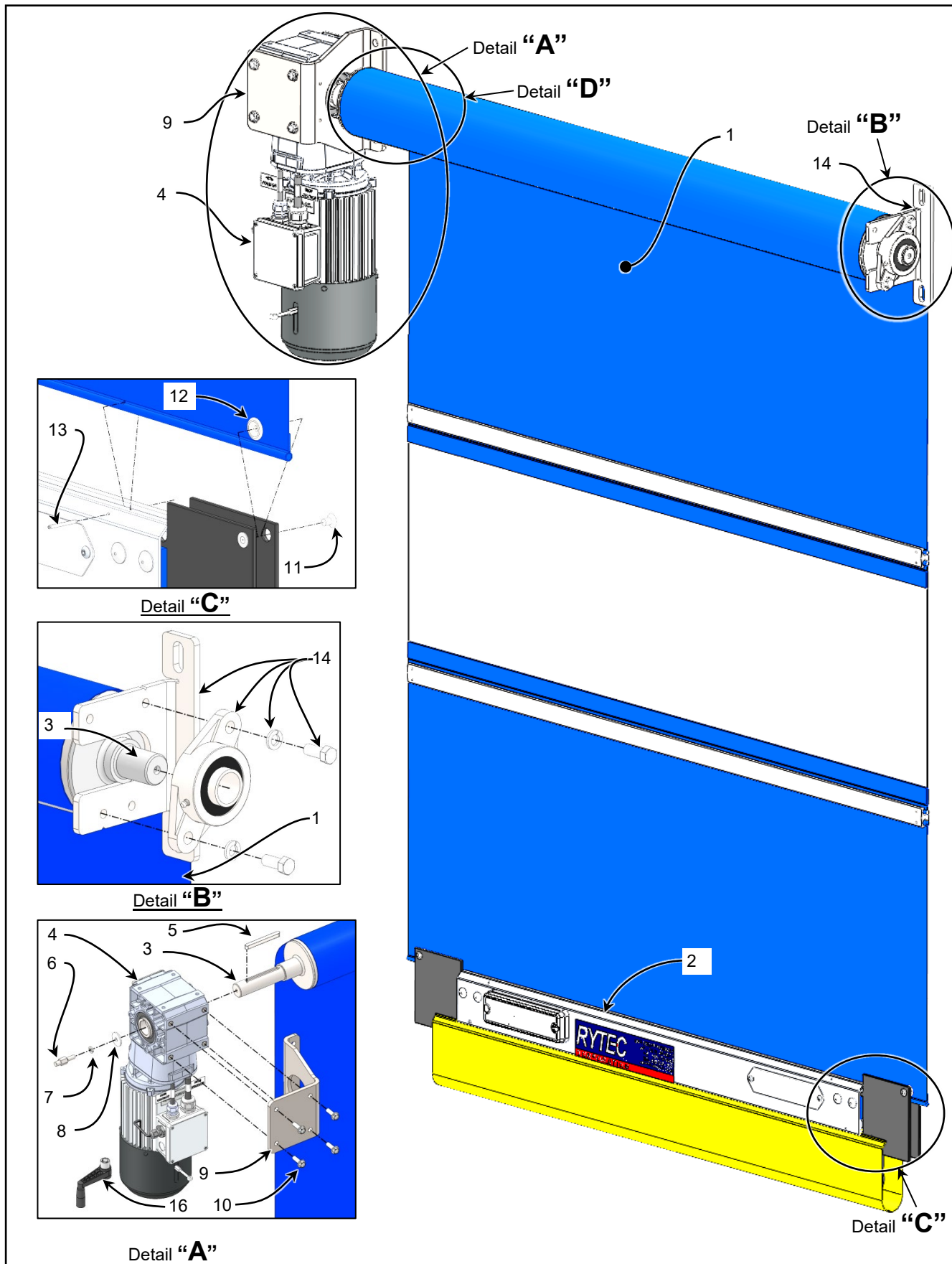
Items are produced based on manufactured height and width of door.

ALWAYS INCLUDE SERIAL NUMBER OF DOOR WHEN PLACING ORDER

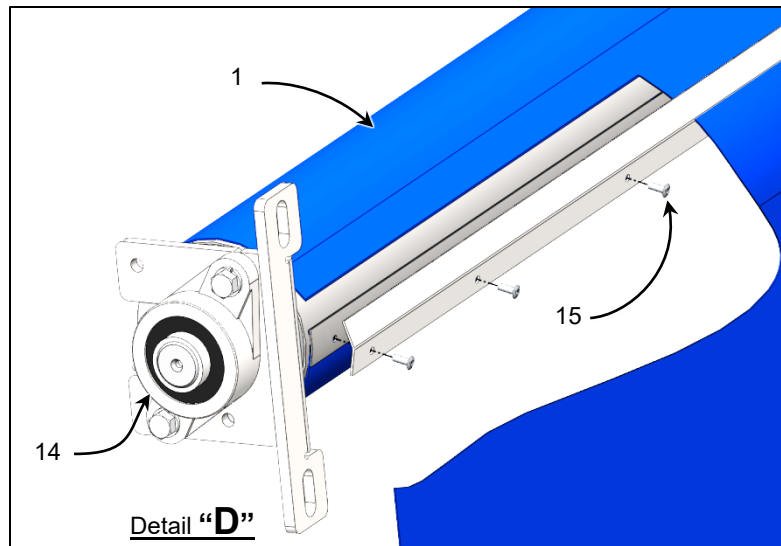
Due to product enhancement, the actual parts on your door may be different from those shown in this manual.

PARTS LIST-DRIVE, ROLL, & PANEL ASSEMBLY

DRIVE, ROLL, & PANEL ASSEMBLY



PARTS LIST-DRIVE, ROLL, & PANEL ASSEMBLY BOM



DRIVE, ROLL, & PANEL ASSEMBLY BOM

ITEM	QTY.	PART #	DESCRIPTION
-	1	R1060340-1X	Drive, Roll, & Panel Assy, LH
		R1060340-2X	Drive, Roll, & Panel Assy, RH
1	1	CF	Door Panel Assembly
2	1	CF	Assembly, Bottom Bar
3		R1060339-0X	Drum Weldment, Eurodrive Shaft
4	1	R1170767-0X	Assy, ABM Motor
		R1060354-0	Assy, Motor, Sys 4, PD (not shown)
5	1	R0704019	Key, 3/8 x 3/8 x 3.98" Lng, Round End
6	1	RS703988	Coupler Shaft, FEIG Encoder
7	1	RS554225	Washer, 3/8 Split Lock, SS
8	1	R5550015-0Z01	Washer, 1.425 x .41 x .135
9	1	R1060611-0X	Bracket, ABM Motor
		R0703908	Bracket, Euro Motor, 2.88CL
		R0703475	Bracket, SEW Motor, 3.63CL
10	4	R0021757	Hex Bolt, Serrated Flange, M10-1.5 x 30mm, ZN
11	2(A/R)	R0021531	PFMS, Screw, 1/4-20 x 3/8", Steel ZN, Patch (Vinyl/Screen Only)
12	2(A/R)	R0004007	Grommet, 228-2100-207 (Vinyl/Screen Only)
13	2	R5550024-0Z04	Pin, 1/8 x 1-1/4", Spring, SS
14	1	R1060108-0X	Non-Drive Bearing Assembly, 2.88" CL
			Non-Drive Bearing Assembly, 3.63" CL
15	A/R	R0556167	Rivet, Ø3/16 x 1/2" Grip, BRSSSS68D
16	1	R0704038	Crank, Hand

CF = Consult Factory

A/R = As Required

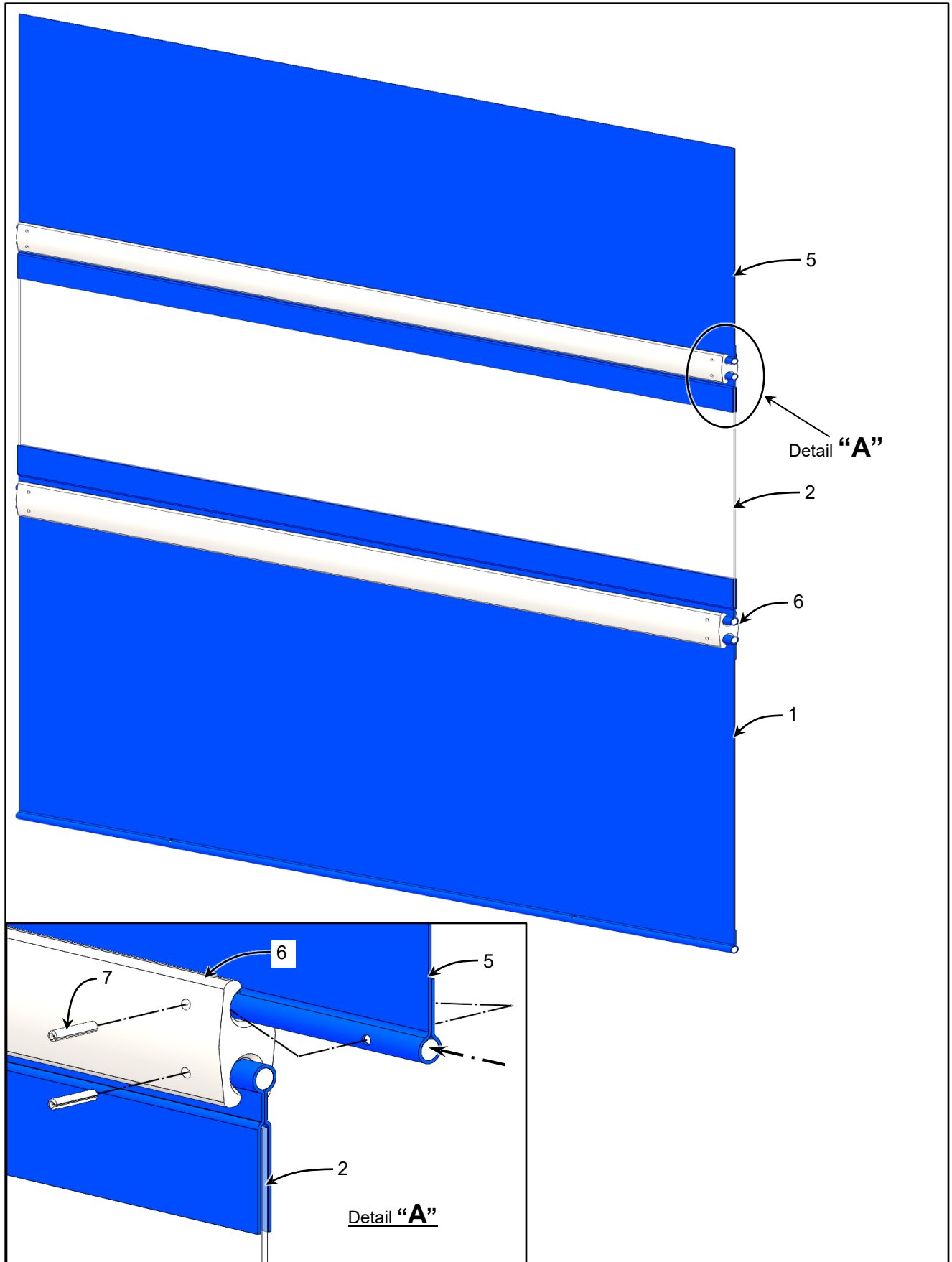
Items are produced based on manufactured height and width of door.

ALWAYS INCLUDE SERIAL NUMBER OF DOOR WHEN PLACING ORDER

Due to product enhancement, the actual parts on your door may be different from those shown in this manual.

PARTS LIST-PANEL ASSEMBLY

PANEL ASSEMBLY



PANEL ASSEMBLY BOM

ITEM	QTY.	PART #	DESCRIPTION
-	1	CF	Assembly, Door Panel
1	1	CF	Assembly, Bottom Panel, #1
2	1	CF	Assembly, Center Panel, #2
3	A/R	CF	Assembly, Center Panel, #3
4	A/R	CF	Assembly, Center Panel, #4
5	1	CF	Assembly, Top Panel, #5
6	A/R	CF	Windrib, Hole Layout
7	A/R	R0552324	Pin, Roll, Ø1/8 x 5/8" Lng, Slotted, ZN

CF = Consult Factory

A/R = As Required

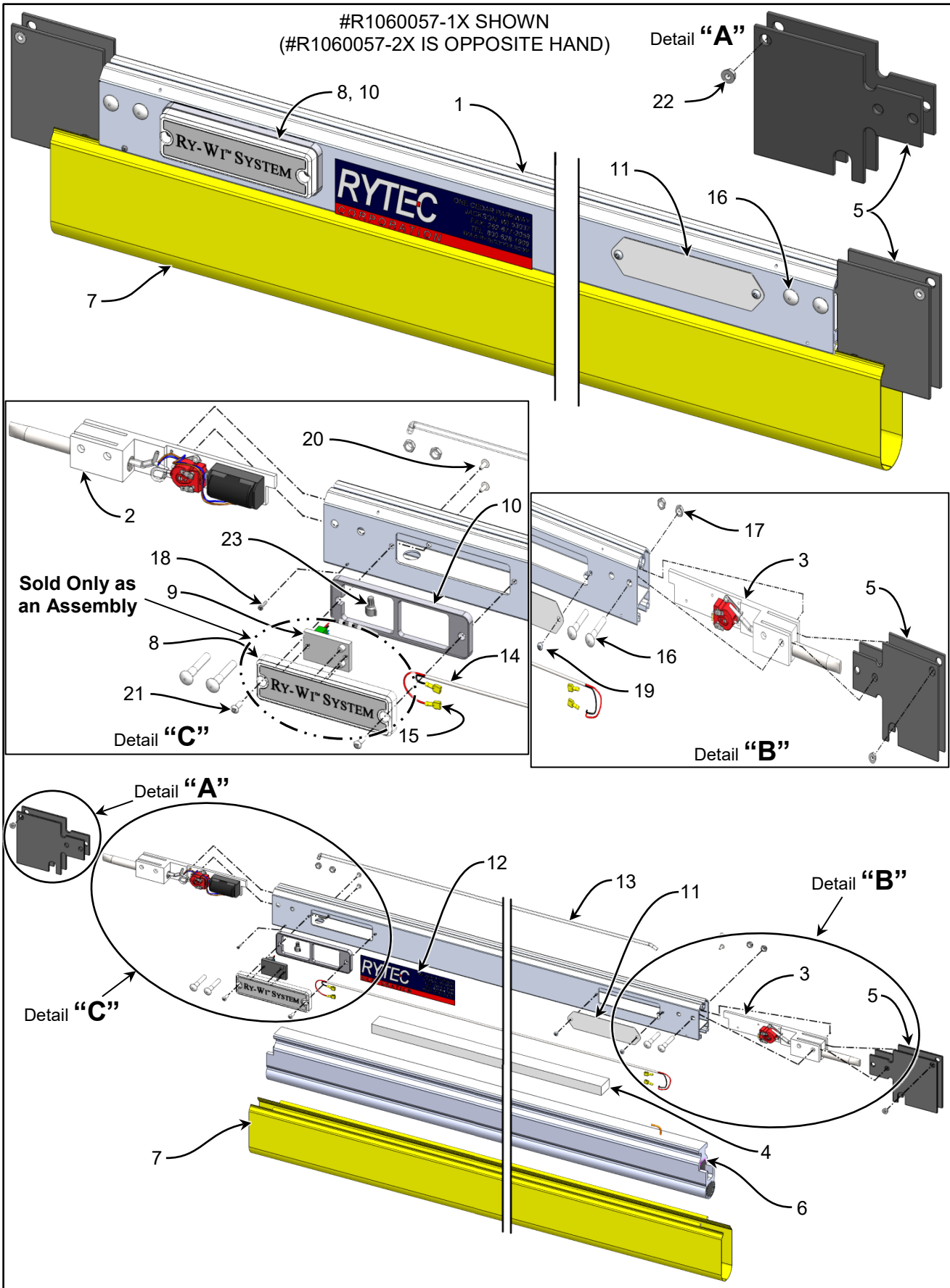
Items are produced based on manufactured height and width of door.

ALWAYS INCLUDE SERIAL NUMBER OF DOOR WHEN PLACING ORDER

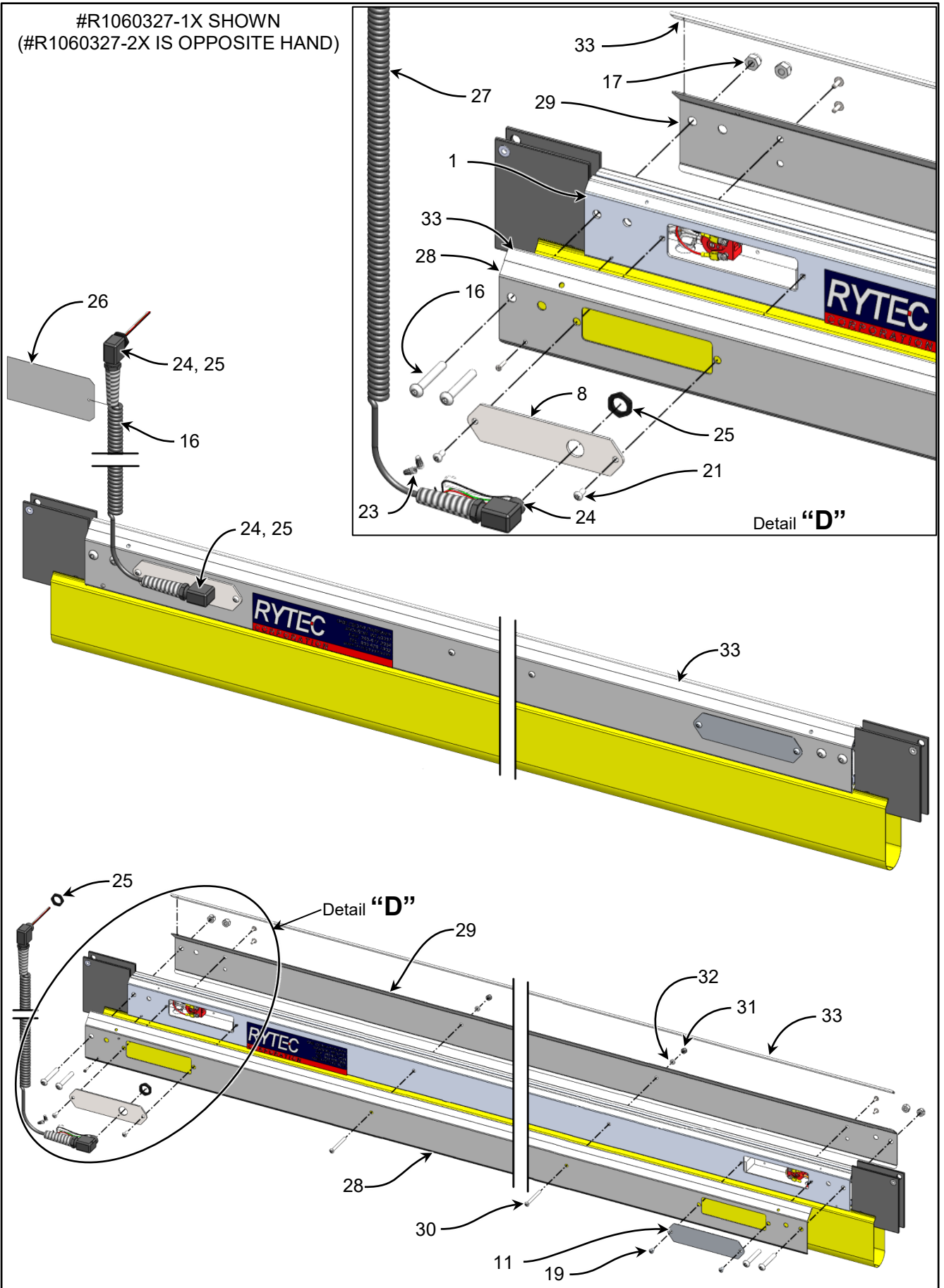
Due to product enhancement, the actual parts on your door may be different from those shown in this manual.

PARTS LIST-BOTTOM BAR ASSEMBLY

BOTTOM BAR ASSEMBLY



PARTS LIST-BOTTOM BAR ASSEMBLY



PARTS LIST-BOTTOM BAR ASSEMBLY BOM

BOTTOM BAR ASSEMBLY BOM

ITEM	QTY.	PART #	DESCRIPTION
-	1	CF	Bottom Bar Assembly, Foam, LH (Wireless shown)
			Bottom Bar Assembly, Foam, RH (Wireless opposite hand of shown)
1	1	REF	Bottom Bar Machined, Foam Edge
2	1	R1060045-1	End Block Assy, LH, LH Drive, Wireless (shown)
		R1060038-1X	End Block Assy, LH (not shown)
3	1	R1060045-2X	End Block Assy, RH (LH Drive Wireless shown)
		R1060038-2	End Block Assy, RH, RH Drive, Wireless (not shown)
4	1	R1060058-0	Weight, Bottom Bar
		P0701081	Weight, Bottom Bar, Plated
5	4	R1060048-0B	Breakaway Tab, Molded, Black
6	1	R07991514	Edge Assembly, Foam
7	1	R1060322-0	Loop Seal, Vinyl, 5" Foam
8	1	R1060514-0	Cover Assy, Molded Unit, Molded, Potted (Transmitter included)
		R1060284-0Z01	Cover, Bottom Bar, w/ Cord Grip †
		R1060284-0Z04	Cover, Bottom Bar, w/ Cord Grip, SS † †
9	REF	R1210463-0	Transmitter, Wireless (contained in #R1060514-0)
10	1	R1070625-0	Gasket, Wireless Cover (not used w/ Coil Cord)
11	1	R1060608-0Z01	Cover, Bottom Bar
		R1060608-0Z04	Cover, Bottom Bar, SS † †
12	REF	REF	Label, RYTEC, Small
13	A/R	R0804219	Tube, PVC, 3/16 ID x 5/16 OD
14	1	RN000058	Wire, 22 Ga, 1-PR Unshielded PVC
15	4	R0012010	Terminal, 16-14 AWG, Female Spade
16	4	R0550318	CBRNL, 3/8-16UNC x 2-1/4" ZN
		R5550026-0Z04	BSCS, 3/8-16UNC x 2.50", SS † †
17	4	R0021564	Nut, 3/8-16UNC x Hex NYLOCK Thin Nut
		RS021070	Nut, 3/8-16UNC, Acorn, 18-8 SS † †
18	1	R0550235	Screw, #6-32UNC x 5/8, Pan Head, Self Tapping
		RS551230	Screw, #6 x 5/8" Lng, Pan Head, Self Tapping SS † †
19	2	R5550311-0Z04	BSCS, 1/4-20 x 1/4, SS
		R5550025-0Z04	BSCS, 1/4-20 x 3/8, SS † †
20	4	R0550317	Screw, #10-24UNC x 1/2, Phillip Truss Head
		RS550317	Screw, #10-24UNC x 1/2, Phillip Truss Head, SS † †
21	2	R5550048-0Z01	BSCS, 1/4-20UNC x 5/8", ZN
		RS550643	BSCS, 1/4-20UNC x 3/4", BHCS, 18-8 SS † †
		R5550025-0Z01	BSCS, 1/4-20 x 3/8, ZN †
		RS021792	Screw, 1/4-20UNC x 1/2", BHCS, SS † † †
22	2	R0553103	Nut, 1/4-20, Hex, Flng, Lock, ZN
		RS553103	HLNSF, 1/4-20, 18-8 SS † †
23	6	R1210464-0	Connector, Weatherproof/Liquid Tight Wire, Twist On
	2	R0014279	Wire Nut, Gray, Size 71B †
24	2	R0014824	Cord Grip, 1/2" NPT 90° BLK †

PARTS LIST-BOTTOM BAR ASSEMBLY BOM

ITEM	QTY.	PART #	DESCRIPTION
25	2	R0014492	Locknut, for ½" Cord Grip †
26	1	REF	Tag, Warning, Coil Cord †
27	1	R0704075	Coil Cord, 4 Wire, 24" Black †
		R0704035	Coil Cord, 4 Wire, 36" Black †
28	1	P1060065-0Z04	Bottom Bar Shell, Front, SS ††
		P1060067-0Z04	Bottom Bar Shell Weldment, Front, SS ††
29	1	RS702844	Bottom Bar Shell, Rear, SS ††
		RS7991879	Weldment, Bottom Bar Shell, DK Foam, Rear, SS ††
30	A/R	R5550027-0Z04	BSCS, 1/4-20 x 2.50, SS ††
31	A/R	RS021590	Nut, 1/4-20UNC, Acorn, 18-8 SS ††
32	A/R	RS021044	Reg Split Lock Washer, SS, ¼ ††
33	2	R0705107	Cap, Sheet Metal Edge, Pharma Roll Bottom Bar Shell ††

CF = Consult Factory
A/R = As Required

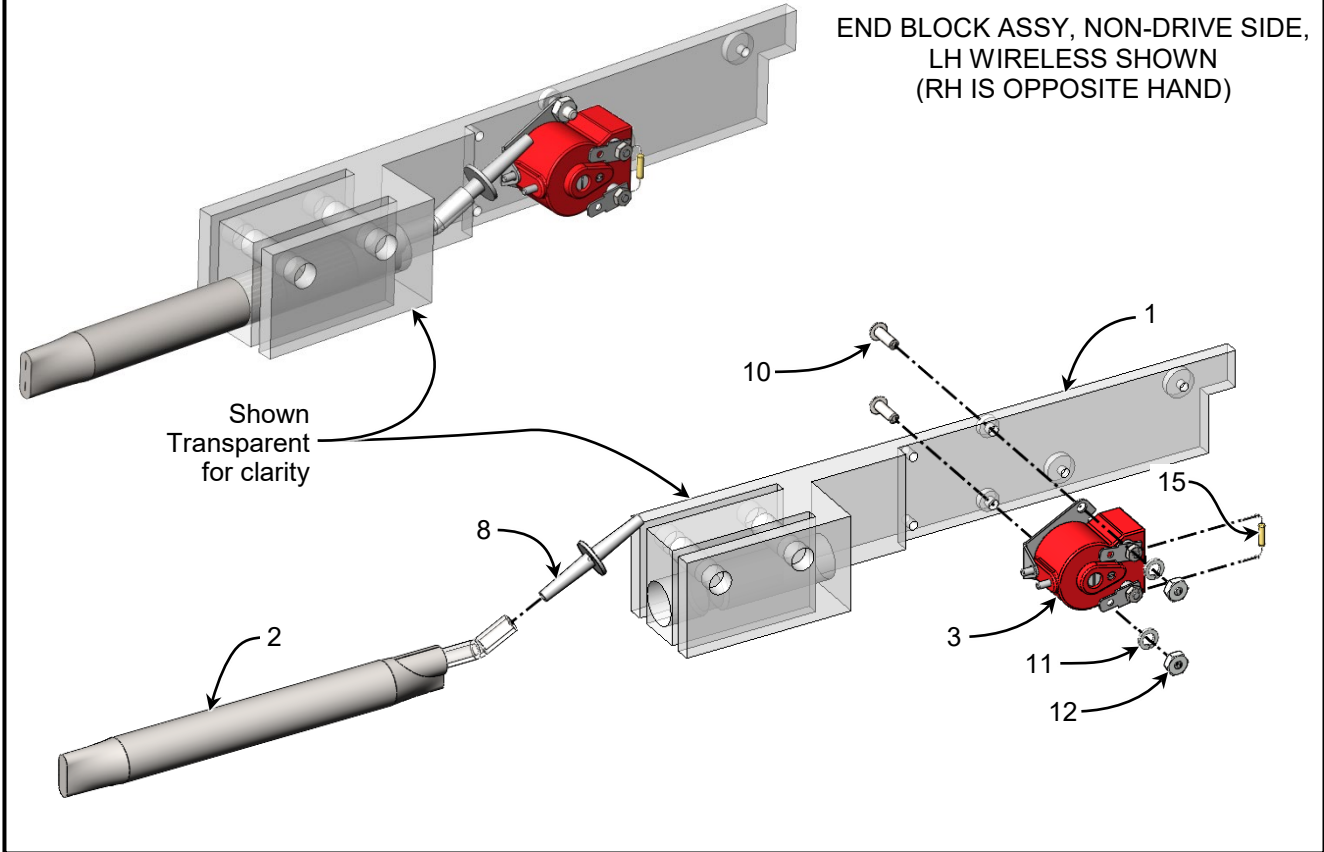
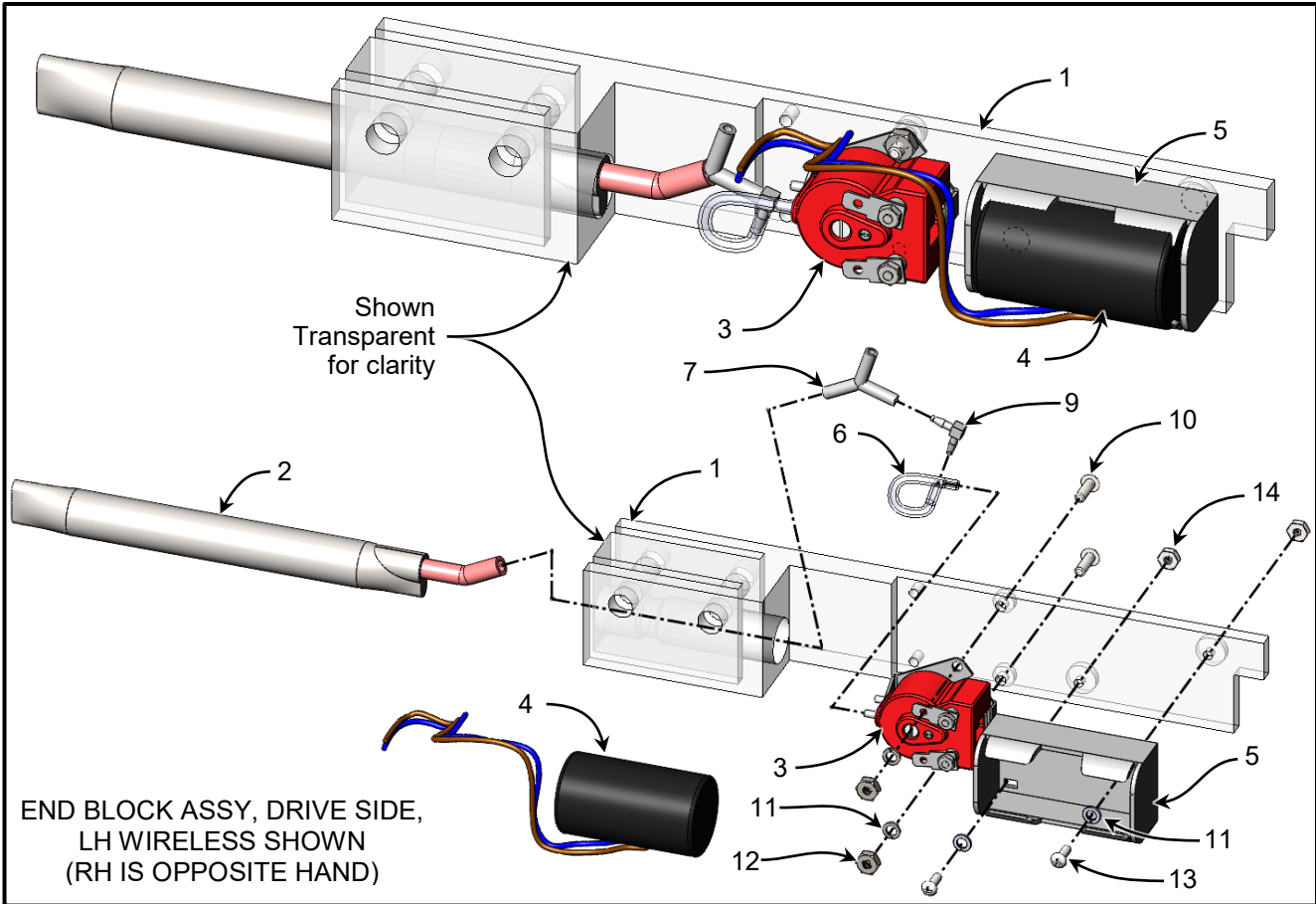
† Only used with Coil Cord
†† Only used on SS Bottom Bar

ALWAYS INCLUDE SERIAL NUMBER OF DOOR WHEN PLACING ORDER

Due to product enhancement, the actual parts on your door may be different from those shown in this manual.

PARTS LIST-END BLOCK ASSEMBLIES

END BLOCK ASSEMBLIES



END BLOCK ASSEMBLIES BOM

ITEM	QTY.	PART #	DESCRIPTION
-	1	CF	End Block Assy, Wireless
			End Block Assy, Coil Cord
1	1	R1060044-1Z00	End Block, LH, Wireless
		R1060044-2Z00	End Block, RH, Wireless
2	1	R0713000	Air Bladder, 6.88" Body
3	1	R0211397	Air Switch, Bircher #DW-40AMP †
4	1	R00111193	Battery Wireless "D" w/ Tabs (Wireless Only) †
5	1	R00111192	Battery Holder "D" Cell (Wireless Only) †
6	1	R0007321	Tube, PVC, 2mm ID x 4mm OD x 3.0" Lng †
7	1	R0804336	Connector, 3/16" Tube, "Y" †
8	1	R0804336	Connector, 3/16" Tube, "Straight" ††
9	1	R0204552	Elbow, Barbed, 3/16" Tube, 90° †
10	2	R0021029	PPMS, #8-32 x 1/2", Steel, ZN
11	2	R0554179	Washer, #8 Split Lock, Steel, ZN
12	2	R0553180	Hex Nut, #8-32, Steel, ZN
13	2	R5550045-0Z01	PPMS, #6-32UNC x 3/8", ZN †
14	2	R0021807	Nut, #6-32UNC, ZN †
15	1	R00141122	Resistor 8.2K, 1% 0.5W ††

CF = Consult Factory

A/R = As Required

† Only used on Motor/Drive Side

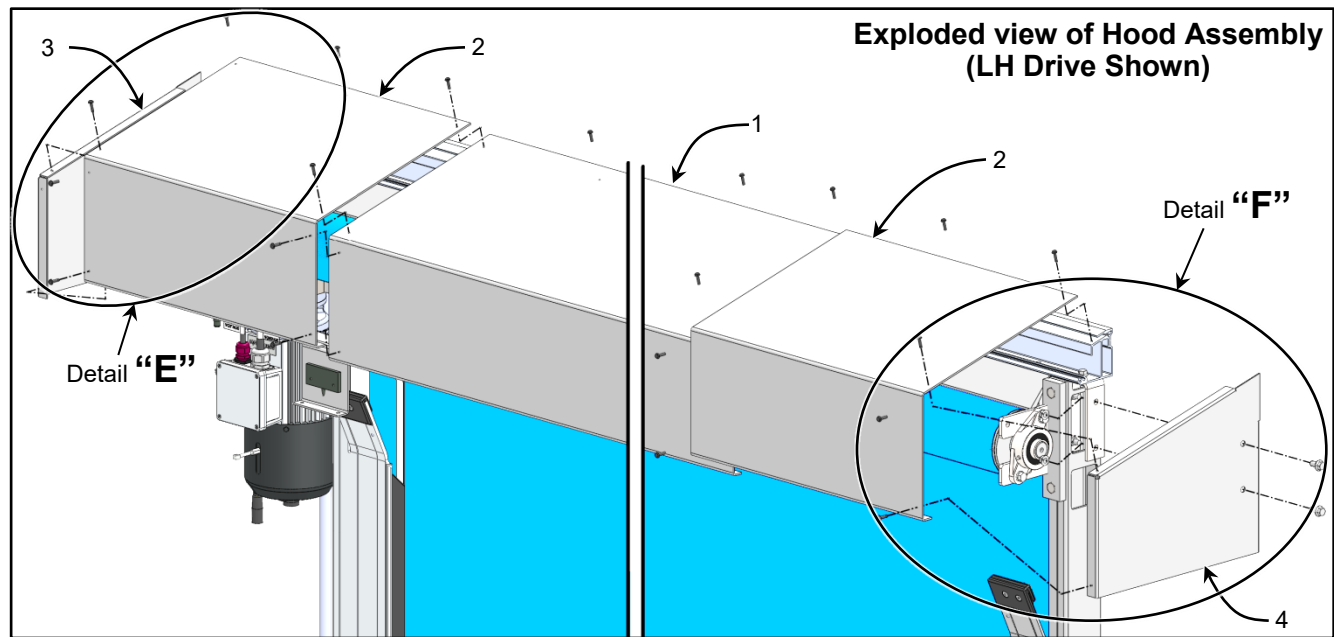
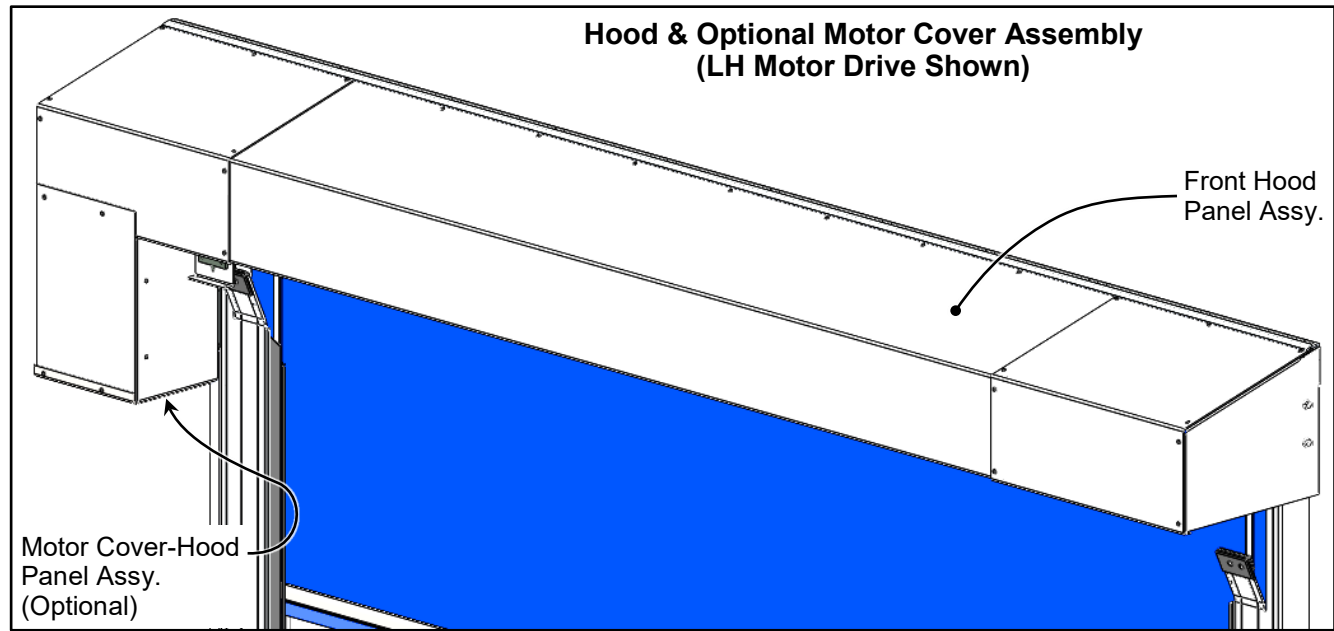
†† Only used on Non-Drive Side

ALWAYS INCLUDE SERIAL NUMBER OF DOOR WHEN PLACING ORDER

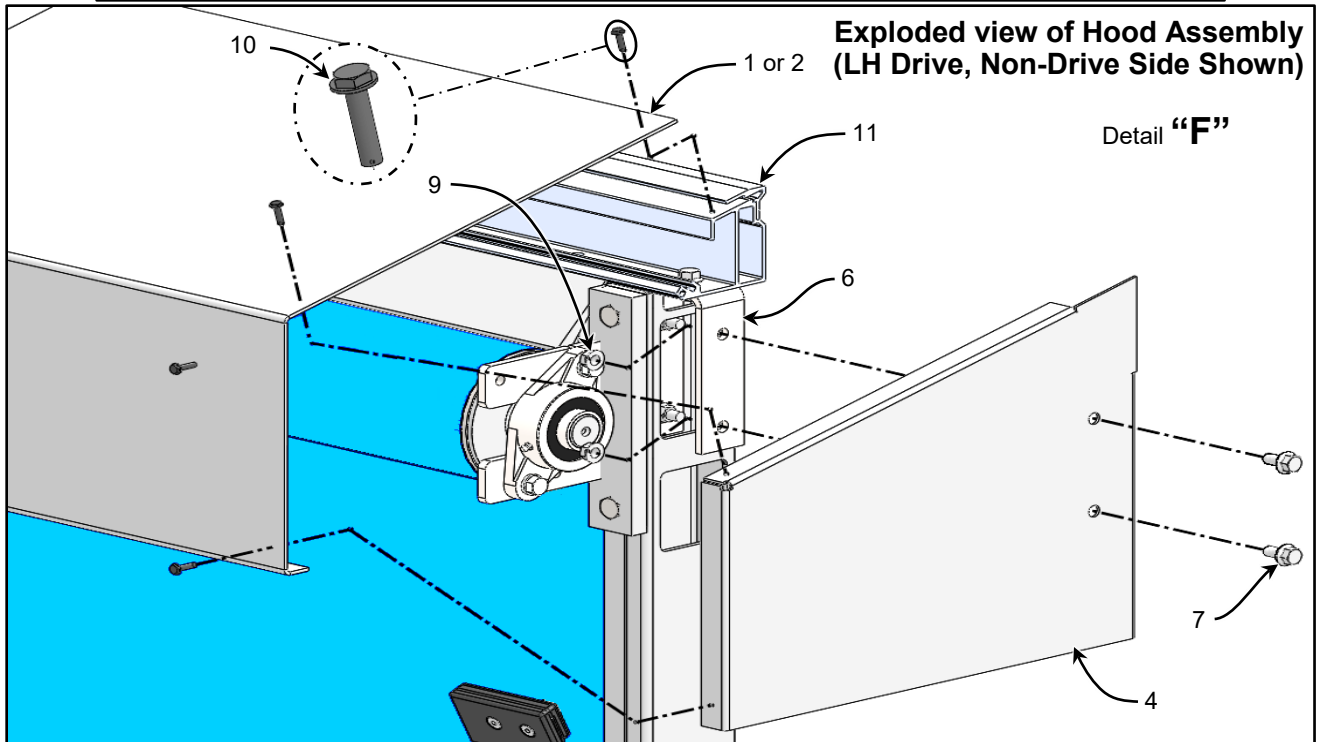
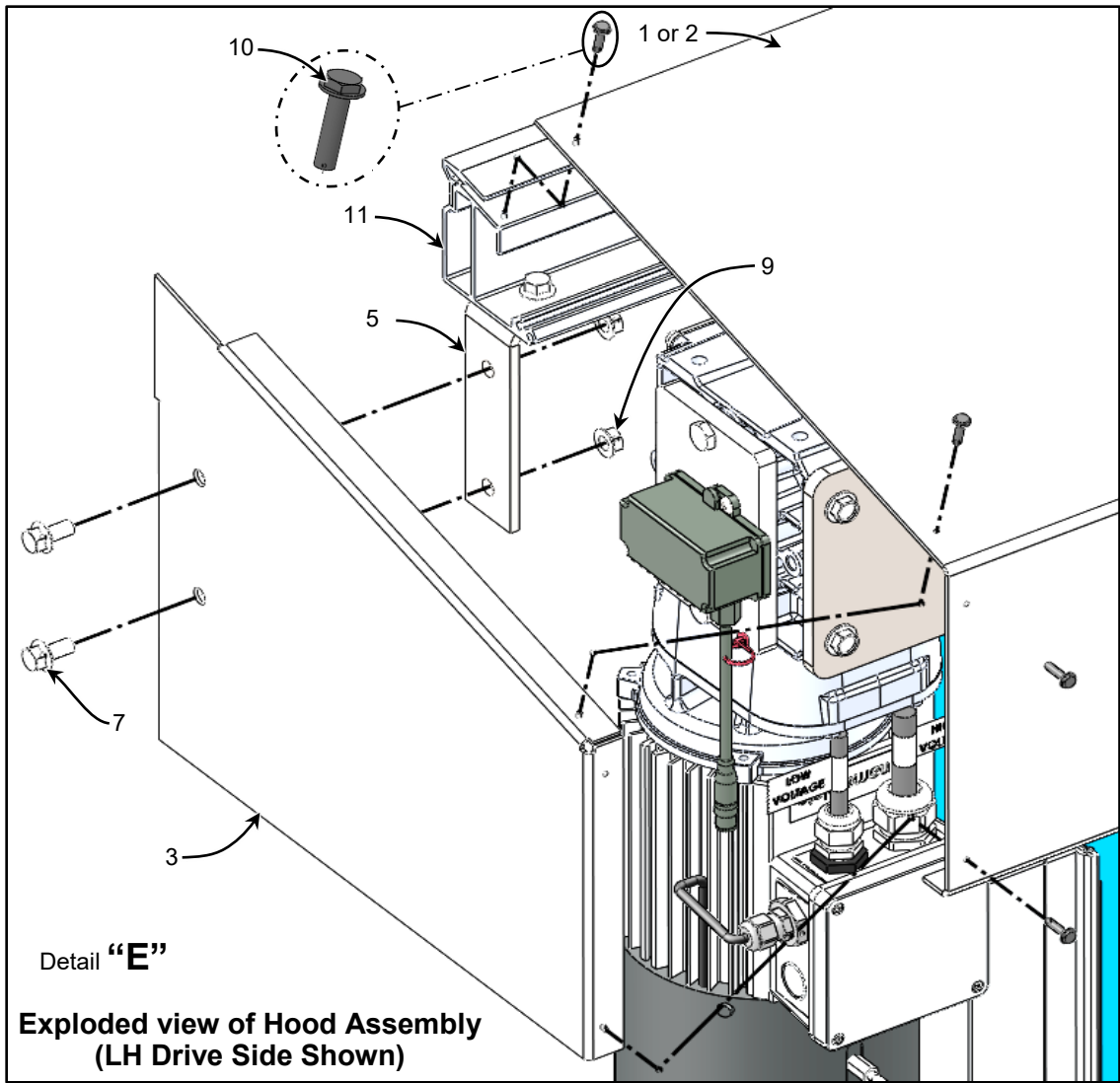
Due to product enhancement, the actual parts on your door may be different from those shown in this manual.

PARTS LIST-HOOD COVER ASSEMBLY-ALUMINUM/STAINLESS STEEL

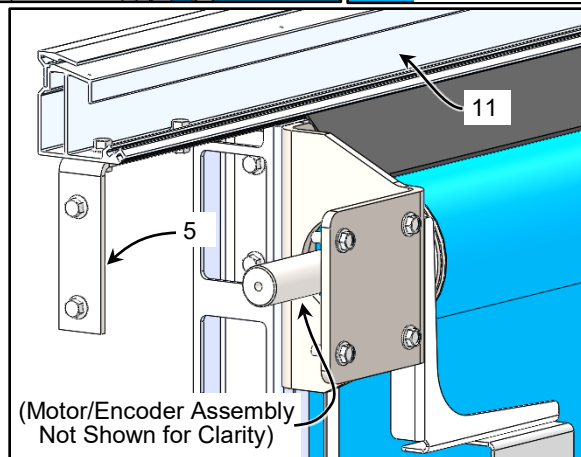
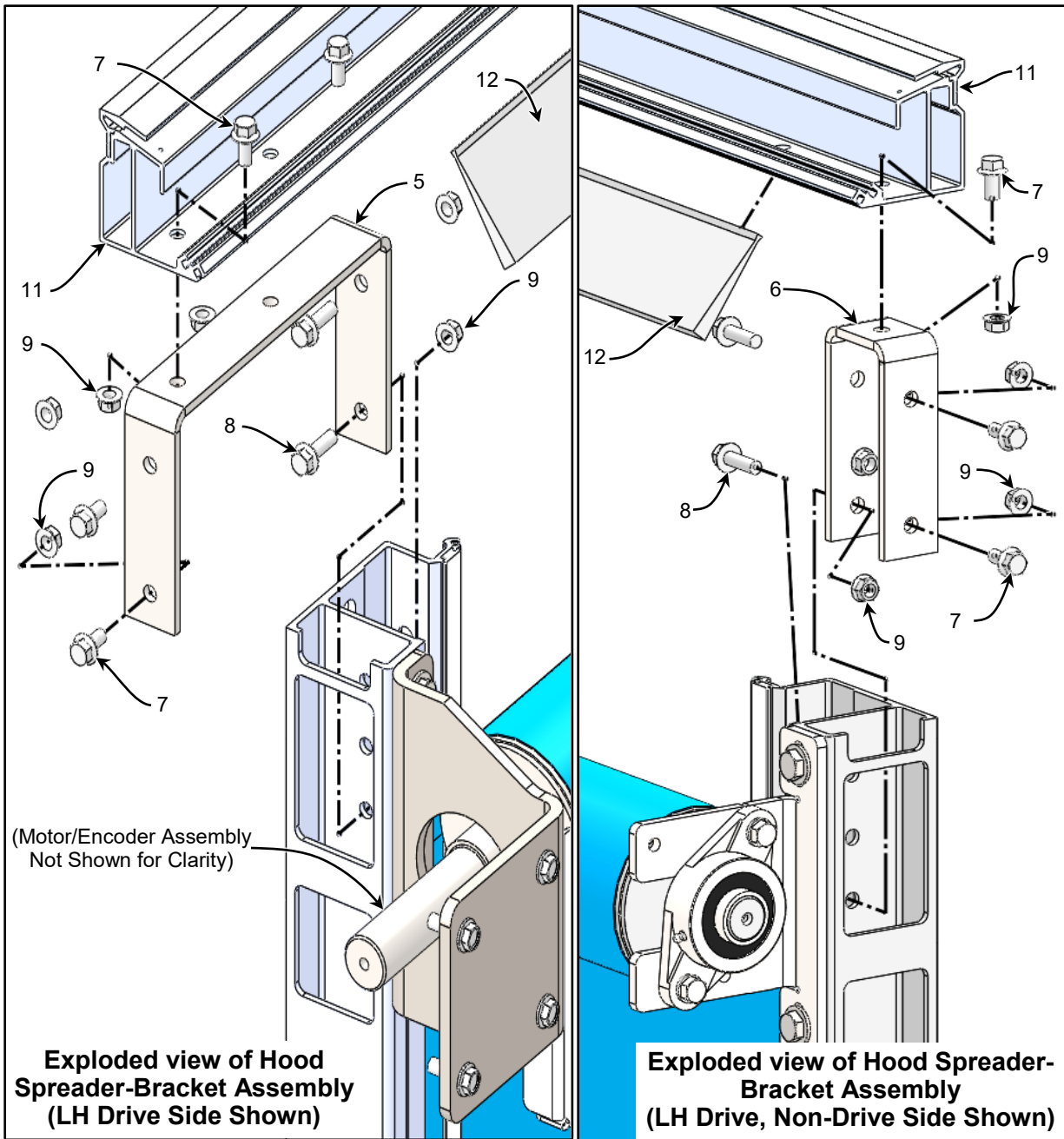
HOOD COVER ASSEMBLY-ALUMINUM/STAINLESS STEEL



PARTS LIST-HOOD COVER ASSEMBLY-ALUMINUM/STAINLESS STEEL



PARTS LIST-HOOD COVER ASSEMBLY-ALUMINUM/STAINLESS STEEL



PARTS LIST-HOOD COVER ASSEMBLY-ALUMINUM/STAINLESS STEEL BOM

HOOD COVER ASSEMBLY-ALUMINUM/STAINLESS STEEL BOM

ITEM	QTY.	PART #	DESCRIPTION
-	1	CF	Assembly, Hood, Alum/Stainless Steel
1	1	CF	Hood, Center Section
2	A/R	CF	Hood, End Section
3	1	CF	Cover, LH Hood
4	1	CF	Cover, RH Hood
5	1	R0703997	Bracket, Hood Support, Drive Side
6	1	R0703024	Bracket, Hood Support, Non-Drive Side
7	4	R0550254	HFSMS, 3/8-16 x 3/4", Gr5.2 ZN
8	7	R0550261	HFSMS, 3/8-16 x 1-1/4", Gr5.2 ZN
9	11	R0553229	HLNSF, 3/8-16, STL ZN
10	A/R	R0551050	HWSDS, #12-14 x 3/4", STL ZN, Self Taping Screw
		RS550158	HWSDS, #1/4-14 x 3/4", 410 SS, Self Taping Screw
11	1	CF	Assy, Header Hood
12	REF	CF	Brush Seal (Included in Header Assy Item #11)

CF = Consult Factory

A/R = As Required

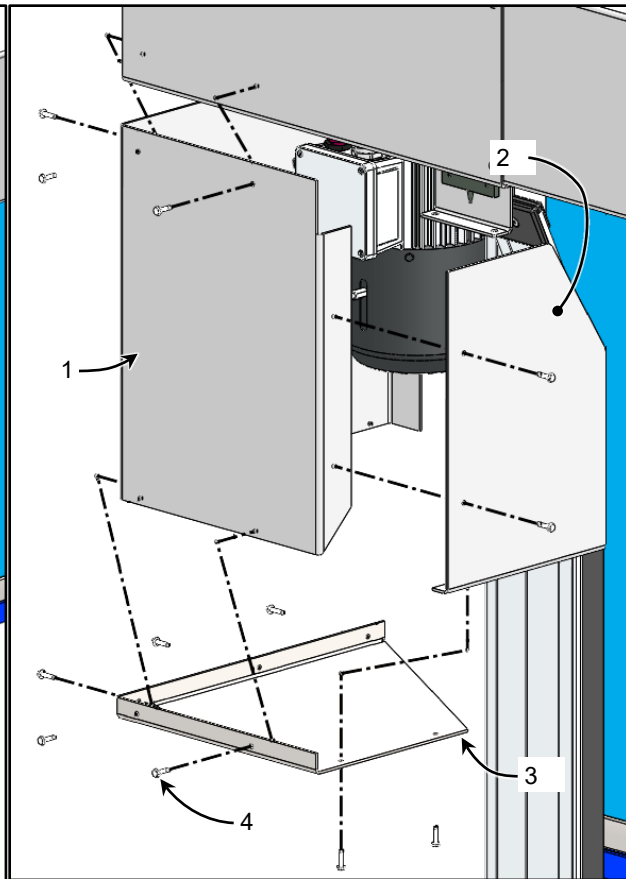
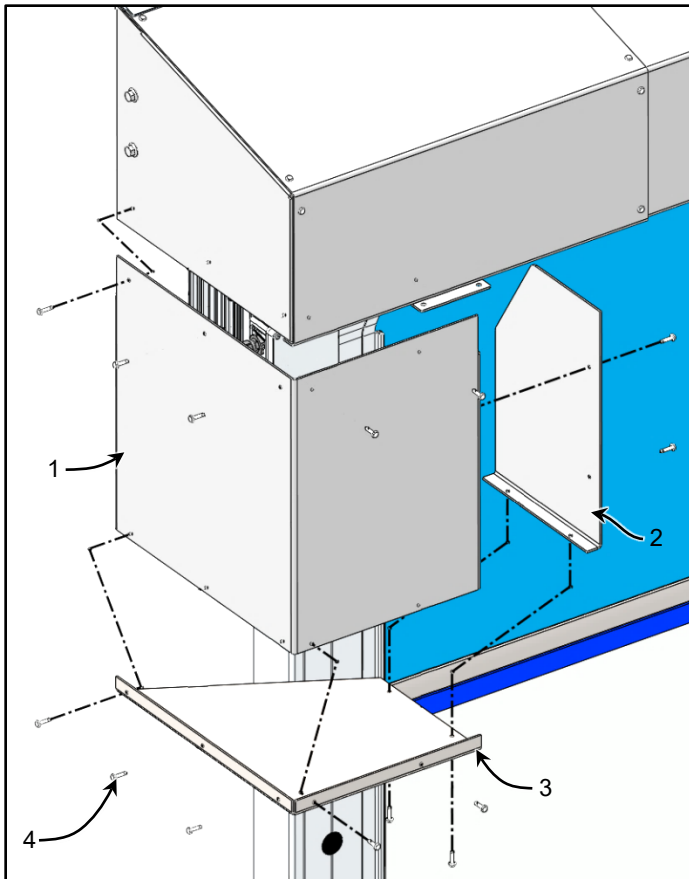
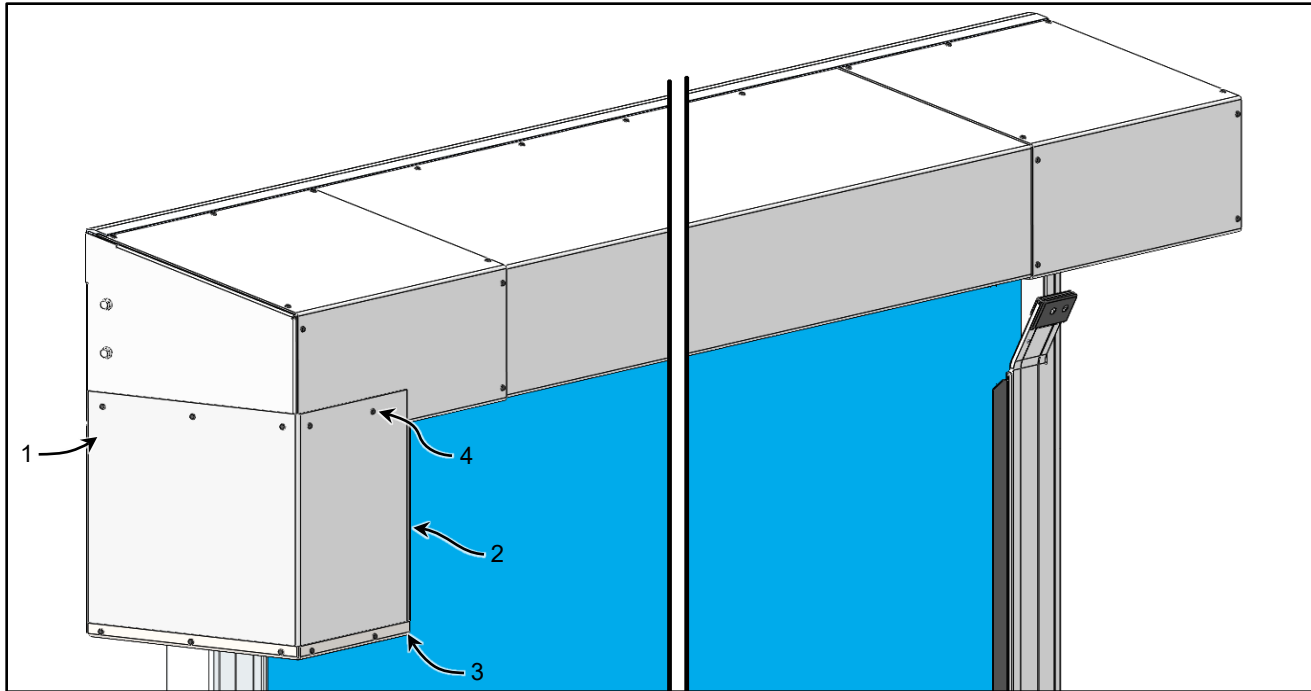
Items are produced based on manufactured height and width of door.

ALWAYS INCLUDE SERIAL NUMBER OF DOOR WHEN PLACING ORDER

Due to product enhancement, the actual parts on your door may be different from those shown in this manual.

PARTS LIST-MOTOR COVER-ALUMINUM/STAINLESS STEEL ASSEMBLY

MOTOR COVER-ALUMINUM/STAINLESS STEEL ASSEMBLY



PARTS LIST-MOTOR COVER-ALUMINUM/STAINLESS STEEL ASSEMBLY BOM

MOTOR COVER-ALUMINUM/STAINLESS STEEL ASSEMBLY BOM

ITEM	QTY.	PART #	DESCRIPTION
-	1	CF	Assembly, Motor Hood
1	1	CF	Motor Cover, LH/RH
2	1	CF	Motor Cover, Side, LH/RH
3	1	CF	Motor Cover, Bottom, LH/RH
4	A/R	R0551050	HWSDS, #12-14 x 3/4", STL ZN, Self Taping Screw
		RS550158	HWSDS, #1/4-14 x 3/4", 410 SS, Self Taping Screw

CF = Consult Factory

A/R = As Required

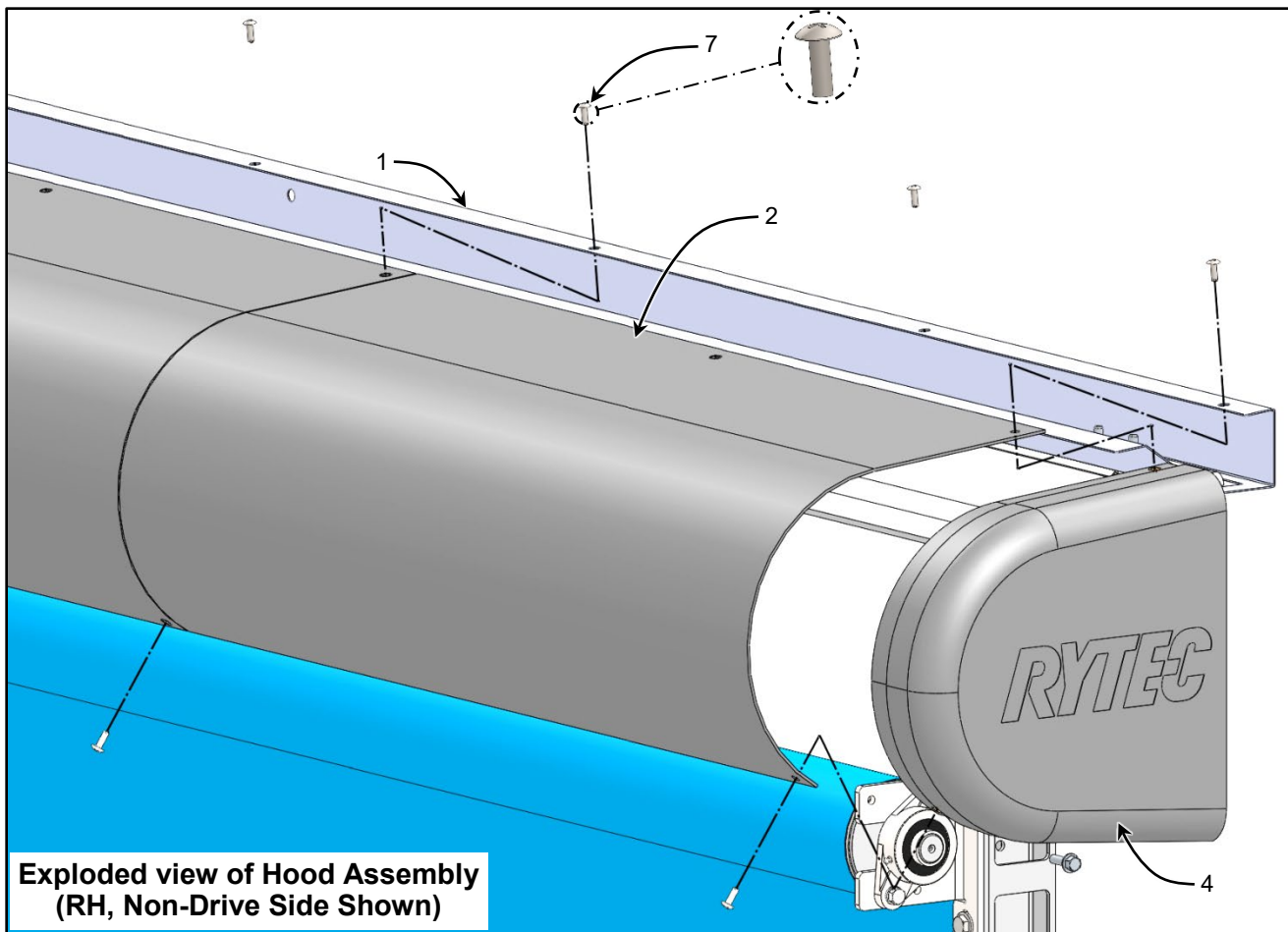
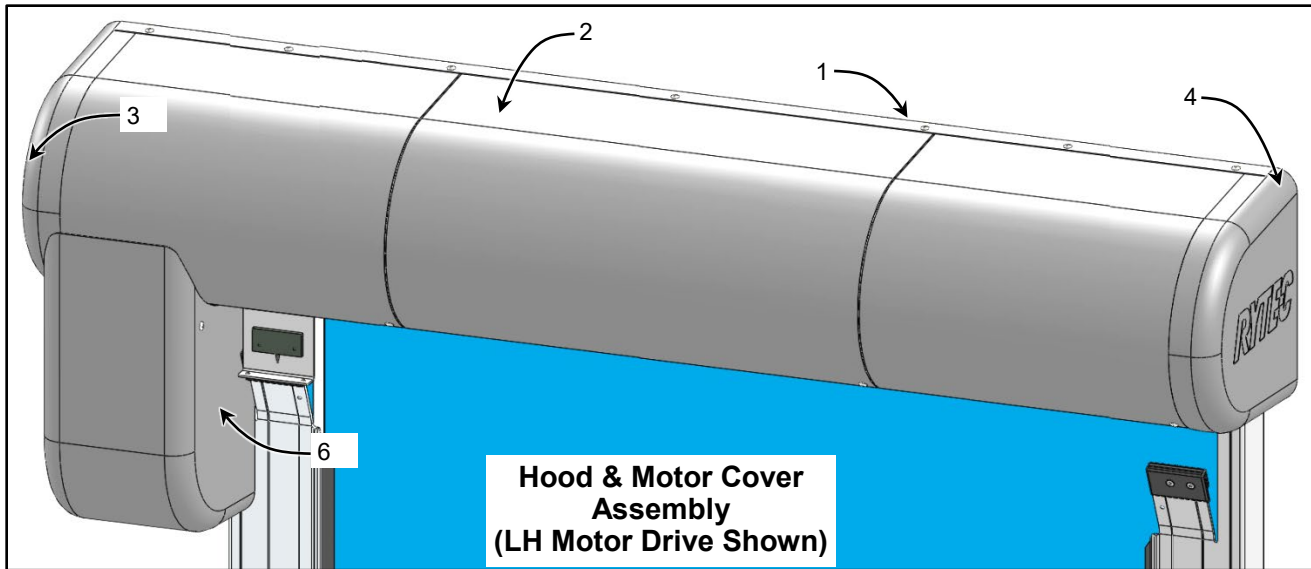
Items are produced based on manufactured height and width of door.

ALWAYS INCLUDE SERIAL NUMBER OF DOOR WHEN PLACING ORDER

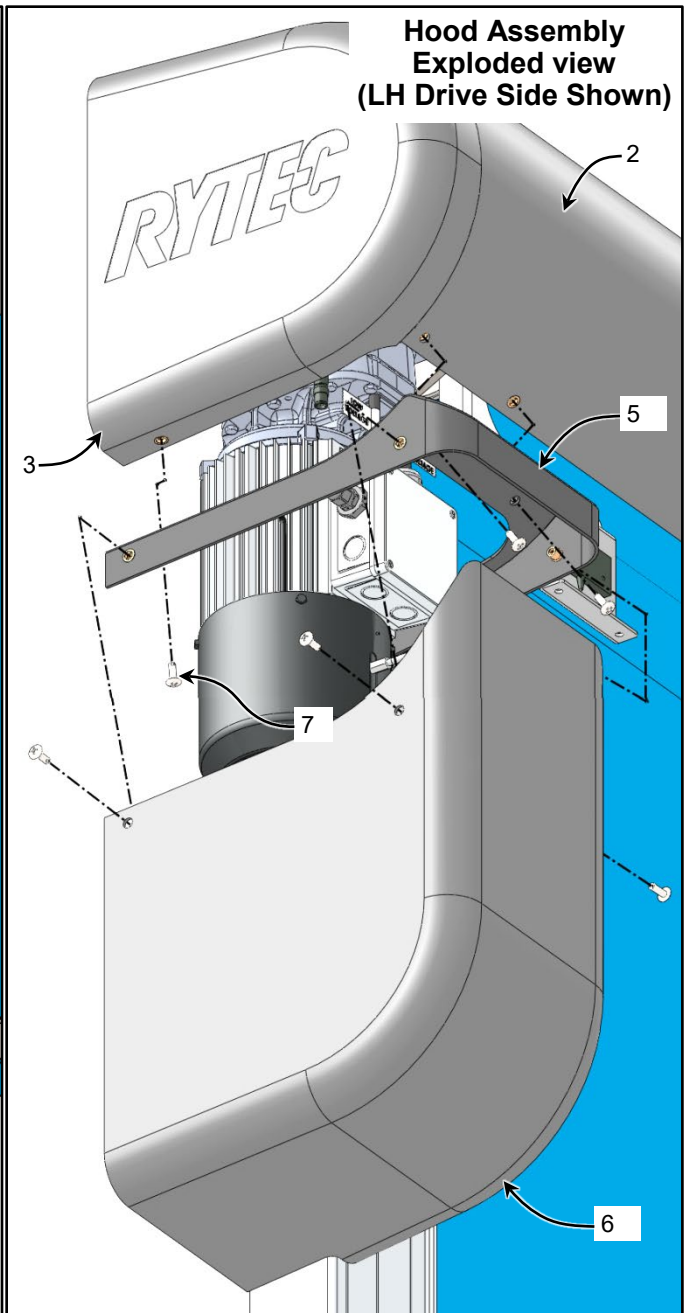
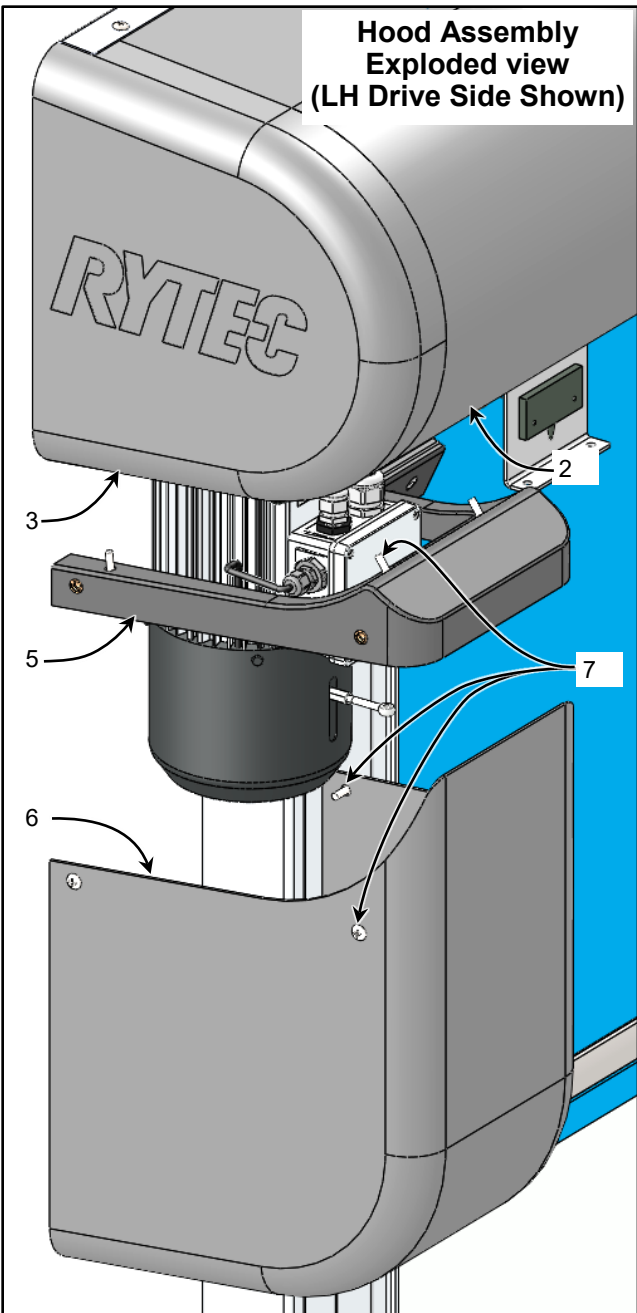
Due to product enhancement, the actual parts on your door may be different from those shown in this manual.

PARTS LIST-HOOD & MOTOR COVER-PLEX STYLE ASSEMBLY

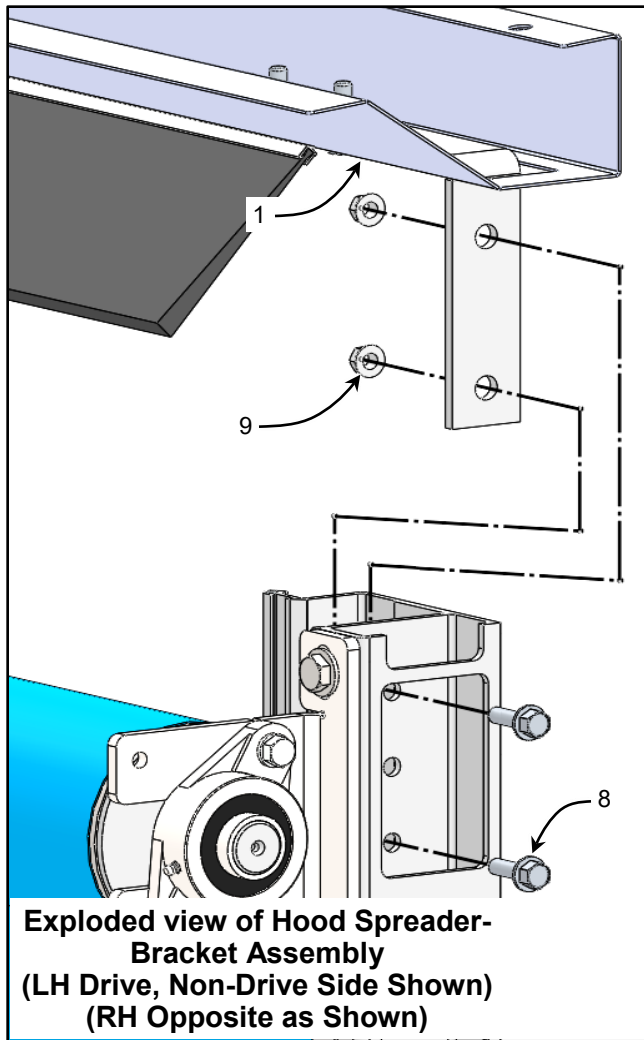
HOOD & MOTOR COVER-PLEX STYLE ASSEMBLY



PARTS LIST-HOOD & MOTOR COVER-PLEX STYLE ASSEMBLY



PARTS LIST-HOOD & MOTOR COVER-PLEX STYLE ASSEMBLY BOM



HOOD & MOTOR COVER-PLEX STYLE ASSEMBLY BOM

ITEM	QTY.	PART #	DESCRIPTION
-	1	CF	Assembly, Hood & Motor Cover, Plex Style
1	1	CF	Assembly, Hood Support, Plex Style
2	1	CF	Center Hood, Plex Style
3	1	R1160076-1	Assembly, Hood Cap, LH
4	1	R1160076-2	Assembly, Hood Cap, RH
5	1	R1060252-X	Assembly, Motor Cover Bracket, Plexline Style
6	1	R1060253-X	Motor Cover, Machined, Plexline Style
7	A/R	R021797	BSCS, 1/4-20 x 3/4" Lg, SS Truss
8	4 (REF)	CF	HFSMS, 3/8-16 x 1-1/4" (Contained in #1)
9	4 (REF)	CF	HLNSF, 3/8-16 (Contained in #1)

CF = Consult Factory

A/R = As Required

Items are produced based on manufactured height and width of door.

ALWAYS INCLUDE SERIAL NUMBER OF DOOR WHEN PLACING ORDER

Due to product enhancement, the actual parts on your door may be different from those shown in this manual.

