

Owner's Manual

FlexTec™ and FlexTec XL™ Doors


	⚠ WARNING
	<p>Read and understand all operation, warning and safety instructions in this manual before operating or servicing the door.</p> <p>When instructed to do so, follow lockout/tagout procedure before servicing the door.</p>

Table of Contents	3	Head Assembly Brackets and Covers, Non-Drive Side	24
Introduction	4	Head Assembly Brackets and Covers, Drive Side	25
How to find the serial number	4	Door Panel and Rear Seal	26
Rytec naming conventions	5	Motor and Encoder	27
Safety	6	Counterweight	28
Safety information and the meaning of signal words	6	Side Column Framework	29
Operational and maintenance safety.	6	Side Column Drive Track	30
Safety features	7	Side Column Safety Features.	31
Operation	8	Head Assembly and Hood Components	32
The self repair system	8	System 4 Controller	33
How to hold the door open	9	Accessories	34
How to open and close the door manually	9	Warranty	35
Maintenance.	10	FLEXTEC LIMITED WARRANTY	35
How to clean the door	10		
Periodic replacements	10		
How to replace a window	10		
Daily maintenance	11		
Quarterly Maintenance.	12		
Parts.	20		
How to order parts	20		
How to return unwanted parts	21		
Warranty return	21		
Physical return	21		
Why you may be sent substitute parts	21		
Rytec Technical Knowledge Center.	21		
Drive Components, Non-Drive Side	22		
Drive Components, Drive Side	23		

The information contained in this manual will allow you to operate and maintain your Rytec® FlexTec™ door in a manner which will ensure maximum life and trouble-free operation.

Any unauthorized changes to these procedures, or failure to follow the steps as outlined, will automatically void the warranty. Any changes to the working parts, assemblies, or specifications as written, which are not authorized by Rytec Corporation, will also cancel the warranty. The responsibility for the successful operation and performance of this door lies with the owner.

DO NOT OPERATE OR PERFORM MAINTENANCE ON THIS DOOR UNTIL YOU READ AND UNDERSTAND THE INSTRUCTIONS CONTAINED IN THIS MANUAL.

If you have any questions contact your Rytec representative or **call the Rytec Technical Support Department at 800-628-1909**. Always refer to the serial number of the door when calling the representative or Technical Support.

A wiring schematic is provided with each individual door specifically covering the control panel and electrical components of that door. The schematic for a specific door is shipped inside the cover of the System 4® controller.

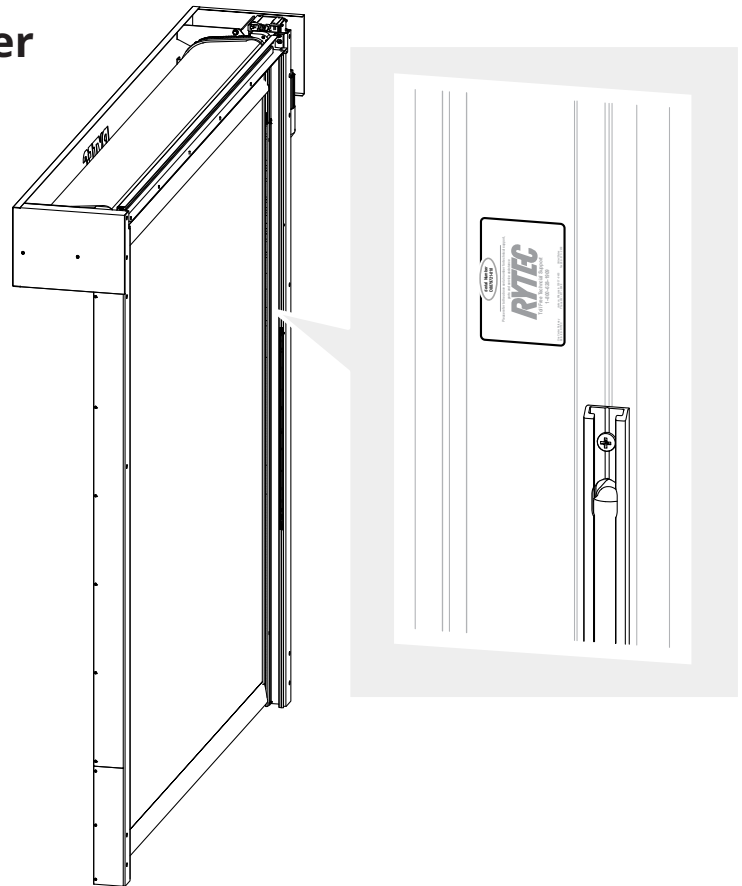
How to find the serial number

!IMPORTANT!

You will need to know the serial number of your door any time you call Rytec Technical Support.

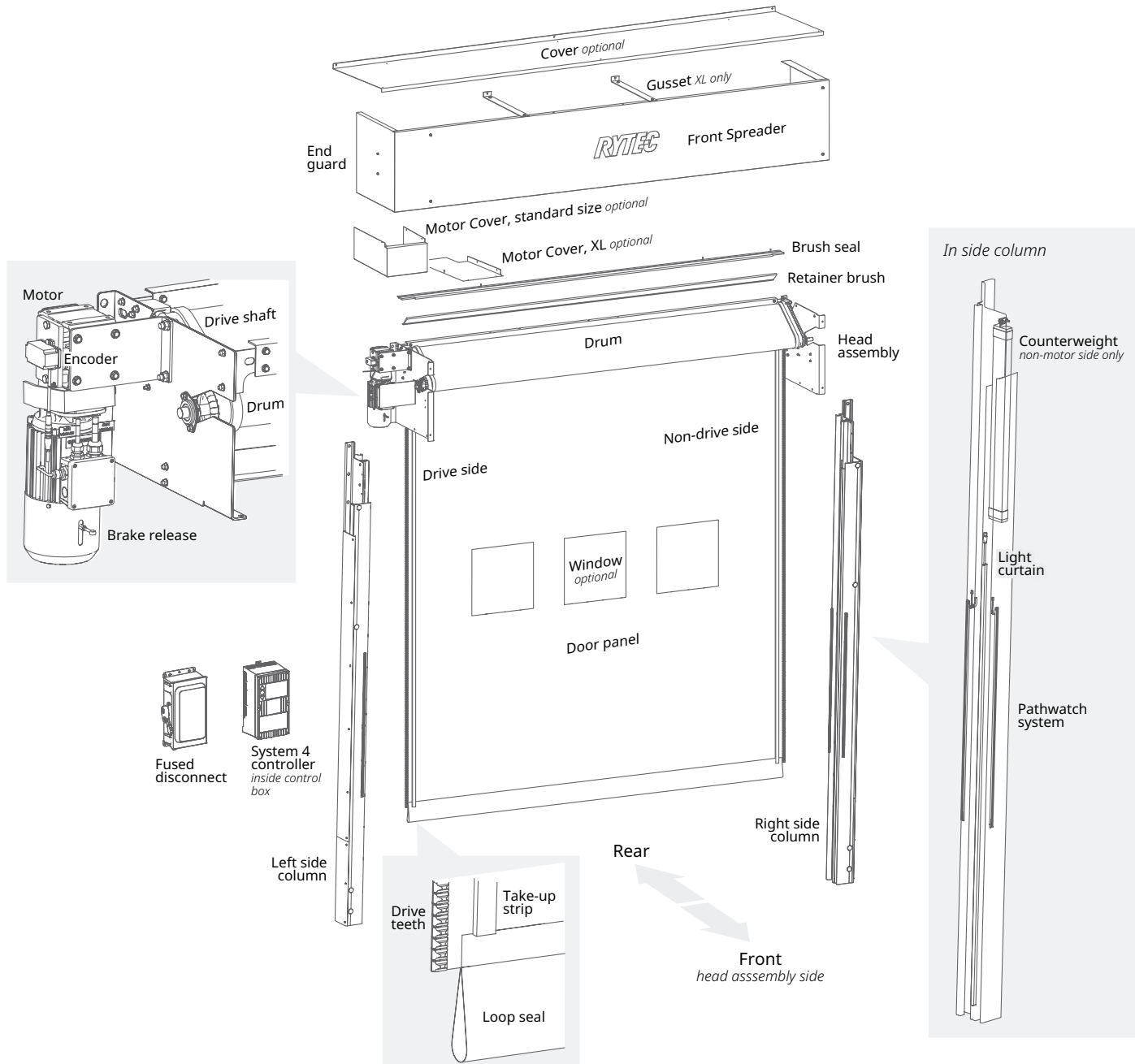
There are labels displaying the serial number in several locations on the door.

The easiest label to locate is at roughly eye level on the motor side column of the door, between the door panel and the rear Pathwatch.



Rytec naming conventions

The illustration below shows the terms used by Rytec technical support to refer to the major components of your door. Using these terms helps technical support to provide assistance as quickly as possible.



Safety information and the meaning of signal words

Summary



Technical content produced by Rytec includes safety information which must be read, understood and obeyed to reduce the risk of death, personal injury, or equipment damage. This information is boxed to set it apart from other text. The boxed text identifies the nature of the hazard and appropriate steps to avoid it.

The safety alert symbol identifies a situation that can result in personal injury. The accompanying signal word indicates the likelihood and potential severity of the injury. The meaning of the signal words are as follows:

	⚠ WARNING
	Warning indicates a hazardous situation which, if not avoided, could result in death or serious injury.
	⚠ CAUTION
	Caution indicates a hazardous situation which, if not avoided, could result in minor or moderate injury.
NOTICE	
Notice is used to address practices not related to physical injury but which, if not followed, can result in damage to the door or other property.	

Operational and maintenance safety

- Operational precautions** Observe these precautions while using the door.
- Make sure that all individuals who use the door have been informed about the correct use of the door and all activating devices, and that they understand all safety devices for the door.
 - Make sure that only individuals who are trained, qualified and authorized can access the control system, system software and control parameters.
 - Do not run through the door opening or attempt to cross the threshold before you are able to do so while walking fully upright.
 - Do not drive a vehicle through the door until the door is completely open and has stopped moving.
 - Do not climb on or hang on the door.
 - Do not touch any part of the door or door frame while the door is opening or closing.
 - Only operate the door at the approved supply voltage.
 - If the door is to be kept open for a sustained period of time, use the control system to set the door to the open position, then set the power disconnect to the OFF position and perform a lockout/tagout. Make sure all personnel are informed that the door is not operational during this time.
 - Safety devices must not be modified or put out of services. Do not use the door if there is any indication that a safety device is not operating correctly.

- Maintenance precautions** Observe these precautions while performing maintenance on the door.
- Maintenance of the door and the control system is to be done by trained, qualified and authorized individuals only.
 - Make sure all routine maintenance is performed as scheduled in the instructions for the door.
 - Make sure the power disconnect is set to the OFF position and a correct lockout/tagout procedure has been performed before servicing any component of the door that is powered by the control system.
 - The control system includes components that remain charged after the power has been disconnected. Do not open the control box until at least 5 (five) minutes have elapsed after power is disconnected.
 - Do not pass through or stand in the door panel pathway while the door is being serviced.
 - Make sure you have and use all required Personal Protective Equipment.
 - Make sure that you are aware of the location of all power lines, piping and HVAC systems within the work site.
 - Make sure all components and hardware used to service the door are approved by the manufacturer.

Safety features

The standard FlexTec installation includes two safety devices, which are located in the side panels of the door.

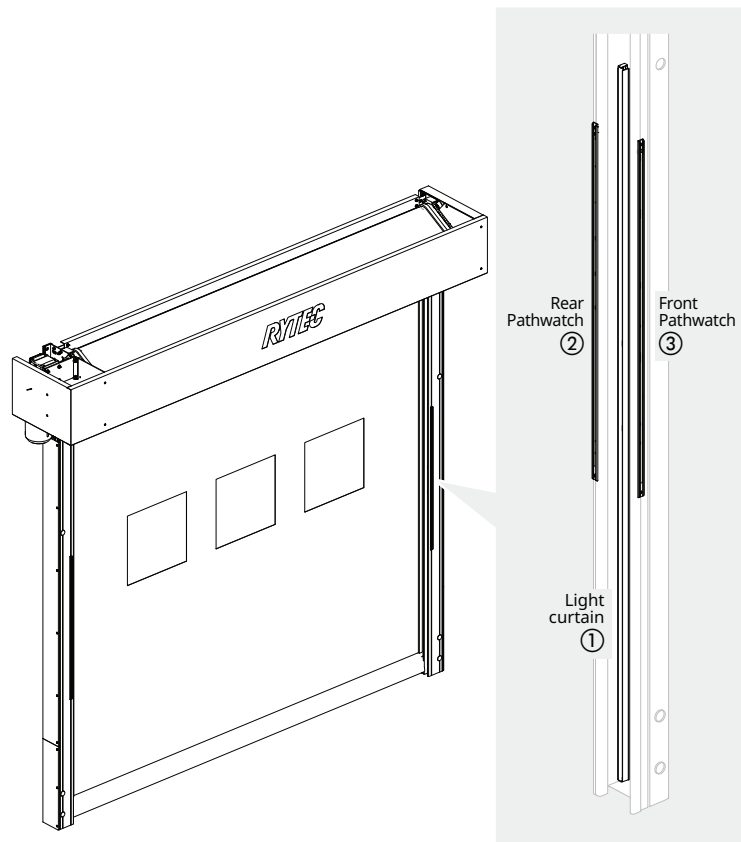
The **light curtain** ① prevents the door from closing when an obstruction is detected in the door opening, and holds the door open until the obstruction is removed. The light curtain extends from the floor to a height of five to seven feet, depending on the configuration of the door.

The **Pathwatch LED strips** ②③ alert you when the door is active. The strips flash in the following ways:

- **While the door opens or closes:**
continuous red
- **Before the door closes:**
a three-second sequence of red-yellow-combined.

One Pathwatch strip faces the front of the door, and the other faces inside the door opening.

Your installation may also include other optional safety devices.



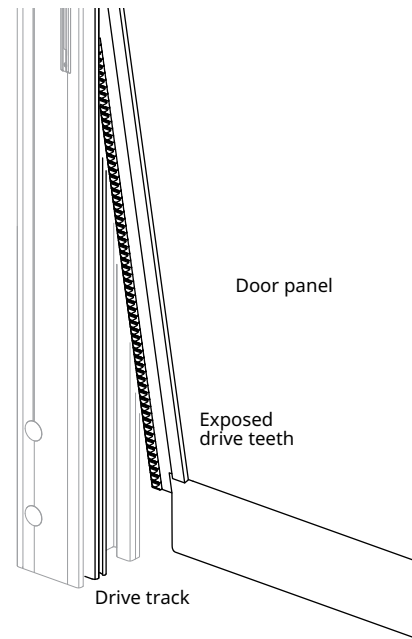
The self repair system

The FlexTec door panel is designed to automatically repair itself if it is accidentally knocked out of the drive track.

If the door is struck while it is opening and the drive teeth on one or both sides of the door panel are exposed, the drive teeth will reinsert themselves into the track as the door opens.

If the door is struck while it is closing, the door will stop, then automatically raise to the fully open position. The drive teeth will reinsert themselves as the door opens.

In either case, the door panel will be fully realigned with the drive track when the door closes.

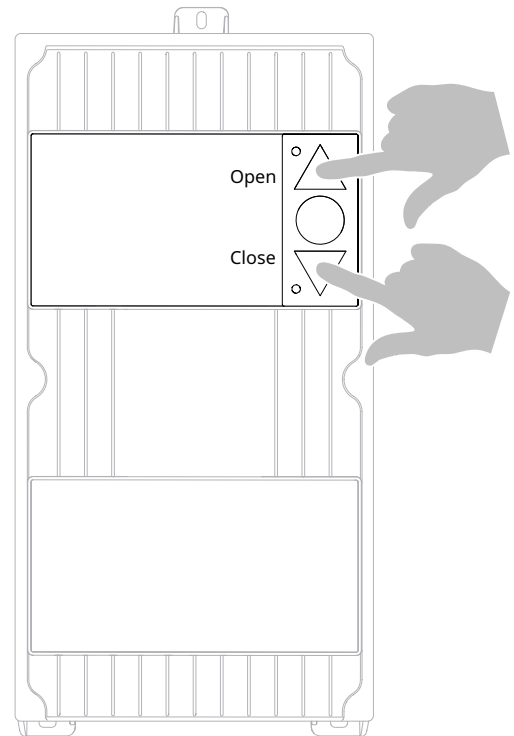


How to open and close the door using the System 4 controller

The System 4 controller should be installed within sight of the FlexTec door.

- **Press the UP arrow** to manually open the door.
- **Press the DOWN arrow** to manually close the door. Under normal operating conditions, the door should always close automatically.

Under normal operating conditions, it should not be necessary to use the System 4 controller. Rytec offers a wide range of automatic and manual activators designed to fit the specific requirements of the installation. Call Rytec Technical support at **800-628-1909** if you have questions about the activators for your door.

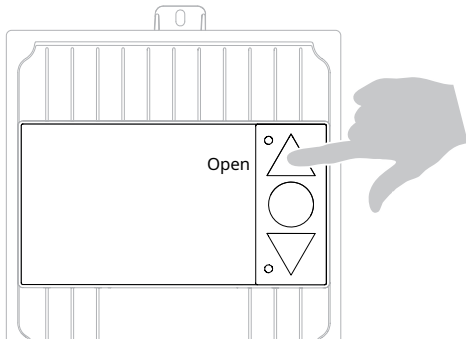


How to hold the door open

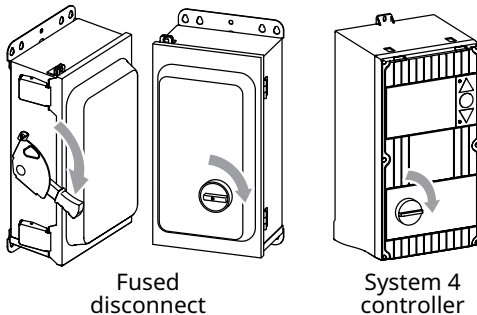
NOTICE

Do not use an activator, such as a light curtain or motion detector, to hold the door open.

1 Press the **UP arrow** to open the door.



2 Turn the **disconnect switch** to the OFF position. The switch may be located on the System 4 controller or on an external disconnect.



3 Perform a **lockout/tagout**.



⚠ CAUTION

Make sure all users of the door are informed when the door is out of service, and when it is put back into service.

How to open and close the door manually

1 **NOTE:** if motor is covered, use a 5/16" socket to remove the four self-drilling screws that hold the cover in place.

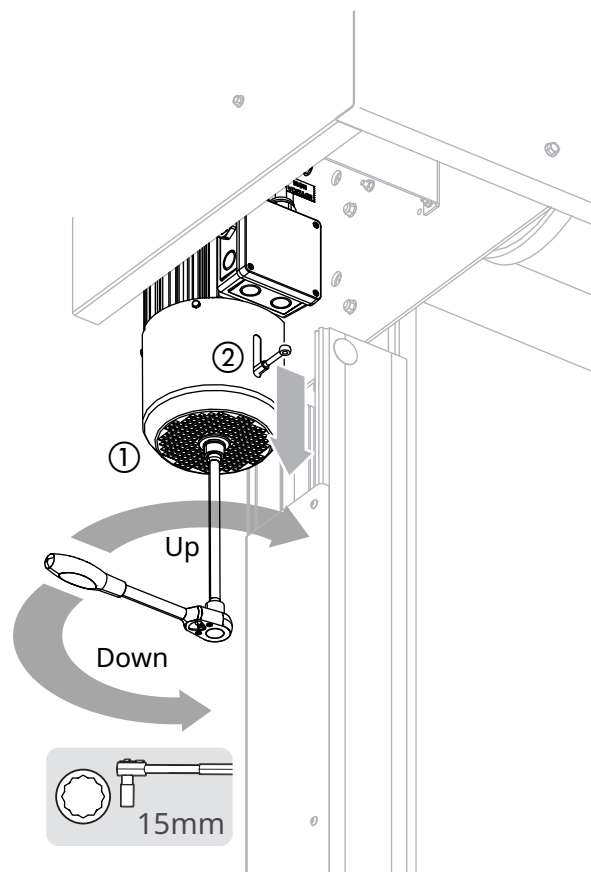
Insert a 12-point 15mm socket into the bottom of the motor ① and engage the manual axle.

Press down on the brake release lever ② to release the brake.

Turn the wrench to move the door panel:

- **Clockwise** to raise the door panel
- **Counterclockwise** to lower the door panel

Release the brake release lever when the door panel is at the desired height.



How to clean the door

NOTICE

!IMPORTANT! Do not use bleach, industrial grade cleaners, abrasive cleaners or petroleum-based solvents on Rytec doors.

NOTICE

Rytec doors are self-lubricating. Do not lubricate the drive track or door panel. Grease and lubricating oil can attract dirt and grime, which may prevent the door from operating correctly.

Clean the Flextec door panel and side columns with a mix of household cleaner and water. Isopropyl alcohol can be used on hard-to-clean areas.

For Flextec doors with optional window panels, use any good brand of window cleaner and a clean, soft cloth to clean the panels.

NOTICE

Clean the light curtains with a damp cloth soaked in water only. Do not get cleaners of any kind on the light curtain lenses.

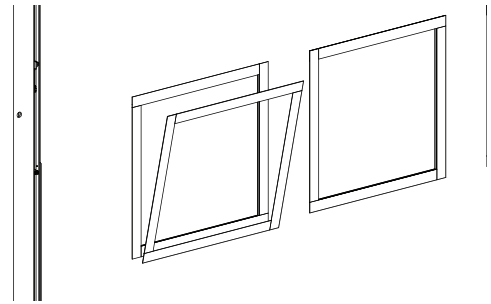
Periodic replacements

In most cases, parts should be replaced by qualified service professionals. There are, however, some parts that can be successfully replaced by the owner. These include:

- Door panel windows (these are an optional feature)

How to replace a window

- 1** The window is held in place by four Velcro strips. **Pull** the window away from the door panel.



- 2** Locate the door serial number and call the Rytec parts department at **800-628-1909**.

- 3** **Line up** the four Velcro strips on the door panel and the window. **Press evenly** across all four strips.

Daily maintenance

These steps should be followed every day.

NOTICE

IMPORTANT! Immediately turn off the door and perform a lockout/tagout if any of the daily checks reveals that the door is not operating properly.

- 1 **Activate** the door using each activating system. **Run** the door through at least three cycles for each system.
 - **Make sure** the door panel rises to the fully open position, remains in place for the standard time, and then closes to the fully closed position.
 - **Make sure** the loop seal is level when the door is fully closed.
 - **Repeat** for each activating device.

- 2 While the door cycles, **look and listen** for:
 - **Unusual noises** such as grinding, whining or excessive motor noise
 - **Changes in door speed** from one cycle to the next. **NOTE:** The door panel should accelerate, then decelerate, during a normal run up or down.
 - **Excess movement** by the motor, drive or drum.
 - **Unexpected delay** in activation or unusually long time period before automatically closing.

- 3 **Make sure** the Pathwatch operates correctly as the door opens and closes:
 - **Continuous red light** while the door opens or closes.
 - **Three-second sequence** of red-yellow-combined before the door closes.

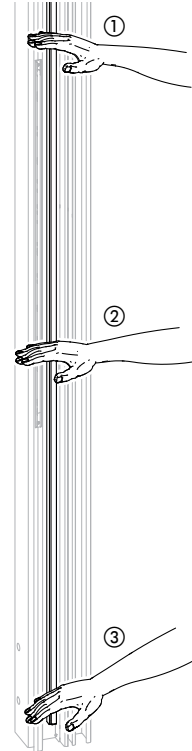
- 4 **Inspect** the side columns and head assembly for signs of damage or excessive wear.

- 5 **Inspect** the door panel, loop seal and take-up strips for holes, tears or signs of excessive wear.

- 6 **Test the light curtain** by placing your hand in the path of the door at the top ①, middle ② and bottom ③ of the light curtain while the door panel closes.

Make sure the door panel returns to the fully open position each time the light curtain is activated.

Make sure the door panel stops immediately when you place your hand at the top ① of the light curtain, and gradually when you place your hand in the middle ② or at the bottom ③.



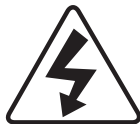
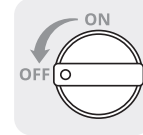
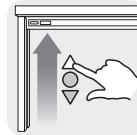
Quarterly Maintenance

NOTICE

IMPORTANT! Immediately turn off the door and perform a lockout/tagout if any of the quarterly checks reveals that the door is not operating properly.

1 Before you start, perform all of the daily maintenance tasks.

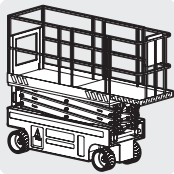
2 Open the door to the fully open position, disconnect power, and perform a lockout/tagout.



WARNING

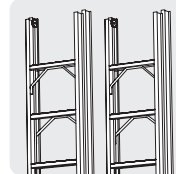
Do not begin until the power disconnect is in the OFF position and lockout/tagout is complete. Contact with high voltage motor wires can result in death or serious injury.

Requirements - Tools

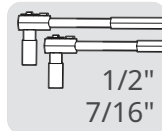
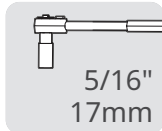
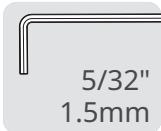


Scissor lift that meets the following specifications:

- Can hold all personnel
- Minimum height ability: door height
- Side shift capability

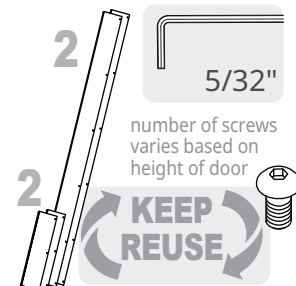
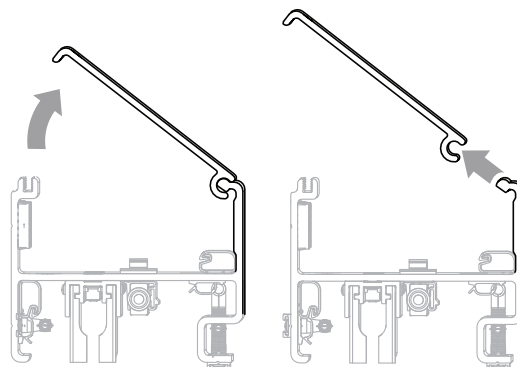
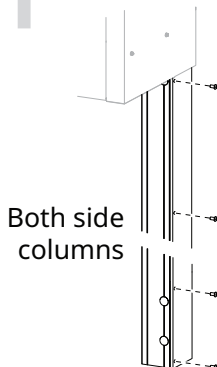


Alternatively, a ladder of sufficient height to safely access the door head assembly





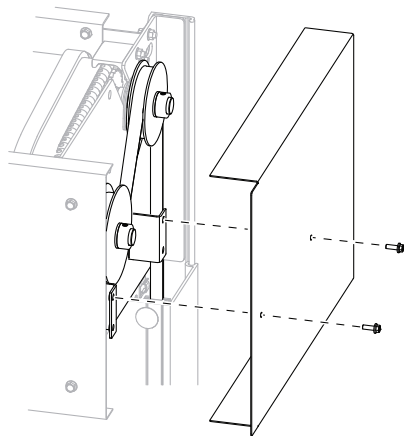
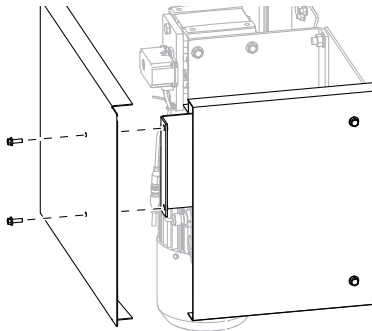
How to inspect and tighten the hardware

1 Remove top and bottom covers from both side panels.



2 Remove the end guards from the head assembly (LH motor configuration shown):

	 CAUTION
	<p>Make sure you read and follow all instructions for the safe use of all lifting devices and ladders.</p>



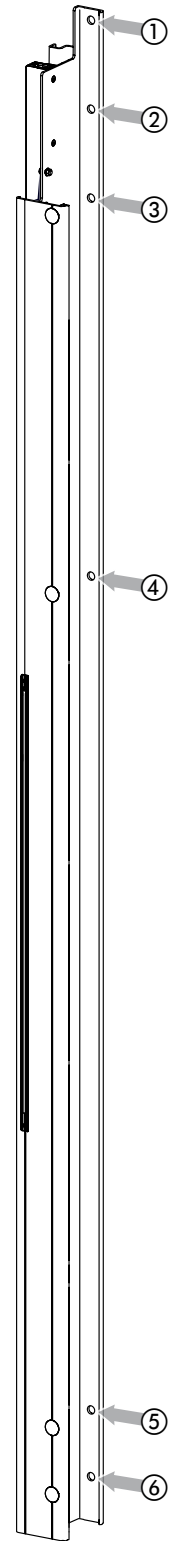
3 **Inspect** the wall anchors in both side columns. **Tighten** if necessary.

All six anchor points should be secured. Anchors ① and ② also secure the head assembly.

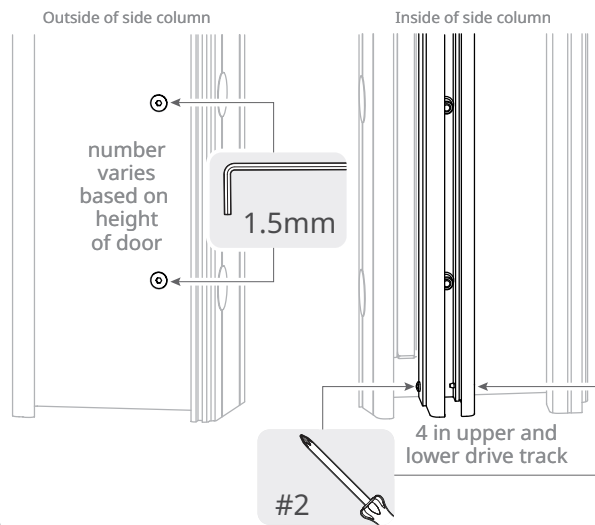
Wall anchors, and the tools required to tighten them, vary based on the installation site and the decision of the installer, **but must be** 1/2" diameter through bolts, 1/2" diameter threaded rods, or equivalent.

Make sure anchors do not interfere with moving parts of the door.

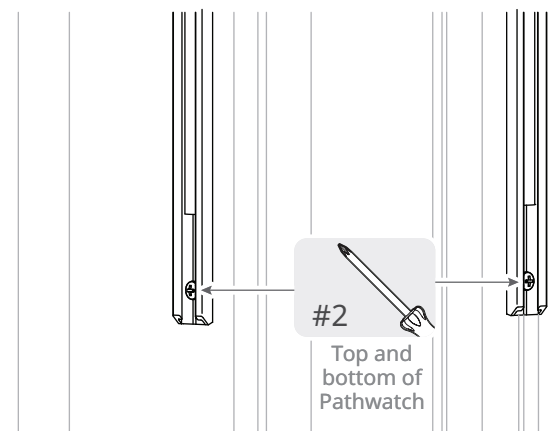
Contact Rytec technical support IMMEDIATELY at 800-628-1909 if any anchor points have not been secured, if the wall anchors do not meet specification, or you have an questions about the anchoring of the door.



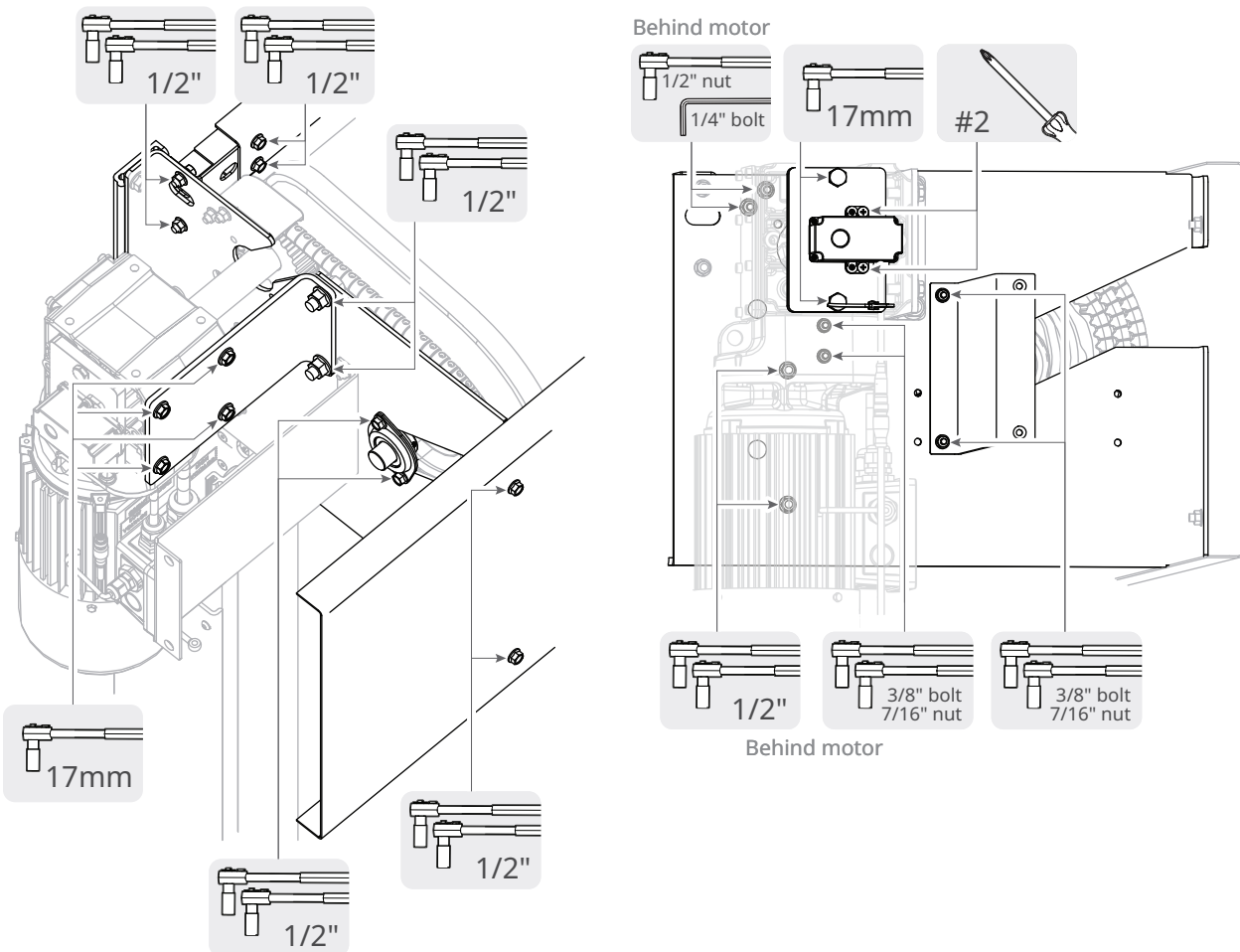
4 Inspect the hardware in the top and bottom rail guides in both side columns. **Tighten** if necessary.



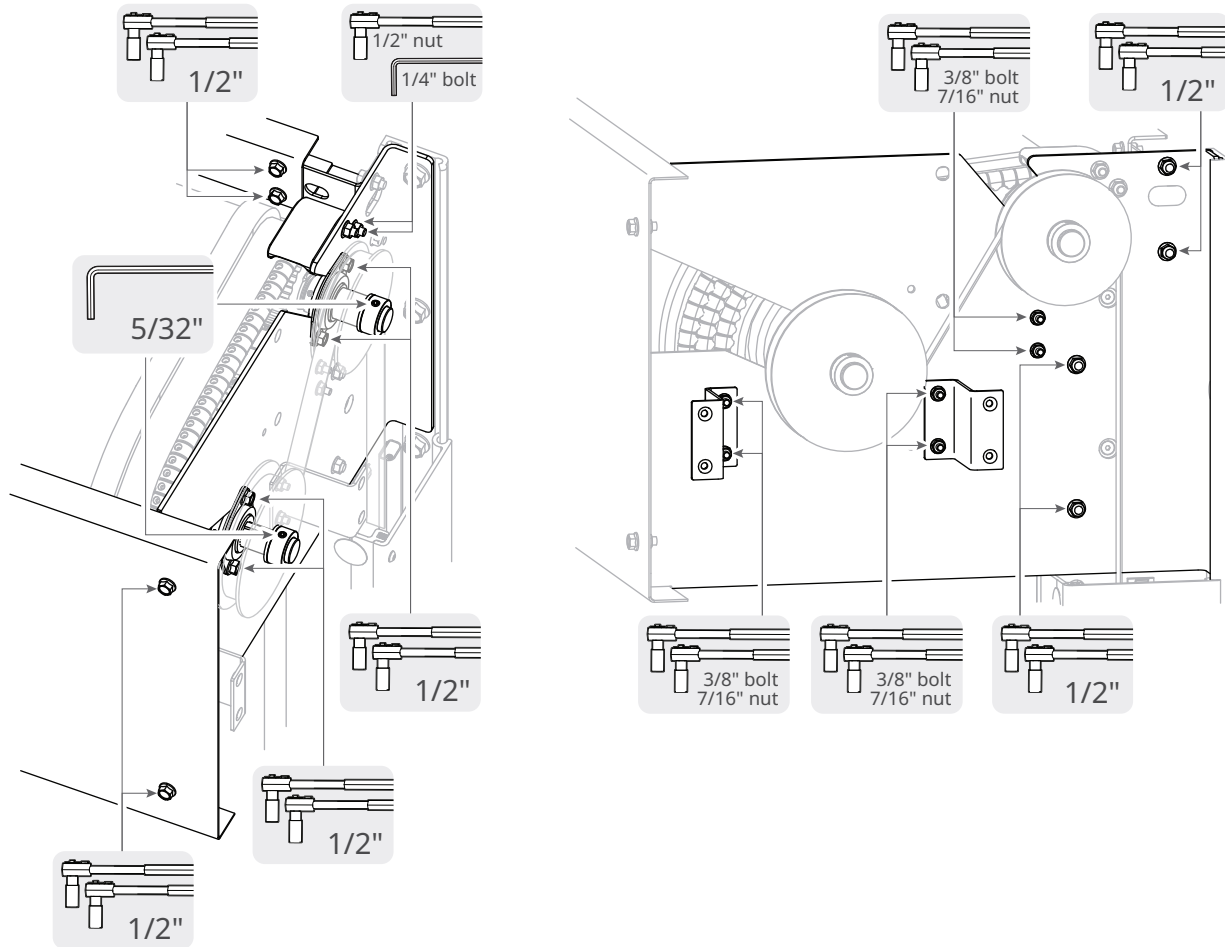
5 Inspect the hardware on the front and rear Pathwatch in both side columns. **Tighten** if necessary.



6 Inspect the hardware on the drive side of the head assembly. **Tighten** if necessary.



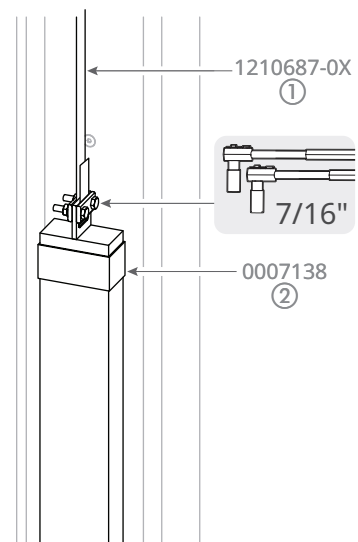
7 **Inspect** the hardware on the non-drive side of the head assembly.
Tighten if necessary.



8 **Inspect** the hardware on the counterweight, which is inside the non-drive side column.
Tighten if necessary.
Inspect the counterweight strap ① (1210687-0X) and the two Velcro straps ② (0007138) for wear and damage.

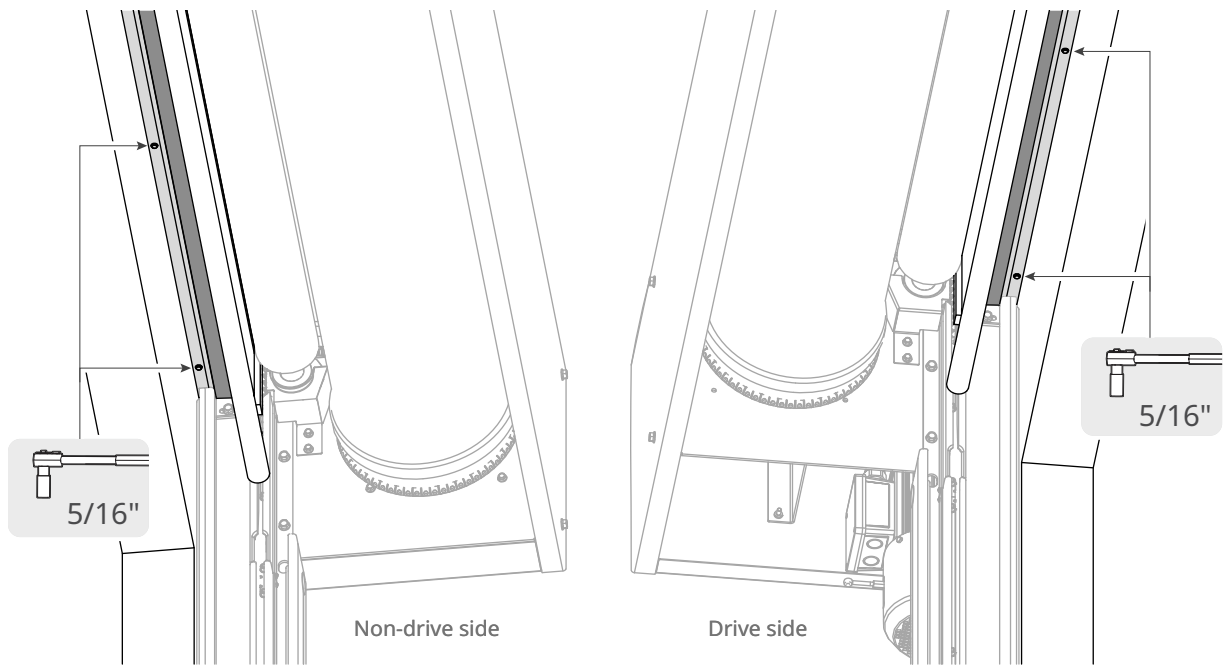
NOTICE

!IMPORTANT! Replace the counterweight strap if it shows signs of wear or damage. Contact Rytec technical support at 800-628-1909 for assistance or if you have any questions.



How to inspect the rear seal

- 1** **Inspect** the rear seal (dark gray) between the door panel and the wall. **Tighten** hardware if necessary. **Replace** seal if necessary.



- 2** The rear seal is a configured part. Locate the door serial number and call the Rytec parts department at **800-628-1909**.

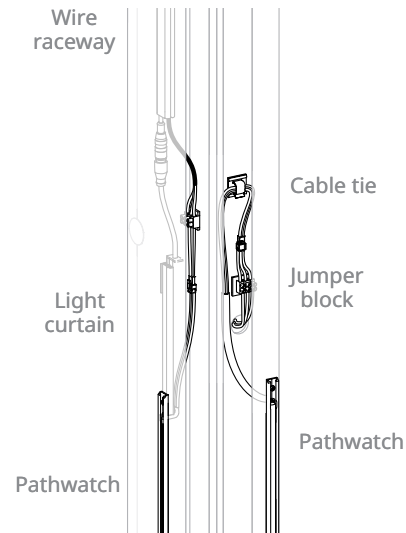
- 3** **Remove and retain** the six self-drilling screws. **Remove** rear seal. **Install** new seal using retained screws.

How to inspect the wiring

1 **Inspect** the connections to both Pathwatch LED strips and the light curtain in each side column (shown with side column walls partially transparent).

Make sure the connections are tight and the wires are not damaged.

Make sure the jumper blocks, wire raceways and cable ties are secure against the side column wall.

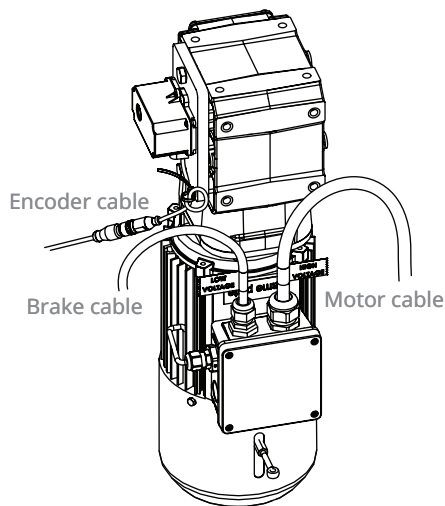


2 **Follow** the cables (black for Pathwatch, gray for the light curtain) up the side column. Cables travel in raceways that snap open and closed.

Follow the non-drive side cables across the rear spreader.

3 **Inspect** the motor cable (high voltage) and brake cable (low voltage) where they connect to the motor, and the cable from the encoder.

Make sure the connections are tight and the wires are not damaged.



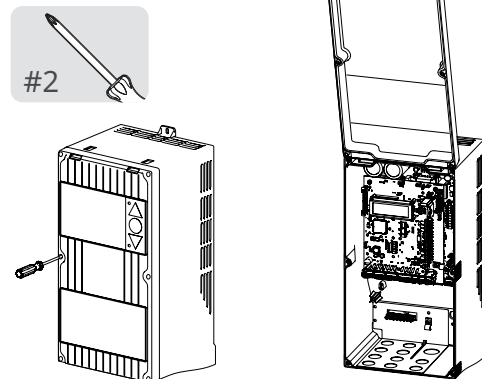
4 **Loosen** the six capture screws on the control box.

Flip open the hinged cover panel.

Inspect all terminal connections at the control board. **Tighten** if necessary.

NOTICE

Maximum torque for all controller screws is **2.5 in-lb.**

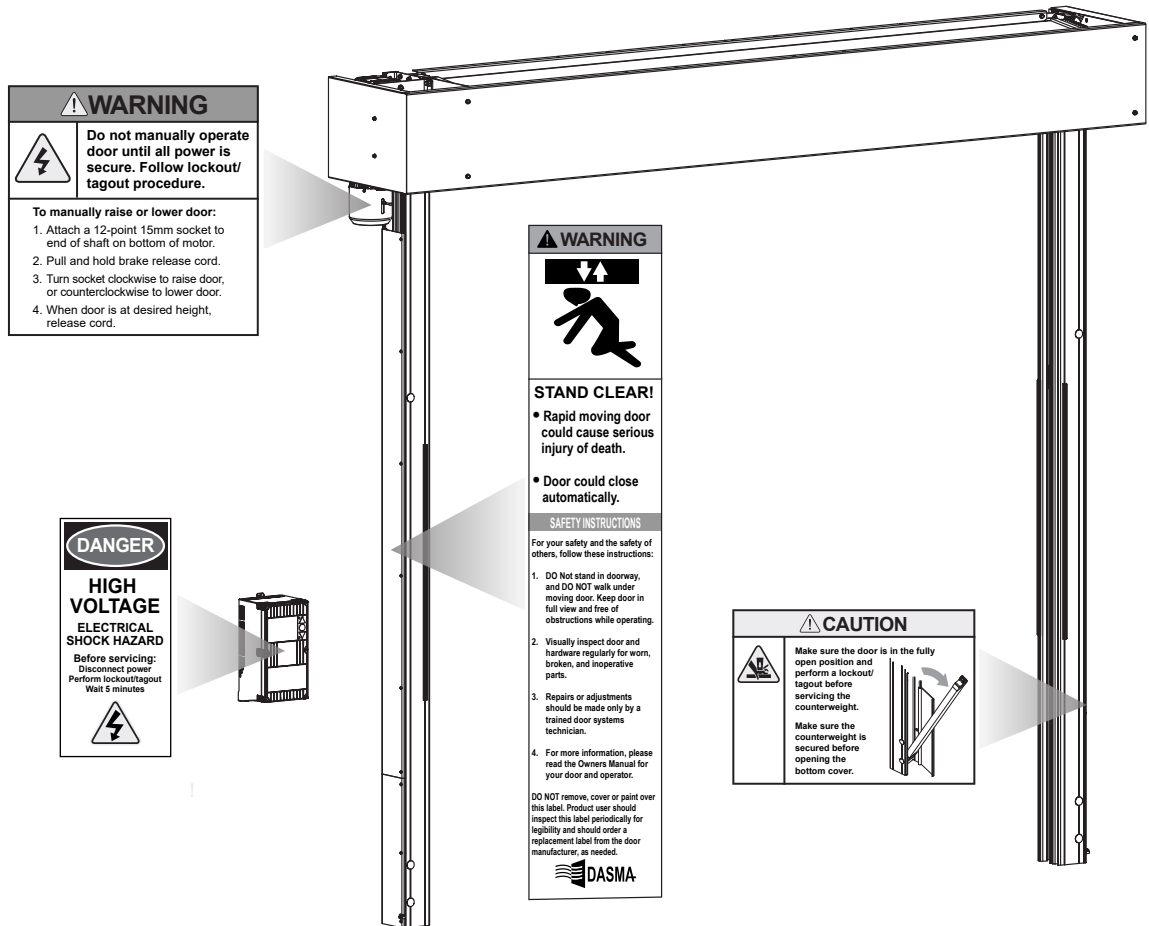


How to inspect the safety labels

1 There are three safety labels on this door: a DASMA label on the side column (depending on the configuration of the door, this can be the left side column or the right side column), a shock warning on the front of the System 4 control box, and a shock warning with instructions for manually moving the door on the bottom of the motor, next to the brake release lever.

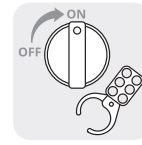
Make sure all three labels have no rips or tears, that they can be clearly seen, and that all text is readable.

Call Rytec technical support at **800-628-1909** if any of the labels need to be replaced.

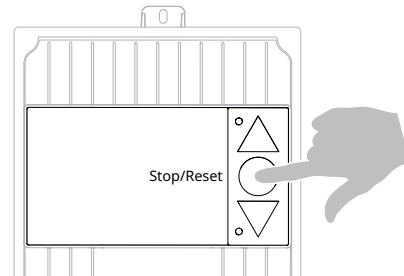


How to test the self repair system and inspect the drive teeth

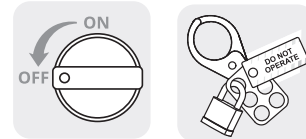
1 Restore power to the door.



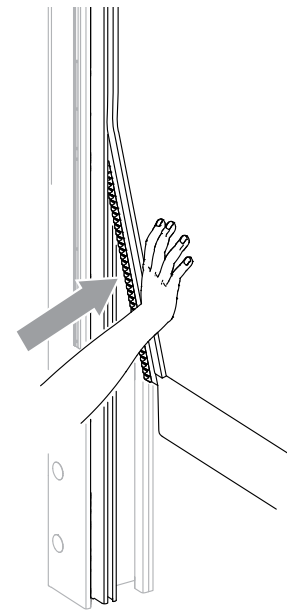
2 Lower the door to waist height, then press the Stop/Reset button.



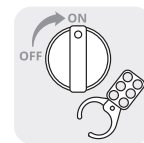
3 Disconnect power to the door to turn off the automatic self repair system.



4 Strike the door panel hard enough to push both sides out of the drive tracks.
Pull the door panel out of the drive track as high as it will freely go.
Stop pulling if you are within a foot of the top of the door opening.
Inspect the drive teeth on both sides for wear or damage.
Replace teeth if necessary.

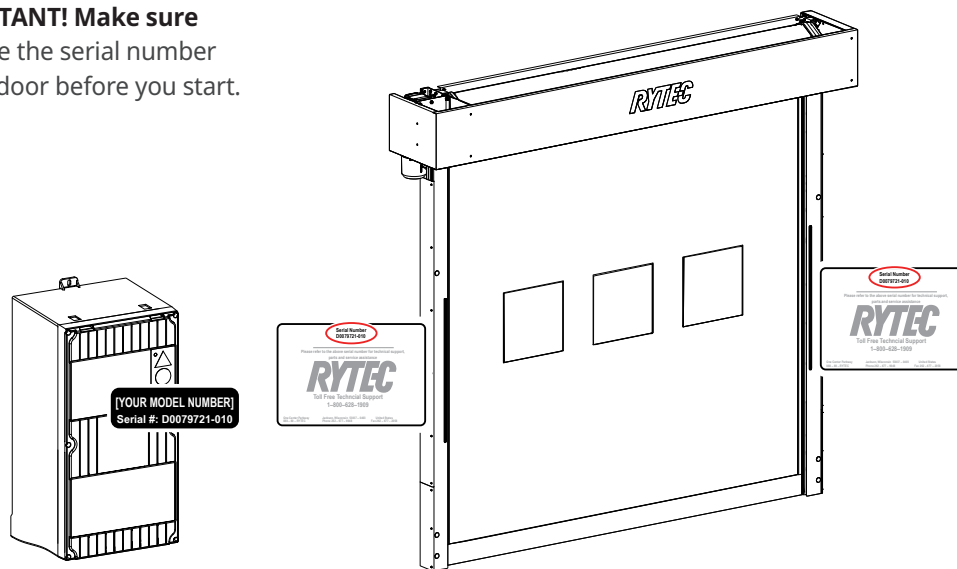


5 Restore power to the door.
Make sure the automatic self repair system starts and the door panel reinserts itself into both tracks by the time it has risen to the fully open position.



How to order parts

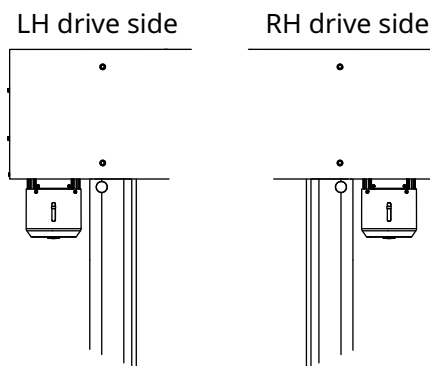
- 1** **!IMPORTANT! Make sure** you have the serial number of your door before you start.



Check next to the drive track inside both side columns, and on the control box, for labels showing the serial number.

!IMPORTANT! Make sure all numbers match. Tell the person you speak with if they do not.

- 2** **Look** at the head assembly of your door to see if the drive side is left hand (LH) or right hand (RH).



- 3** **Use** the parts lists on the following pages to find the part numbers and descriptions for the parts you need.

- 4** **Call** your local Rytec representative or Rytec technical support at **800-628-1909**. Enter #1 for technical support, #2 for the parts department.



NOTE: Rytec Corporation also has an online parts store at www.rytecdors.com.

- You must have a user account to access the site. Contact the Rytec parts department at **800-628-1909 Ext. 2** to request an account.
- The site stocks standard parts such as bearings, spools and encoders, as well as straps at precut lengths. Parts listed as "configured" in this manual **are not available** on the site.
- Some parts are available for next-day shipping.

How to return unwanted parts

- 1 Call the Rytec parts department at **800-628-1909 Ext. 2** for authorization.
 - The parts department will determine if you qualify for a **warranty return** or a **physical return**.
 - There may be a **restock fee** for the returned part.
 - There are restrictions on returns for **configured parts** that were built to match the specifications of your door.

Warranty return

- 1 Rytec will create a **Warranty Return Authorization (WRA)** and assign you an **incident number**.

- 2 **You will receive** replacement parts, a prepaid return label, and the WRA paperwork.

NOTE: Rytec may determine that it is not necessary to return the warranted parts in order to receive the replacement parts.

- 3 Use the box and prepaid label to return the warranted parts to Rytec **within 30 days of receiving the replacements**.
!IMPORTANT! You must include the WRA paperwork with the returned parts.

Physical return

- 1 Rytec will create a **Physical Return Authorization (PRA)** and assign you an **incident number**.

- 2 **You will receive** the return paperwork.

- 3 **Box and return** the parts.
!IMPORTANT! You must include the PRA paperwork with the returned parts.
Unless you are told otherwise by Rytec, shipping costs for a physical return **are your responsibility**. Call the Rytec parts department at **800-628-1909 Ext. 2** if you have any questions.

- 4 **When Rytec receives the parts**, we will inspect them. When we have determined the parts are in good working order, we will issue a refund to your account, or send a check by mail **within 30 days**.

Why you may be sent substitute parts

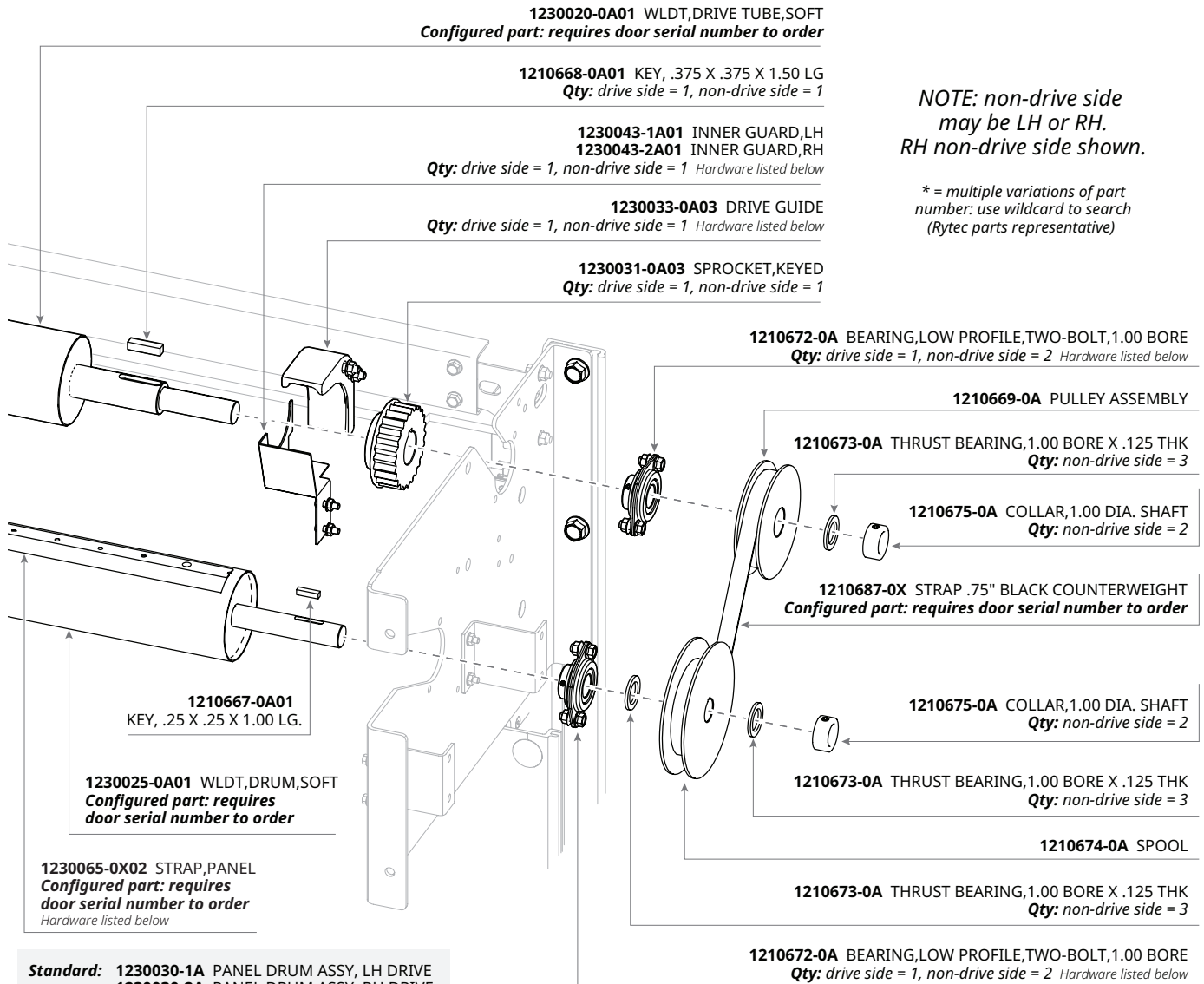
Many Rytec doors are custom engineered to meet the unique needs of the installation site, so the parts used for your door may be different from those shown in this manual.

If a part has been improved or updated since your installation, the new part will be substituted for the part ordered. The new part may have a revised part number.

Rytec Technical Knowledge Center

The Rytec Technical Knowledge Center, reached via the Customer Support page at **www.rytecdors.com**, holds manuals, service bulletins, and video presentations for all Rytec model doors.

Drive Components, Non-Drive Side *all doors*

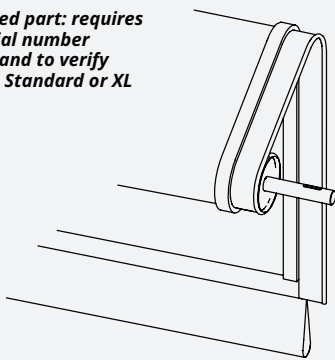


NOTE: non-drive side may be LH or RH. RH non-drive side shown.

* = multiple variations of part number: use wildcard to search (Rytec parts representative)

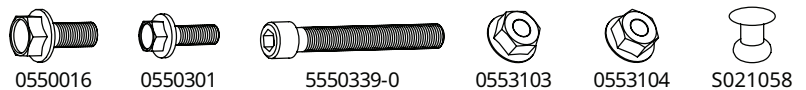
Standard: 1230030-1A PANEL DRUM ASSY, LH DRIVE
1230030-2A PANEL DRUM ASSY, RH DRIVE
T, XL: 1230124-1A PANEL DRUM ASSY, LH DRIVE
1230124-2A PANEL DRUM ASSY, RH DRIVE
Includes 1230067-0X or 1230125-0X Panel Assembly, 1230025-0A01, 1230065-0X02

Configured part: requires door serial number to order and to verify if door is Standard or XL



Hardware - Order Separately

Part Number	Hardware	Description	Qty
1210672-0A	0550301	5/16-18 x 34 Flanged Hex Bolt	2
	0553104	5/16-18 Flanged Hex Nut	2
1230033-0A03	5550339-0	5/16-18 x 2.25 Round Head Hex Bolt	2
	0553104	5/16-18 Flanged Hex Nut	2
1230043*	0550016	1/4-20 x 3/4 Flanged Hex Bolt	2
	0553103	1/4-20 Flanged Hex Nut	2
1230065-0X02	S021058	Rivet, 3/16 X .188-.250 Grip	



If no quantity is listed, quantity varies with configuration of part.

Drive Components, Drive Side *all doors*

NOTE: drive side may be LH or RH. LH drive shown.

1230020-0A01 WLDT,DRIVE TUBE,SOFT
Configured part: requires door serial number to order

** = multiple variations of part number: use wildcard to search (Rytec parts representative)*

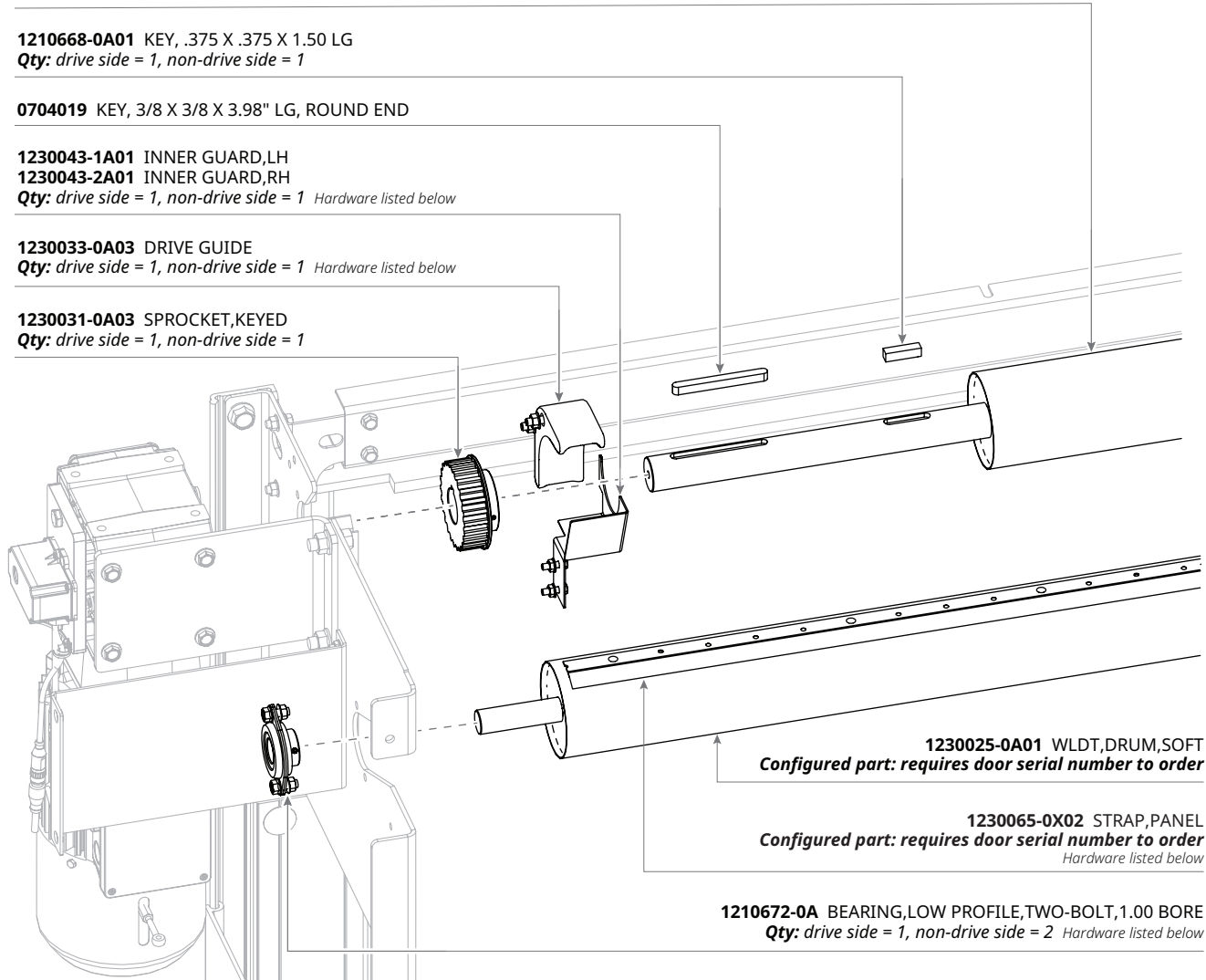
1210668-0A01 KEY, .375 X .375 X 1.50 LG
Qty: drive side = 1, non-drive side = 1

0704019 KEY, 3/8 X 3/8 X 3.98" LG, ROUND END

1230043-1A01 INNER GUARD,LH
1230043-2A01 INNER GUARD,RH
Qty: drive side = 1, non-drive side = 1 *Hardware listed below*

1230033-0A03 DRIVE GUIDE
Qty: drive side = 1, non-drive side = 1 *Hardware listed below*

1230031-0A03 SPROCKET,KEYED
Qty: drive side = 1, non-drive side = 1

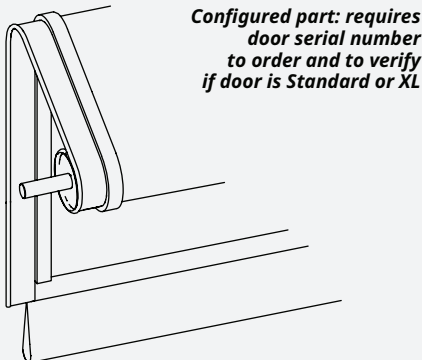


1230025-0A01 WLDT,DRUM,SOFT
Configured part: requires door serial number to order

1230065-0X02 STRAP,PANEL
Configured part: requires door serial number to order
Hardware listed below

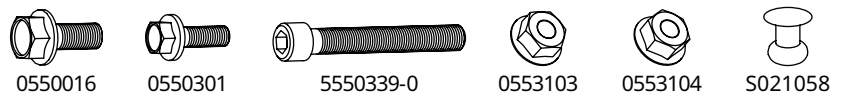
1210672-0A BEARING,LOW PROFILE,TWO-BOLT,1.00 BORE
Qty: drive side = 1, non-drive side = 2 *Hardware listed below*

Standard: **1230030-1A** PANEL DRUM ASSY, LH DRIVE
1230030-2A PANEL DRUM ASSY, RH DRIVE
T, XL: **1230124-1A** PANEL DRUM ASSY, LH DRIVE
1230124-2A PANEL DRUM ASSY, RH DRIVE
Includes 1230067-0X or 1230125-0X Panel Assembly, 1230025-0A01, 1230065-0X02



Hardware – Order Separately

Part Number	Hardware	Description	Qty
1210672-0A	0550301	5/16-18 x 34 Flanged Hex Bolt	2
	0553104	5/16-18 Flanged Hex Nut	2
1230033-0A03	5550339-0	5/16-18 x 2.25 Round Head Hex Bolt	2
	0553104	5/16-18 Flanged Hex Nut	2
1230043*	0550016	1/4-20 x 3/4 Flanged Hex Bolt	2
	0553103	1/4-20 Flanged Hex Nut	2
1230065-0X02	S021058	Rivet, 3/16 X .188-.250 Grip	



If no quantity is listed, quantity varies with configuration of part.

Head Assembly Brackets and Covers, Non-Drive Side *all doors*

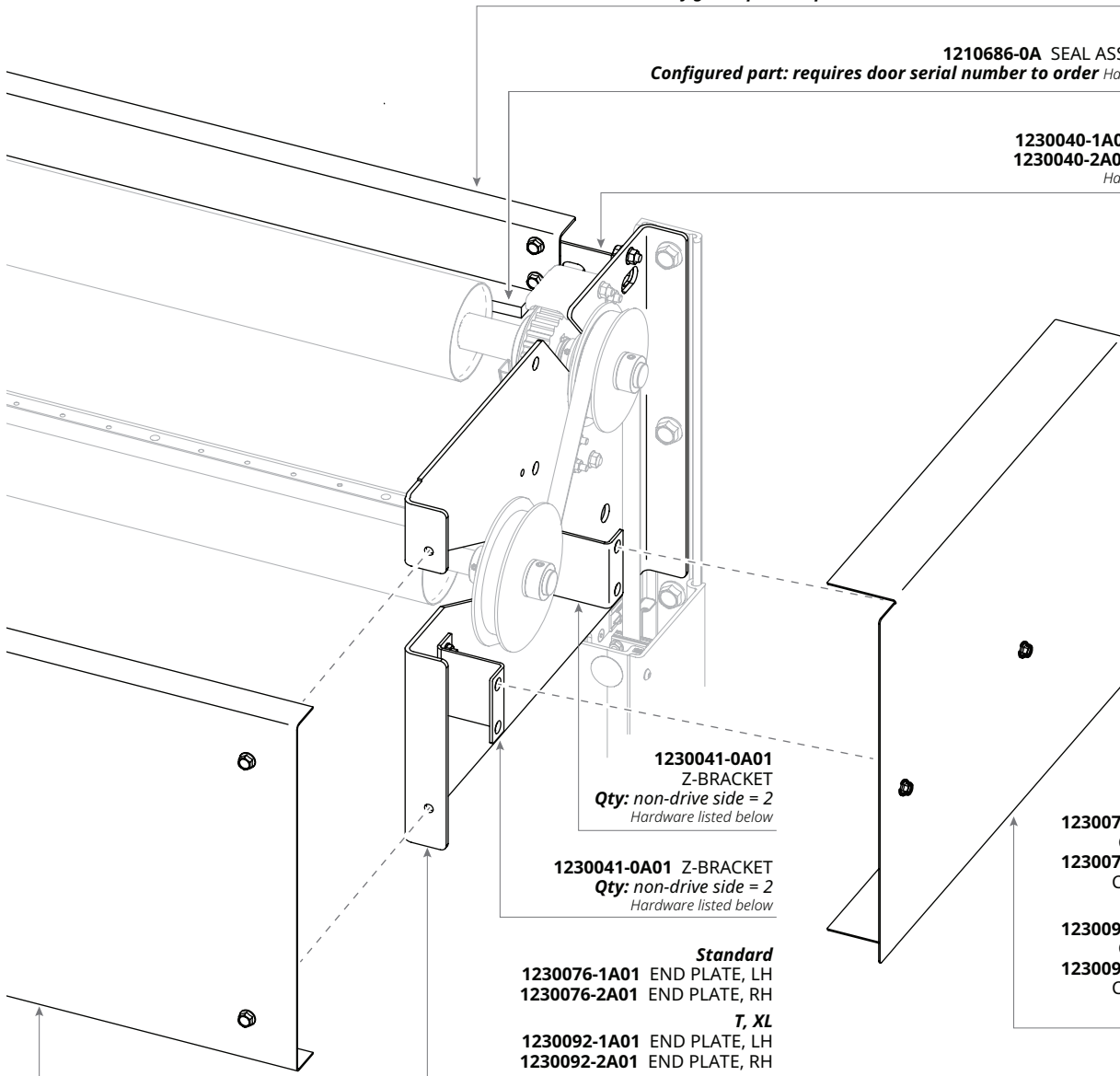
1230039-1A01 SPREADER, UPPER REAR, SOFT, LH DRIVE
1230039-2A01 SPREADER, UPPER REAR, SOFT, RH DRIVE

Configured part: requires door serial number to order Hardware listed below

1210686-0A SEAL ASSEMBLY, BRUSH

Configured part: requires door serial number to order Hardware listed below

1230040-1A01 BRACKET, LH
1230040-2A01 BRACKET, RH
Hardware listed below



1230041-0A01
 Z-BRACKET
 Qty: non-drive side = 2
Hardware listed below

1230041-0A01 Z-BRACKET
 Qty: non-drive side = 2
Hardware listed below

Standard
1230076-1A01 END PLATE, LH
1230076-2A01 END PLATE, RH

T, XL
1230092-1A01 END PLATE, LH
1230092-2A01 END PLATE, RH

Standard
1230078-1A01 END GUARD, COUNTERWEIGHT, LH
1230078-2A01 END GUARD, COUNTERWEIGHT, RH
T, XL
1230094-1A01 END GUARD, COUNTERWEIGHT, LH
1230094-2A01 END GUARD, COUNTERWEIGHT, RH
Hardware listed below

Standard: **1230074-1*** FRONT SPREADER, LH DRIVE
1230074-2* FRONT SPREADER, RH DRIVE

T, XL: **1230103-1*** FRONT SPREADER, LH DRIVE
1230103-2* FRONT SPREADER, RH DRIVE

Configured part: requires door serial number to order
Hardware listed below

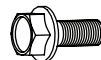
NOTE:
 non-drive side may be LH or RH.
 RH non-drive side shown.

Serial number required to verify
 if door is Standard or XL

* = multiple variations of part
 number: use wildcard to search
 (Rytec parts representative)

Hardware - Order Separately

Part Number	Hardware	Description	Qty
1230040*	0550301	5/16-18 x 34 Flanged Hex Bolt	4
	0553104	5/16-18 Flanged Hex Nut	4
1230041-1A01	0550016	1/4-20 x 3/4 Flanged Hex Bolt	2
	0553103	1/4-20 Flanged Hex Nut	2
1210686-0A	0551050	12-14 x 3/4 Self Drilling Screw	6
1230074*	0550301	5/16-18 x 34 Flanged Hex Bolt	4
1230078*	0550016	1/4-20 x 3/4 Flanged Hex Bolt	2



0550016



0553103



0551050



0550301



0553104

Head Assembly Brackets and Covers, Drive Side *all doors*

1210686-0A SEAL ASSEMBLY,BRUSH
Configured part: requires door serial number to order Hardware listed below

1230039-1A01 SPREADER,UPPER REAR,SOFT,LH DRIVE
1230039-2A01 SPREADER,UPPER REAR,SOFT,RH DRIVE
Configured part: requires door serial number to order

1230040-1A01 BRACKET,LH
1230040-2A01 BRACKET,RH Hardware listed below

1230032-0A01 BRACKET,MOTOR Hardware listed below

Standard: 1230077-0A01
T, XL: 1230093-0A01
 END GUARD, DRIVE-SIDE
 Hardware listed below

1230046-0A01 Z-BRACKET
 Hardware listed below

Standard: 1230076-1A01 END PLATE, LH
1230076-2A01 END PLATE, RH
T, XL: 1230092-1A01 END PLATE, LH
1230092-2A01 END PLATE, RH

Standard: 1230074-1* FRONT SPREADER,LH DRIVE
1230074-2* FRONT SPREADER,RH DRIVE
T, XL: 1230103-1* FRONT SPREADER,LH DRIVE
1230103-2* FRONT SPREADER,RH DRIVE
Configured part: requires door serial number to order
 Hardware listed below

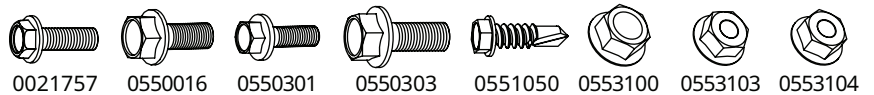
NOTE: drive side may be LH or RH.
 LH drive shown.

Serial number required to verify
 if door is Standard or XL

* = multiple variations of part
 number: use wildcard to search
 (Rytec parts representative)

Hardware – Order Separately

Part Number	Hardware	Description	Qty
1210686-0A	0551050	12-14 x 3/4 Self Drilling Screw	6
1230032-0A01	0021757	M10 x 1.5 x 30 Flanged Hex Bolt	4
	0550303	1/2-13 x 1-1/4 Flanged Hex Bolt	2
	0553100	1/2-13 Flanged Hex Nut	2
1230040-XA01	0550301	5/16-18 x 34 Flanged Hex Bolt	4
	0553104	5/16-18 Flanged Hex Nut	4
1230046-1A01	0550016	1/4-20 x 3/4 Flanged Hex Bolt	2
	0553103	1/4-20 Flanged Hex Nut	2
1230074*	0550301	5/16-18 x 34 Flanged Hex Bolt	4
1230077*	0550016	1/4-20 x 3/4 Flanged Hex Bolt	2



Door Panel and Rear Seal *all doors*

T, XL only:
0009176 RETAINER BRUSH
0009177 BRUSH, 3" TRIM
Configured parts: requires door serial number to order

1210686-0A SEAL ASSEMBLY,BRUSH
Configured part: requires door serial number to order
Hardware listed below

Standard: **1230030-1A** PANEL DRUM ASSY, LH DRIVE
1230030-2A PANEL DRUM ASSY, RH DRIVE
T, XL: **1230124-1A** PANEL DRUM ASSY, LH DRIVE
1230124-2A PANEL DRUM ASSY, RH DRIVE

*Includes 1230067-0X Panel Assembly,
 1230025-0A01 Drum Weldment,
 and 1230065-0X02 Panel Strap*
Configured part: requires door serial number to order

1210680-0A
 WINDOW ASSEMBLY,20" X 20"
Optional part: requires door serial number to order

1230067-0X PANEL ASSEMBLY
1230125-0X PANEL ASSEMBLY, FLEXTEC XL PW<=175
*Includes 1230060-0X Panel Weldment, 1210684-06 (2),
 1230070-0X, windows (if included), all drive teeth*
Configured part: requires door serial number to order

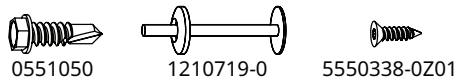
Standard: **1210684-0** FOAM STRIP,ADHESIVE BACKED,,38 X 1.00
T, XL: **1210769-0** FLEXIBLE PVC STRIP, ADHESIVE BACKED, 0.38 X 1.00
Requires door serial number to order; sold by the inch

1230061-0B
 DRIVE TOOTH,PANEL,FASTENED

1230070-0X
 ASSY,LOOP SEAL,CUT TO LENGTH
Configured part: requires door serial number to order

Hardware – Order Separately

Part Number	Hardware	Description	Qty
1210684-0	1210719-0	Rivet, Two-Piece, Plastic	1
1210686-0A	0551050	12-14 x 3/4 Self Drilling Screw	6
1230061-0B	5550338-0Z01	T10 Torx Screw	1
1230070-0X	1210719-0	Rivet, Two-Piece, Plastic	2



NOTE: serial number required to verify if door is Standard or XL

Motor and Encoder *all doors*

1170774-0
MOUNTING PLATE, FEIG ENCODER, ABM KG252
Hardware listed below

0005401 TIE, CABLE, PUSH STUD MTG.

00141030 SHAFT END, FOR FEIG ENCODER, SHORT

00111199 BATTERY, ENCODER, 3.67V, 1650

00141134 ENCODER, NON-WRLS, PIGTAIL
Hardware listed below

00141086
CABLE, ENCODER, M12, FEMALE, TYPE A, 8PIN, 15M

S703988 COUPLER SHAFT, FEIG CONTROLER, PD

5550015-0Z01 WASHER, 1.425 X .41 X .135

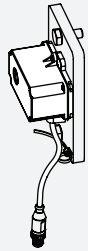
S554225 WASHER, 3/8 SPLIT LOCK, SS

1170767-0
ASSY, MTR, SYS 4, ABM
Configured part: requires door serial number to order

00142016
CABLE, 16 GA, 4 COND SHIELD, SEOWW, 600V, 90C (32 FT)

00142023
CORD GRIP, 3/4" NPT, 6 CONDUCTOR

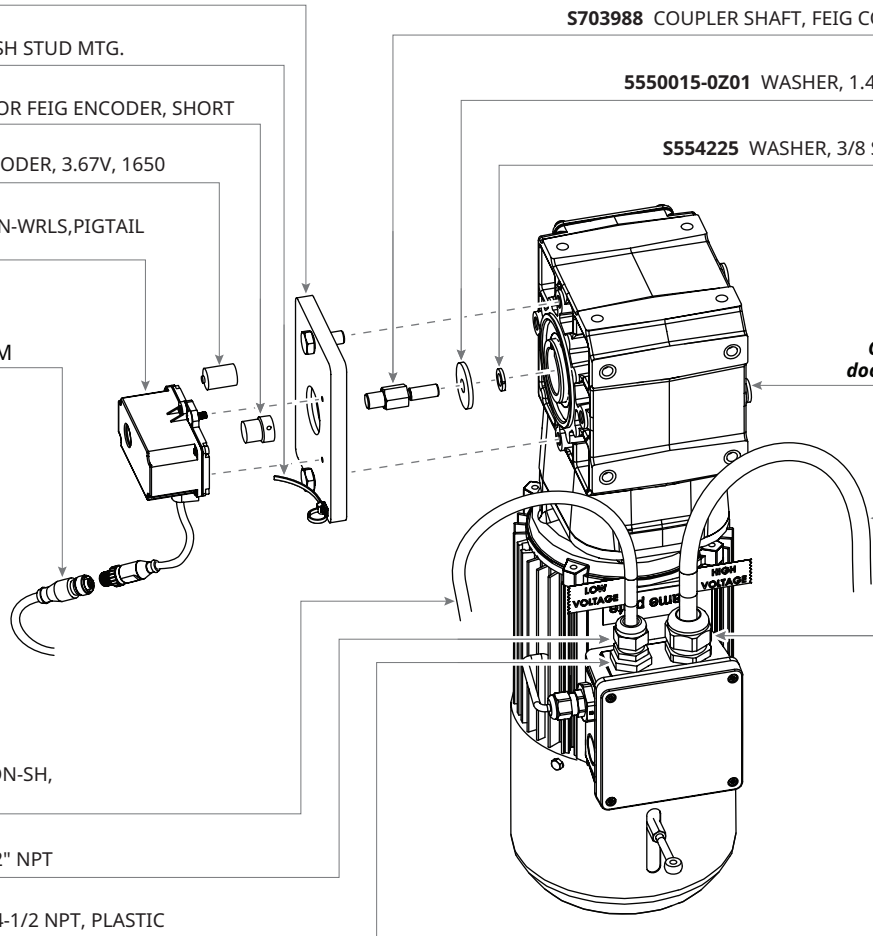
1060618-0
ENCODER ASSY, FEIG, ABM KG252
Includes 0005401, 00111199, 00141030, 00141134, 1170774-0, 01260320 (2), S550317 (2)



00142017
CABLE, 18 GA, 2 COND NON-SH, SEOWW, 600V, 90C (32 FT)

0014491 CORD GRIP, 1/2" NPT

1210623-0 REDUCER, 3/4-1/2 NPT, PLASTIC



Hardware - Order Separately

Part Number	Hardware	Description	Qty
1170774-0	01260320	M10 X 25 Hex Bolt	2
00141134	S550317	#10-24 Phillips Screw	2



01260320 S550317

Counterweight *all doors*

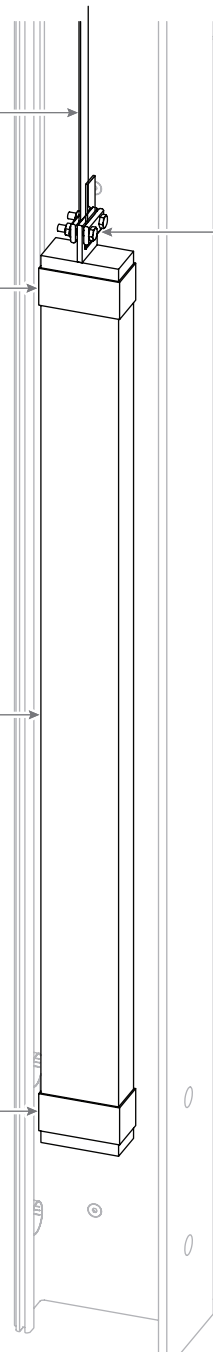
1210687-0X STRAP .75" BLACK COUNTERWEIGHT
Configured part: requires door serial number to order
Qty: 1

1230037-0A01 RETAINER
Qty: 2
Hardware listed below

0007138 VELCRO LOOP, 1.5" ADHESIVE BACK
Qty: 2

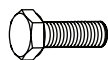
1230062-0A COUNTERWEIGHT ASSEMBLY
*Includes 0007128 (2), 0553003 (2), 0553103 (2),
 1230037-0A01 (2), 1230035-0A01*
Configured part: requires door serial number to order

0007138 VELCRO LOOP, 1.5" ADHESIVE BACK
Qty: 2



Hardware - Order Separately

Part Number	Hardware	Description	Qty
1230037-0A01	0553003	1/4-20 1-1/4 Hex Bolt	2
	0553103	1/4-20 Flanged Hex Nut	2



0550003



0553103

Side Column Framework *all doors*

Standard: 1230052-1X ASSY,SIDE COLUMN,LH
T, XL: 1230105-1X ASSY,SIDE COLUMN,LH
 Includes 0014497 (3), 1210685-0A (2 or 3), 1230005-2X0X,
 1230008-0Z03 or 1230009-0Z03X, 1230010-0, 555088-0 (4+)
Configured part: requires door serial number to order

Standard: 1230052-2X ASSY,SIDE COLUMN,LH
T, XL: 1230105-2X ASSY,SIDE COLUMN,LH
 Includes 0014497 (2), 1210685-0A (2 or 3), 1230005-2X0X,
 1230008-0Z03 or 1230009-0Z03X, 1230010-0, 555088-0 (4+)
Configured part: requires door serial number to order

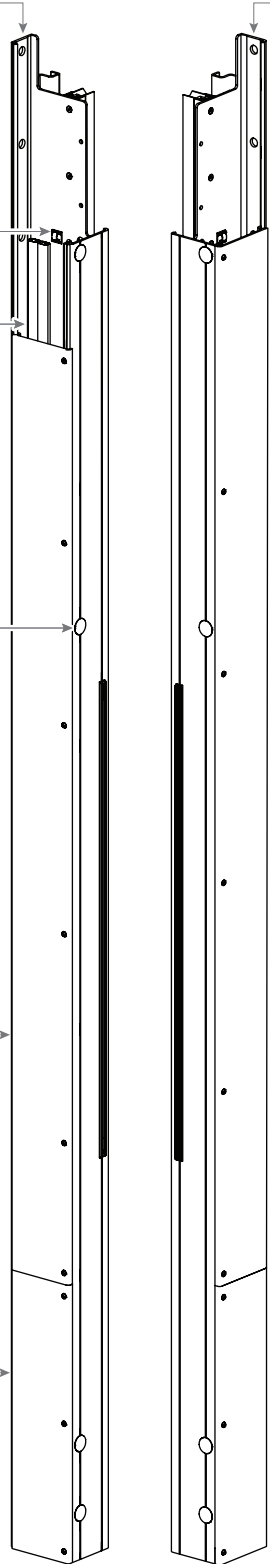
0014497 CABLE CLIP, ADHESIVE BACK
Qty: 4 per column

1210685-0A
 RACEWAY, NON-METALLIC,
 SURFACE MOUNT
Qty: drive side = 3, non-drive side = 2
Sold by inch

555088-0
 DOME PLUG, 1.25" DIA HOLE, .25" MAX WALL
Qty: 4 per column

1230008-0Z03
 MCHNG, SIDE COLUMN COVER, UPPER, DRIVE SIDE
1230009-0Z03
 MCHNG, SIDE COLUMN COVER, UPPER, NON-DRIVE
Configured part: requires door serial number to order
Qty: 1 per column
 Hardware listed above

1230010-0Z03 COVER, SIDE COLUMN, LOWER
Qty: 1 per column
 Hardware listed above



Hardware - Order Separately

Part No.	Hardware	Description	Qty
1230010-0	0021792	1/4-20 x 1/2 button head hex bolt	3
1230008-0Z03	0021792	1/4-20 x 1/2 button head hex bolt	
1230009-0Z03	0021792	1/4-20 x 1/2 button head hex bolt	
1230010-0Z03	0021792	1/4-20 x 1/2 button head hex bolt	3



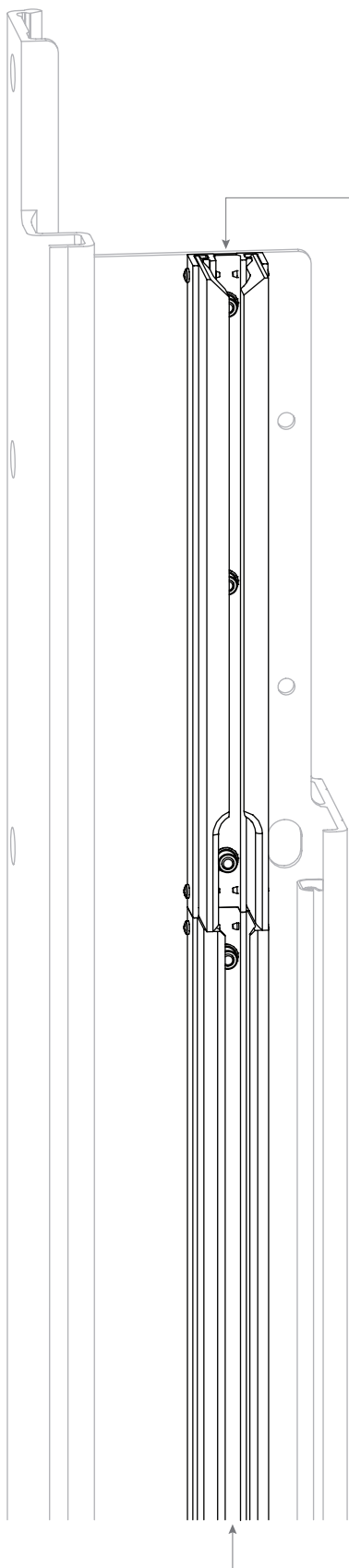
0021792

If no quantity is listed, quantity varies with configuration of part.

NOTE: columns shown are for LH drive side door

Serial number required to verify if door is Standard or XL

Side Column Drive Track *all doors*



Standard: 1230017-0Z03 ASSY, NON-BREAKAWAY TRACK
T, XL: 1230108-0Z03 ASSY, NON-BREAKAWAY TRACK
 Includes 1230015-0, 1230057-1, 1230057-2
Qty: 1 per column
 Hardware listed below

*NOTE: serial number required
 to verify if door is Standard or XL*

Hardware – Order Separately

Part Number	Hardware	Description	Qty
1230017-0Z03	0021778	1/4-20 x 0.027" Riv-nut	3
	0550235	#6-18 x 5/8 round Phillips head	4
	S021698	1/4-20 x 3/4 flat hex	3
1230016-0Z03	0021778	1/4-20 x 0.027" Riv-nut	
	0550235	#6-18 x 5/8 round Phillips head	4
	S021698	1/4-20 x 3/4 flat hex	



0021778 0550235 S021698

If no quantity is listed, quantity varies with configuration of part.

1230016-0Z03 ASSY, VERTICAL TRACK
 Includes 1230014-0, 1230063-0 (2)
Configured part: requires door serial number to order
Qty: 1 per column
 Hardware listed above

Side Column Safety Features *all doors*

00141086
CABLE,ENCODER,M12,FEMALE,TYPE A,8PIN,15M
Yellow connector

0012154
CABLE 4PIN STRAIGHT PE 15M 50'
Black connector

0014497 CABLE CLIP
Qty: 4 per column

00122023
LIGHT CURTAIN, RECEIVER, TST LGBE-C, 2087mm
00122033
LIGHT CURTAIN, RECEIVER, TST LGBE-D, 1537mm
00122035
LIGHT CURTAIN, RECEIVER, TST LGBE-E, 987mm
Black connector
Requires door serial number:
part number based on height of door

00122022
LIGHT CURTAIN, TRANS, TST LGBS-C, 2087mm
00122032
LIGHT CURTAIN, TRANS, TST LGBS-D, 1537mm
00122034
LIGHT CURTAIN, TRANS, TST LGBS-E, 987mm
Gray connector
Requires door serial number:
part number based on height of door

1210224-0
LED TERMINAL BLOCK PREWIRE ASSEMBLY
Includes 00111219, 00121178, 00141094
Qty: 2 per side column

00141094 CABLE 4 CONDUCTOR

00111219
TERMINAL BLOCK,
TUBULAR SCREW, 3 POLE

00121178
LIGHT STRIP TAIL 3" RED/YL/BK

1230058-0C TRACK CLIP,LIGHT CURTAIN,2077mm
1230058-0D TRACK CLIP,LIGHT CURTAIN,1527mm
1230058-0E TRACK CLIP,LIGHT CURTAIN,977mm
Requires door serial number:
part number based on height of door

1210180-0
CORRUGATED LOOM TUBING
SLIT,.25",BLACK

1210173-0 LED WARNING STRIP KIT
Qty: 2 per side column *Hardware listed below*

*NOTE: light curtain transmitter
and receiver may be LH or RH.
Check label on module.*

Hardware - Order Separately

Part Number	Hardware	Description	Qty
1210173-0	0021679	6-18 x 3/8 round head Phillips	2

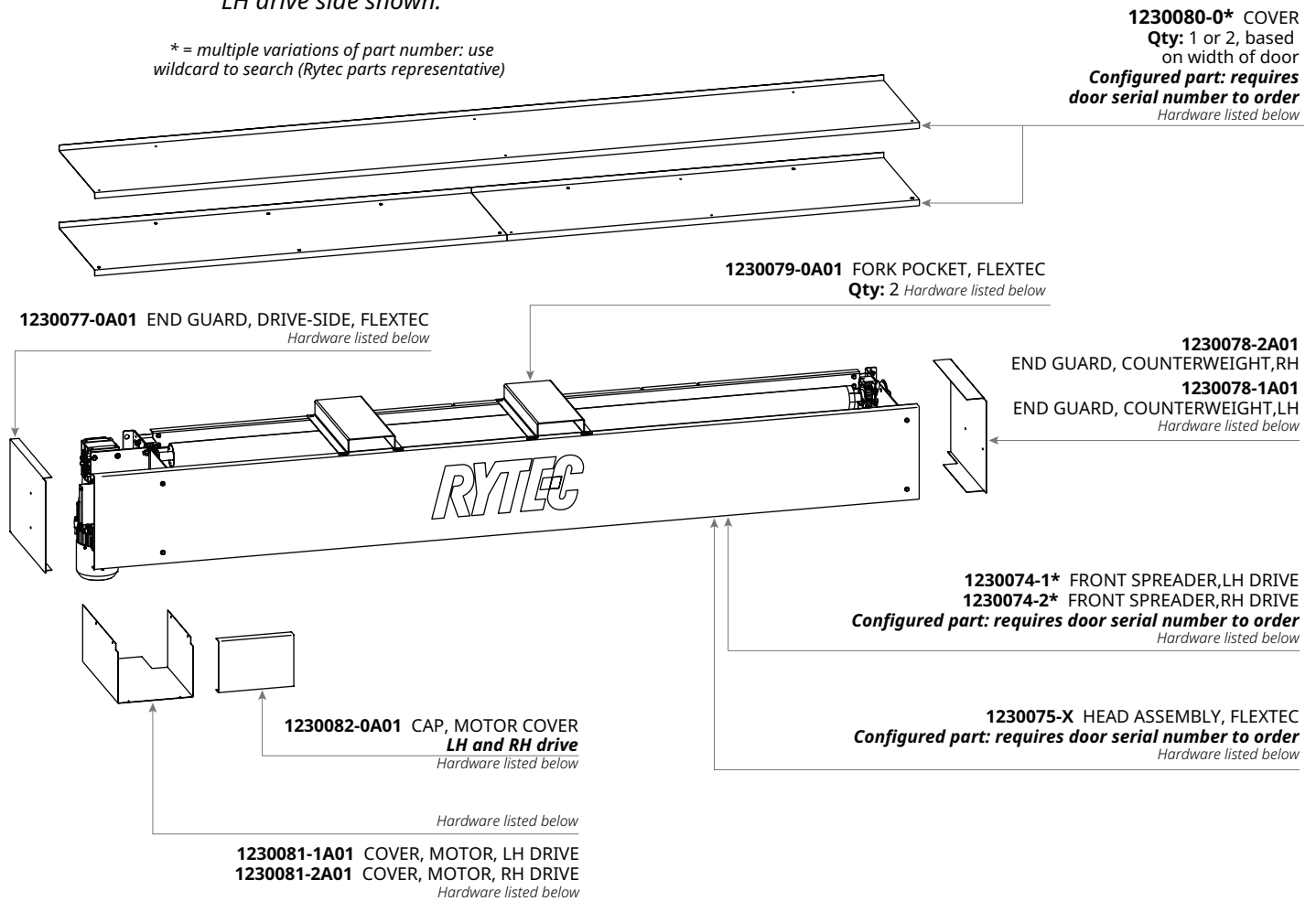


Head Assembly and Hood Components *Standard doors*

Serial number required to verify if door is Standard or XL

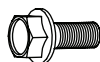
NOTE: drive side may be LH or RH.
LH drive side shown.

* = multiple variations of part number: use wildcard to search (Rytec parts representative)



Hardware - Order Separately

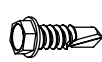
Part Number	Hardware	Description	Qty
1230074*	0550301	5/16-18 x 34 Flanged Hex Bolt	4
	0553104	5/16-18 Flanged Hex Nut	4
1230075-X	0550301	5/16-18 x 34 Flanged Hex Bolt	4
	0553104	5/16-18 Flanged Hex Nut	4
1230077-0A01	0550016	1/4-20 x 3/4 Flanged Hex Bolt	2
1230078*	0550016	1/4-20 x 3/4 Flanged Hex Bolt	2
1230079-0A01	0550301	5/16-18 x 34 Flanged Hex Bolt	4
	0553104	5/16-18 Flanged Hex Nut	4
1230080-0*	0551050	#12-14 x 3/4 Self-Drilling Screw	4
1230081*	0551050	#12-14 x 3/4 Self-Drilling Screw	4
1230082-0A01	0551050	#12-14 x 3/4 Self-Drilling Screw	2



0550016



0550301



0551050



0553103



0553104

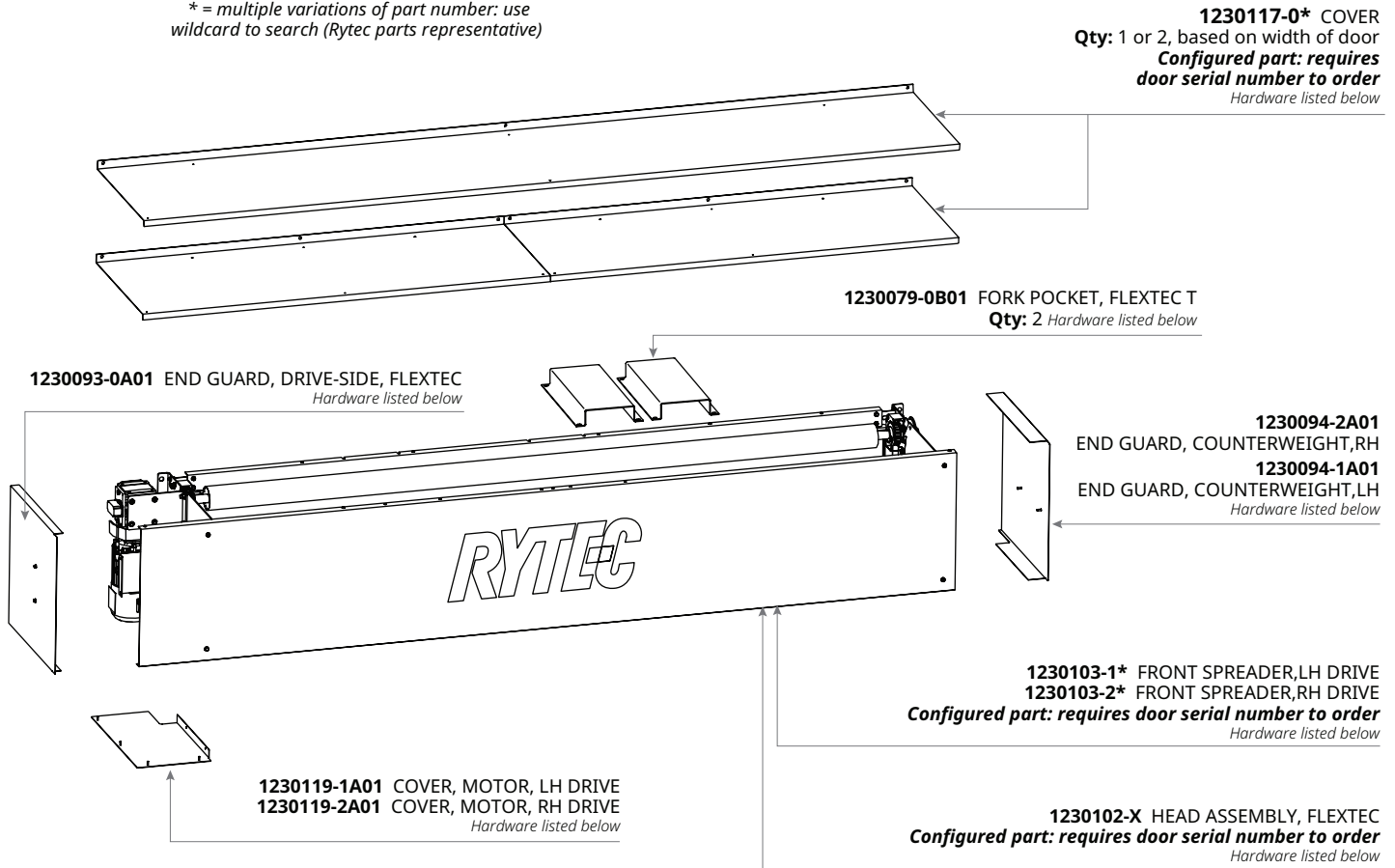
If no quantity is listed, quantity varies with configuration of part.

Head Assembly and Hood Components *T* and *XL* doors

Serial number required to verify if door is Standard or XL

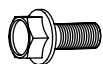
NOTE: drive side may be LH or RH.
LH drive side shown.

* = multiple variations of part number: use wildcard to search (Rytec parts representative)



Hardware - Order Separately

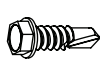
Part Number	Hardware	Description	Qty
1230074*	0550301	5/16-18 x 34 Flanged Hex Bolt	4
	0553104	5/16-18 Flanged Hex Nut	4
1230075-X	0550301	5/16-18 x 34 Flanged Hex Bolt	4
	0553104	5/16-18 Flanged Hex Nut	4
1230077-0A01	0550016	1/4-20 x 3/4 Flanged Hex Bolt	2
1230078*	0550016	1/4-20 x 3/4 Flanged Hex Bolt	2
1230079-0B01	0550301	5/16-18 x 34 Flanged Hex Bolt	4
	0553104	5/16-18 Flanged Hex Nut	4
1230080-0*	0551050	#12-14 x 3/4 Self-Drilling Screw	
1230081*	0551050	#12-14 x 3/4 Self-Drilling Screw	4
1230082-0A01	0551050	#12-14 x 3/4 Self-Drilling Screw	2



0550016



0550301



0551050



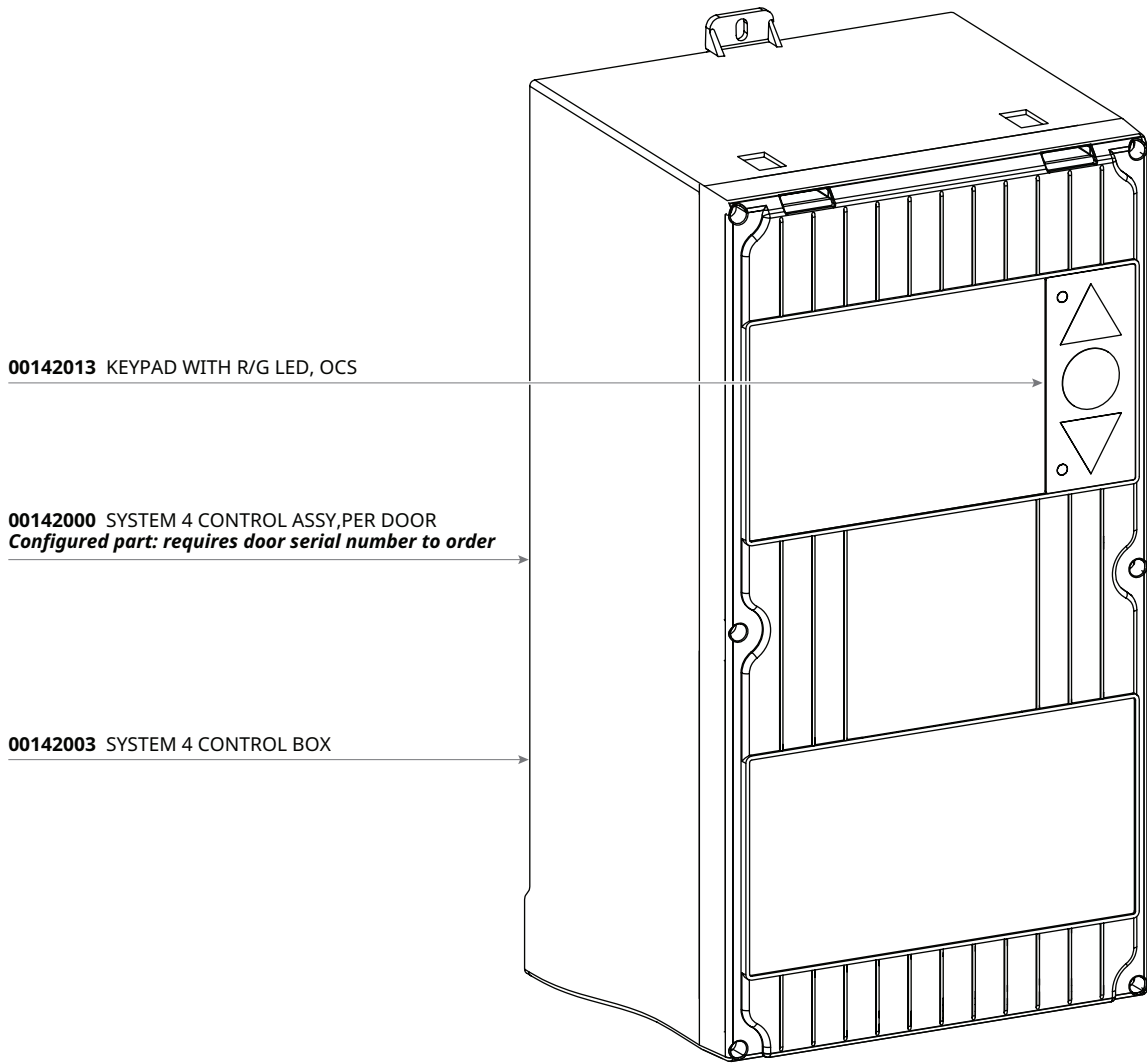
0553103



0553104

If no quantity is listed, quantity varies with configuration of part.

System 4 Controller and accessories *all doors*



00142013 KEYPAD WITH R/G LED, OCS

00142000 SYSTEM 4 CONTROL ASSY,PER DOOR
Configured part: requires door serial number to order

00142003 SYSTEM 4 CONTROL BOX

00142020 USB DRIVE



00142015 BATTERY,BUTTON CELL,CR2032,3V LITHIUM



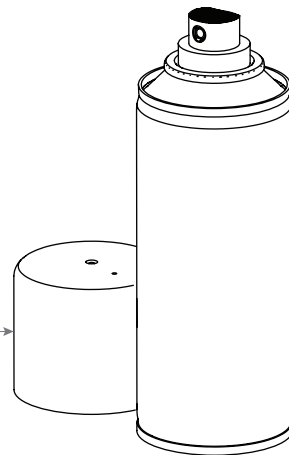
00112023 FERRITE FILTER, SMALL
Qty: 3



00112001 FERRITE FILTER, LARGE
Qty: 2



1210590-0
AEROSOL CAN 12 OZ PAINT, RYTEC SILVER



FLEXTEC LIMITED WARRANTY

Rytec Corporation ("Seller"), an Illinois corporation with its principal place of business at One Cedar Parkway, PO Box 403, Jackson, WI 53037, warrants to the original registered end-user commercial purchaser ("Buyer") that the FlexTec ("Product") sold to the Buyer will be free of defects in materials and workmanship (ordinary wear and tear excepted) for the time periods set forth below:

For doors with a production width up to 12' (twelve feet):

- **Mechanical components** are covered to the first of either Five (5) Years or 1,000,000 Cycles from the date of shipment of the Product from the Seller's plant ("Shipment").

For doors with a production width greater than 12' (twelve feet):

- **Mechanical components** are covered for a period of Two (2) Years from the date of shipment of the Product from the Seller's plant ("Shipment").

For all doors:

- **Electrical components** for a period of Two (2) Years from Shipment.
- **Standard door 1 Ply Rylon™ panel** for a period of Five (5) Years from Shipment.
- **Brush Seal, Counterweight Strap, Vinyl Loop Seal, Vision Windows, Take up strips**, are considered wear items and are not covered under this Limited Warranty.
- **Aftermarket parts, accessories and assemblies** for a period of ninety (90) days from the date of Shipment.

Remedies Seller's obligation under this Limited Warranty is limited to repairing or replacing, at Seller's option, any part which is determined by Seller to be defective during the applicable warranty period. Such repair or replacement shall be the Seller's sole obligation and the Buyer's exclusive remedy under this Limited Warranty.

Labor Except in the case of aftermarket parts, accessories and assemblies, labor is warranted for one year. This means that Seller will provide warranty service without charge for labor in the first year of the warranty period. Thereafter, a charge will apply in to any repair or replacement under this Limited Warranty. In the case of aftermarket parts, accessories and assemblies, Seller will provide replacement parts only.

Claims Claims under this Limited Warranty must be made (i) within 30 (thirty) days after discovery and (ii) prior to expiration of the applicable warranty period. Claims shall be made in writing delivered to the Seller at the address provided in the first paragraph of this warranty. Buyer must allow Seller and Dealer, or their agents, a reasonable opportunity to inspect any Product claimed to be defective and shall, at Seller's option, either (x) grant Seller and Dealer or their agents access to Buyer's premises for the purpose of repairing or replacing the Product or (y) return of the Product to the Seller, f.o.b. Seller's factory.

Original Buyer This Limited Warranty is made to the original Buyer of the Product and is not assignable or transferable. This Limited Warranty shall not be altered or amended except in a written instrument signed by Buyer and Seller.

Not Warranted Seller does not warrant against and is not responsible for, and no implied warranty shall be deemed to cover, damages that result directly or indirectly from: (i) the unauthorized modification or repair of the Product, (ii) damage due to misuse, neglect, accident, failure to provide necessary maintenance, or normal wear and tear of the Product, (iii) failure to follow Seller's instructions for installation, operation or maintenance of the Product, (iv) use of the Product in a manner that is inconsistent with Seller's guidelines or local building codes, (v) movement, settling, distortion, or collapse of the ground, or of improvements to which the Products are affixed, (vi) fire, flood, earthquake, elements of nature or acts of God, riots, civil disorder, war, or any other cause beyond the reasonable control of Seller, (vii) improper handling, storage, abuse, or neglect of the Product by Buyer or by any third party.

DISCLAIMERS OF LIABILITY THIS WARRANTY IS EXCLUSIVE AND IN LIEU OF ALL OTHER REPRESENTATIONS AND WARRANTIES, EXPRESS OR IMPLIED, AND THE SELLER EXPRESSLY DISCLAIMS AND EXCLUDES ANY IMPLIED WARRANTIES OF MERCHANTABILITY OR FITNESS FOR PURPOSE. SELLER SHALL NOT BE SUBJECT TO ANY OTHER OBLIGATIONS OR LIABILITIES, WHETHER ARISING OUT OF BREACH OF CONTRACT, WARRANTY, TORT (INCLUDING NEGLIGENCE AND STRICT LIABILITY) OR OTHER THEORIES OF LAW, WITH RESPECT TO THE PRODUCTS SOLD OR SERVICES RENDERED BY THE SELLER, OR ANY UNDERTAKINGS, ACTS, OR OMISSIONS RELATING THERETO.

LIMITATION IN NO EVENT WILL SELLER BE RESPONSIBLE FOR, OR LIABLE TO ANYONE FOR, SPECIAL, INDIRECT, COLLATERAL, PUNITIVE, INCIDENTAL, OR CONSEQUENTIAL DAMAGES, EVEN IF SELLER HAS BEEN ADVISED OF THE POSSIBILITY OF SUCH DAMAGES. Such excluded damages include, but are not limited to, personal injury, damage to property, loss of goodwill, loss of profits, loss of use, cost of cover with any substitute product, interruption of business, or other similar indirect financial loss.

Product Descriptions Any description of the Products, whether in writing or made orally by the Seller or the Seller's agents, including specifications, samples, models, bulletins, drawings, diagrams, engineering or similar materials used in connection with the Buyer's order, are for the sole purpose of identifying the Product and shall not be construed as an express warranty. Any suggestions by the Seller or the Seller's agents regarding the use, application, or suitability of the Product shall not be construed as an express warranty unless confirmed to be such in writing by the Seller.

Limited Warranty Void This Limited Warranty shall be void in its entirety if:
 (a) The Product is modified in a manner not approved in writing by Seller; or
 (b) Buyer fails to maintain the Product in accordance with instructions contained in the Owner's Manual for the Product.
 © Rytec Corporation 06.02.2016

WARRANTY

Owner's Manual

FlexTec™ Doors



Copyright © Free Vector Maps.com



P.O. Box 403
One Cedar Parkway
Jackson, WI 53037

Ph: 262-677-9046
Fx: 262-677-2058

www.rytecdors.com
helpdesk@rytecdors.com

For original Rytec parts

www.rytecparts.com
Parts@rytecdors.com